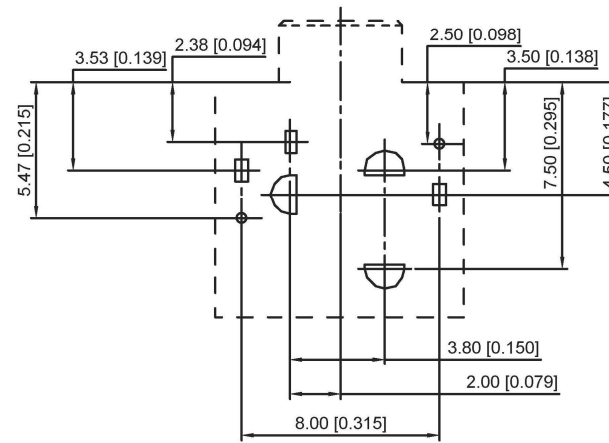
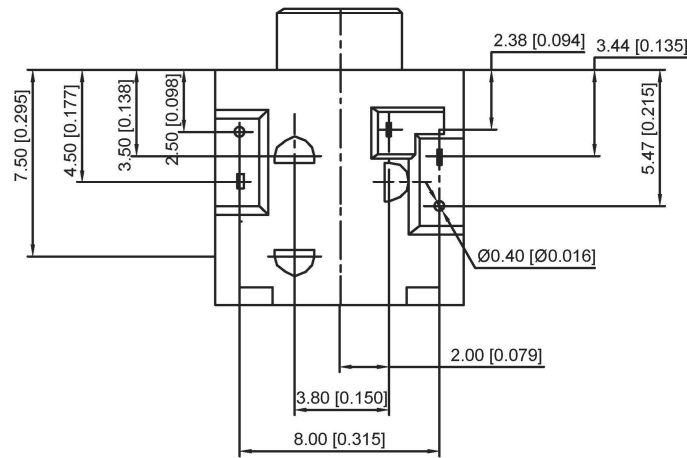




SCHEMATIC



P.C.B LAYOUT

				ANGLAR	±5°	 SWITCH CONNECTOR	DSND		SCALE: N/A	MODEL TYPE: ERAPHONE SOCKET		
				L ≤ 4	±0.2		DWN		VIEW: 	PART NO.: PJ-204		
				4 < L ≤ 16	±0.3		CHKD		UNIT: mm/in	DWG NO.:		
				16 < L ≤ 63	±0.4		APPD		SIZE: A4			
				L > 63	±0.5							
REVISIONS				UNSPECIFIED TOLERANCES								
DATE				REVISED	APPROVED	KE SI DA ELECTRONIC TECHNOLOGY CO., LTD						
WWW.BODONGKAIGUAN.NET				WWW.CKJACK.COM	WWW.KSDKG.COM	WEIGHT				SHEET	REVISION	
								1/1				A0