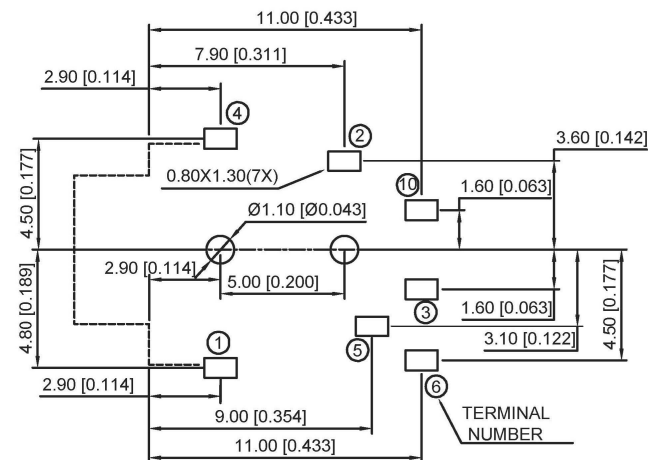


MODEL NO.	PJ-3020	PJ-3021	PJ-3022	PJ-3023
SCHMATIC				



PCB LAYOUT  
(BOTTOM VIEW)

				ANGLAR	±5°	 <b>KSD</b> SWITCH CONNECTOR	DSND		SCALE: N/A	MODEL TYPE: 3.5 PHONE JACK		
				L ≤ 4	±0.2		DWN		VIEW:	PART NO.: PJ-302X		
				4 < L ≤ 16	±0.3		CHKD		UNIT: mm/in	DWG NO.:		
				16 < L ≤ 63	±0.4		APPD		SIZE: A4			
REVISIONS				DATE	REVISED	APPROVED	UNSPECIFIED TOLERANCES			WEIGHT	SHEET	REVISION
WWW.BODONGKAIGUAN.NET				WWW.CKJACK.COM		WWW.KSDKG.COM		KE SI DA ELECTRONIC TECHNOLOGY CO., LTD			1/1	A0