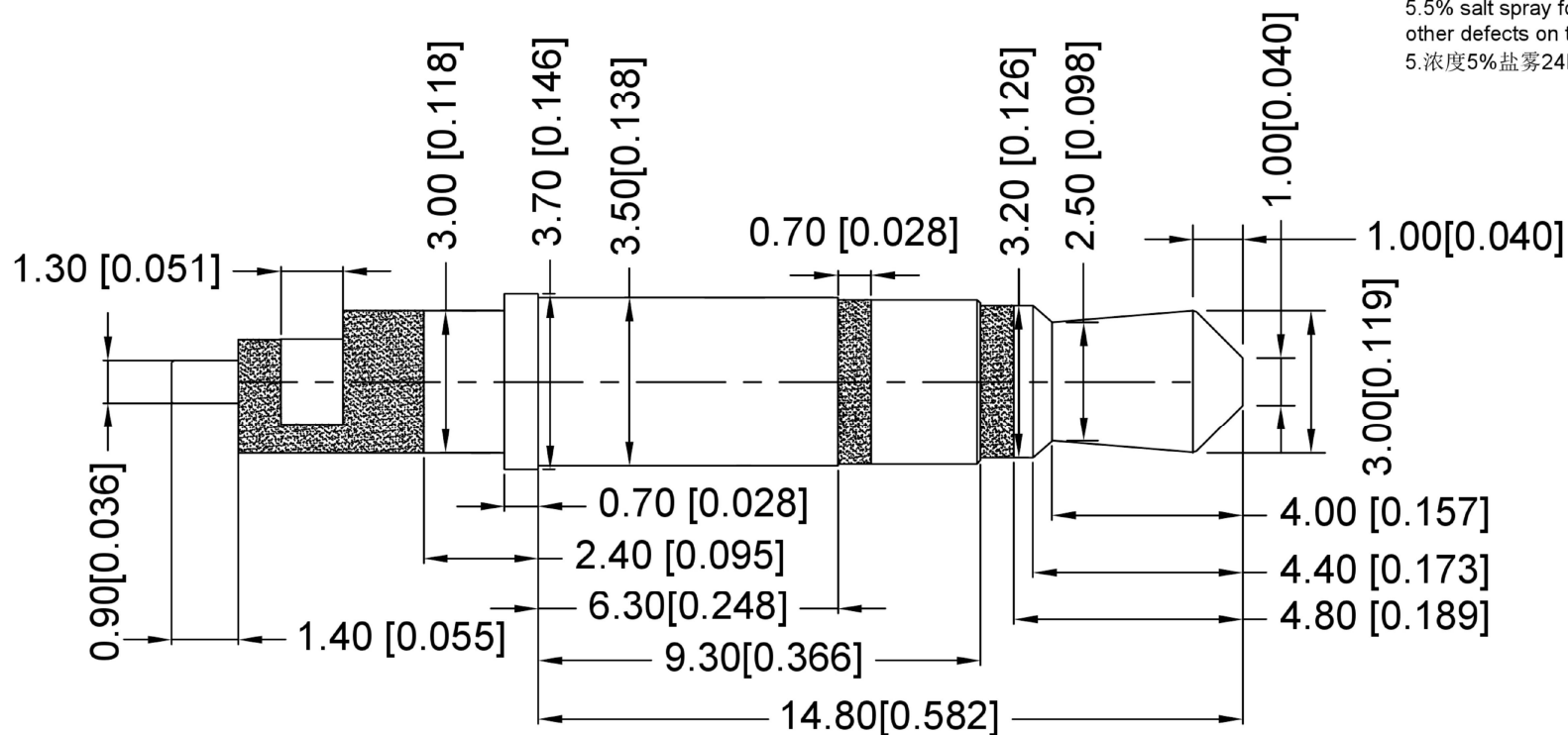


technical standard:

技术标准:

- 1.Appearance: the surface of all parts shall be clean without rust, burr, crack or other mechanical damage
1. 外观: 各部件表面应清洁,不得有锈蚀、毛刺、裂纹或其他机械损伤。
- 2.Insulation endurance: each conductor shall be able to withstand Ac500V for 1 minute without current breakdov and arcing
2. 绝缘耐力: 各导体间应能受AC500V,1分钟的作用,而无电流击穿和飞弧现象
3. Insulation resistance: above DC 500 V, 100m Ω
3. 绝缘电阻: 在 DC 500 V, 100MΩ以上
4. Contact resistance value: the maximum contact resistance between conductors is 30m Ω
4. 接触抵抗值: 各导体间的接触电阻最大为30mΩ.
5. 5% salt spray for 24h without erythema, oxidation and other defects on the surface
5. 浓度5%盐雾24H表面而无红斑及氧化等不良。



				ANGLAR	±5°	DSND		SCALE: N/A	MODEL TYPE: ERAPHONE SOCKET			
				L ≤ 4	±0.2	DWN		VIEW:	PART NO.: PT-35373J148B			
				4 < L ≤ 16	±0.3	CHKD		UNIT: mm/in	DWG NO.:			
				16 < L ≤ 63	±0.4	APPD		SIZE: A4				
				L > 63	±0.5				WEIGHT	SHEET	REVISION	
REVISIONS				UNSPECIFIED TOLERANCES		KE SI DA ELECTRONIC TECHNOLOGY CO., LTD			1/1	A0		
DATE				APPROVED		WWW.BODONGKAIGUAN.NET			WWW.CKJACK.COM		WWW.KSDKG.COM	