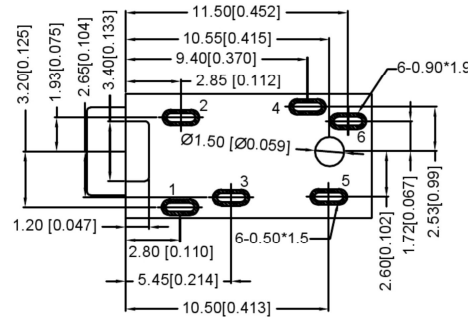
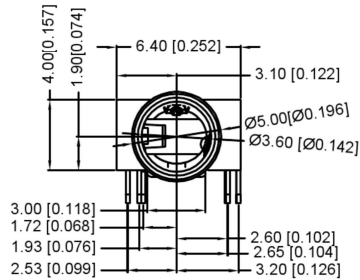
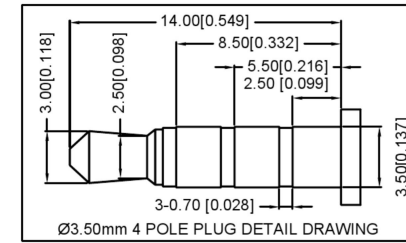
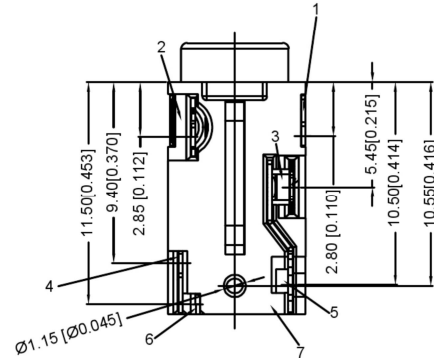
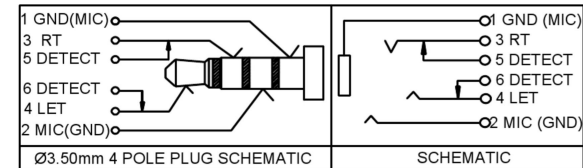


3D VIEW



P.C.B LAYOUT TOP VIEW



ITEM	NAME	QTY	MATERIAL	DESCRIPTION
7	HOUSING	1	PAST	
6	TERMINAL5	1	Phosphor Bronze	COPPER ALLOY; NICKEL UNDER PLATING OVERALLGOLD PLATING ON SOLDER AREA; GOLD PLATIN G ON CONTACT AREA
5	TERMINAL4	1	Phosphor Bronze	
4	TERMINAL4	1	Phosphor Bronze	
3	TERMINAL3	1	Phosphor Bronze	COPPER ALLOY; NICKEL UNDER PLATING OVERALLGOLD PLATING ON SOLDER AREA; GOLD PLATIN G ON CONTACT AREA
2	TERMINAL2	1	Phosphor Bronze	
1	TERMINAL1	1	Phosphor Bronze	COPPER ALLOY; THE BOTTOM O F THE NICKEL; THE WHOLE GOLD PLAT

- 触点额定电流: 1A
 1. CONTACT CURRENT RATING: 1A.
 接触电阻: 最大50 mΩ
 2. CONTACT RESISTANCE: 50 mΩ MAX.;
 绝缘电阻: 100MQMIN
 3. INSULATION RESISTANCE: 100MQ MIN..
 耐介质: 500V AC最小值
 4. DIELECTRIC WITHSTANDING: 500V AC MIN..
 寿命: 至少5000次循环
 5. DURABILITY: 5,000 CYCLES MIN..
 接头配合力: 最大30N
 6. CONNECTOR MATING FORCES: 30N MAX..
 连接器未接合力: 3N MIN
 7. CONNECTOR UNMATING FORCES: 3N MIN.;

REVISIONS				DATE	REVISED	APPROVED	UNSPECIFIED TOLERANCES	DSND	SCALE: N/A	MODEL TYPE:		
							ANGULAR ±5°	DWN <td>VIEW: </td> <td>PART NO.: PJ-3420</td>	VIEW:	PART NO.: PJ-3420		
							L ≤ 4 ±0.2	CHKD <td>UNIT: mm/in <td>DWG NO.:</td> </td>	UNIT: mm/in <td>DWG NO.:</td>	DWG NO.:		
							4 < L ≤ 16 ±0.3	APPD <td>SIZE: A4 <td></td> </td>	SIZE: A4 <td></td>			
							16 < L ≤ 63 ±0.4					
							L > 63 ±0.5					
WWW.BODONGKAIGUAN.NET WWW.CKJACK.COM WWW.KSDKG.COM								KE SI DA ELECTRONIC TECHNOLOGY CO., LTD		WEIGHT	SHEET	REVISION
										1/1	A0	