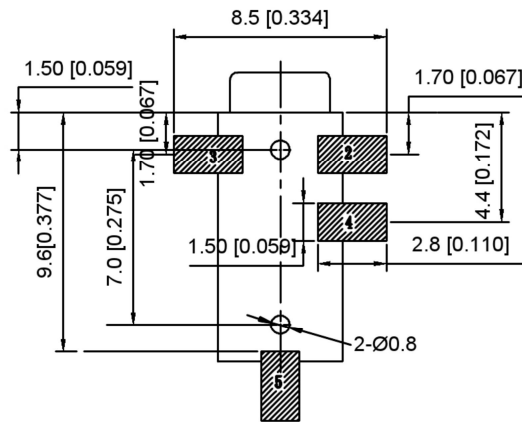
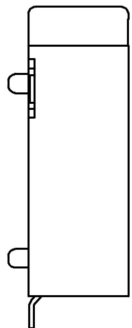
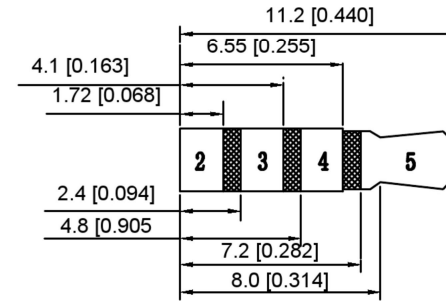
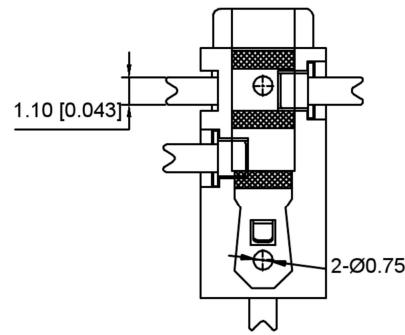
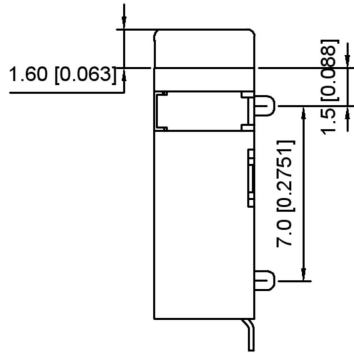
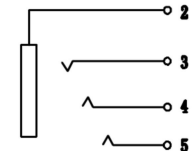
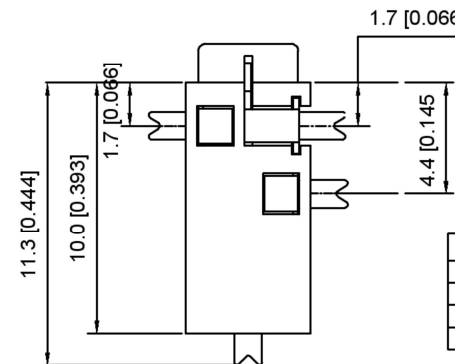


NOTES


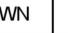
- 注释
 1. VOLTAGE RATING: 30V DC
 额定电压: 30V DC
 2. CONTACT CURRENT RATING: 0.5A
 触点额定电流: 0.5A
 3. CONTACT RESISTANCE: 30 mΩ MIN.
 接触电阻: 最大 30 mΩ
 4. INSULATION RESISTANCE: 100MΩ MAX.
 绝缘电阻: 最大 100MΩ
 5. DIELECTRIC WITHSTANDING: 36V AC MIN.
 耐介质电压: 500V AC MIN.
 6. INSTRING: 3-20N
 插拔力: 3-20N
 7. TEMPERATURE RANGE: -30°C-70°C
 工作温度: -30°C-70°C
 LIFE: 5000次 CYCLES
 寿命: 5000次循环



P.C.B LAYOUT TOP VIEW



	MATERIAL	PLATING
terminal1	Phosphor Bronze	AG
terminal2	Phosphor Bronze	AG
terminal3	Phosphor Bronze	AG
	Plastic ppA	

				ANGLAR	±5°	 SWITCH CONNECTOR	DSND		SCALE: N/A	MODEL TYPE: ERAPHONE SOCKET		
				L ≤ 4	±0.2		DWN		VIEW: 	PART NO.: PJ-218A2-SMT		
				4 < L ≤ 16	±0.3		CHKD		UNIT: mm/in	DWG NO.:		
				16 < L ≤ 63	±0.4		APPD		SIZE: A4			
				L > 63	±0.5							
REVISIONS				UNSPECIFIED TOLERANCES		KE SI DA ELECTRONIC TECHNOLOGY CO., LTD				WEIGHT	SHEET	REVISION
DATE											1/1	A0
WWW.BODONGKAIGUAN.NET				WWW.CKJACK.COM								
WWW.KSDKG.COM												