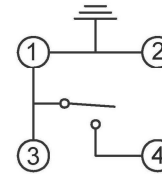
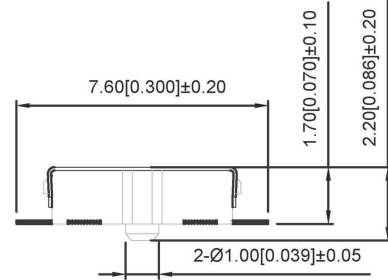
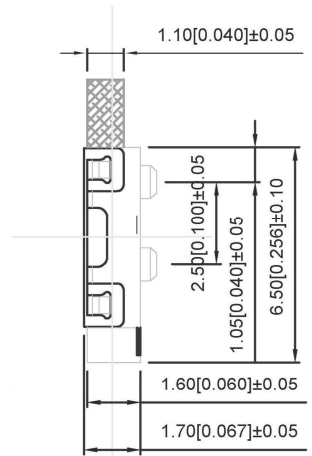
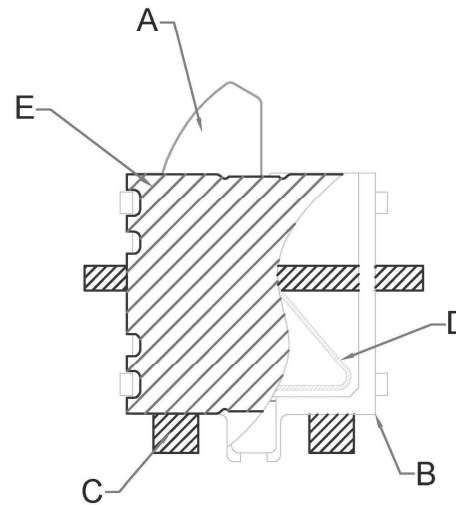
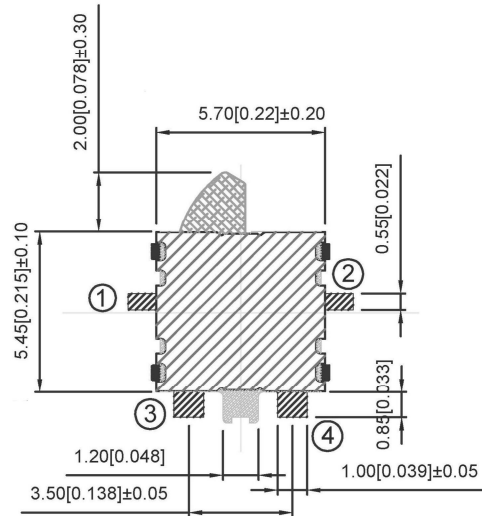
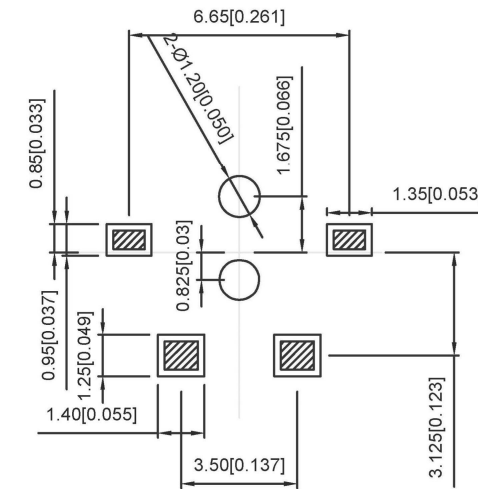


Rated range:50mA DC12V
 Insulation resistance:≥100MΩmin (DC100V)
 Contact resistance:≤300mΩ
 Compressive strength:AC100V(50/60Hzfof1minute)
 Mechanical life:50000 cycles
 Operating temperature:-10℃~+60℃
 Operation strength:50±30gf



PCB



E	lid	1	SUS	silvery white
D	Shrapnel	1	Silver copper	silvery white
C	Solder patch	1	Phosphor bronze	silvery white
B	base	1	PA66	black
A	Button	1	PA66	black
ITEM	PAPT NAMF	QTY	Material	colour

				ANGLAR	±5°	 SWITCH CONNECTOR	DSND		SCALE: N/A	MODEL TYPE: DETECT SWITCH		
				L ≤ 4	±0.2		DWN		VIEW:	PART NO.: TM-1627B		
				4 < L ≤ 16	±0.3		CHKD		UNIT: mm/in	DWG NO.:		
				16 < L ≤ 63	±0.4		APPD		SIZE: A4			
				L > 63	±0.5							
REVISIONS				UNSPECIFIED TOLERANCES		KE SI DA ELECTRONIC TECHNOLOGY CO., LTD				WEIGHT	SHEET	REVISION
WWW.BODONGKAIGUAN.NET				WWW.CKJACK.COM							1/1	A0