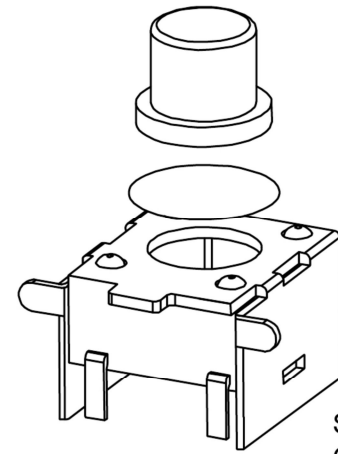
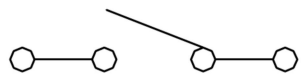
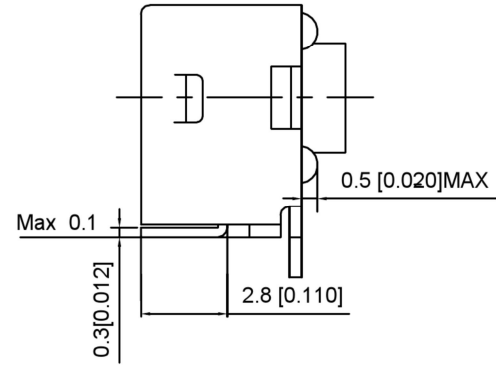
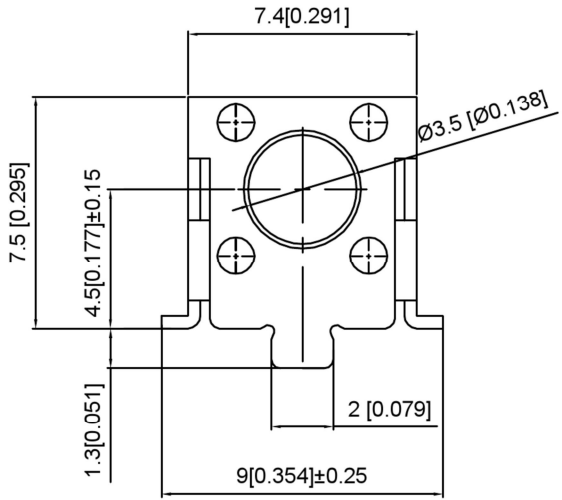


P.C.B MOUNTING HOLES



SPECIFICATION

Contact Rating: 50mA, 12V DC  
 Contact Resistance: 100mΩ max  
 Insulation Resistance: 100mΩ min.500V DC  
 Dielectric Strength: 250V AC/1minute  
 Travel: 0.25mm  
 Operating Temp: -30°C~+85°C  
 Storage Temp: -30°C~+80°C



CIRCUIT DIAGRAM

Code-x	H
A	4.3
B	4.5
C	5.0
D	5.5
E	6.0
F	6.5
G	7.0

PAPT NO	TS-1103US-X-X
Operating Force	B:160gf C:260gf
Height	Code-x

ITEM	PAPT NAMF	TER,NO	QTY	MATERIAL	FINISHING	REMARK
⑤	Terminal	—	2	Brass (0.30t)	Plating silvering	—
④	Contact	—	1	F.ag/Sus	Natural	—
③	Base	—	1	Pa46		—
②	Cover	—	1	Spcc	Plating Nickel	—
①	Keystake	—	1	Pa46		—

				ANGLAR	±5°		DSND		SCALE: N/A	MODEL TYPE: TACT SWITCH		
				L ≤ 4	±0.2		DWN		VIEW:	PART NO.: TS-1103US-X-X		
				4 < L ≤ 16	±0.3		CHKD		UNIT: mm/in	DWG NO.:		
				16 < L ≤ 63	±0.4		APPD		SIZE: A4			
				L > 63	±0.5							
DATE	REVISED	APPROVED		UNSPECIFIED TOLERANCES			KE SI DA ELECTRONIC TECHNOLOGY CO., LTD			WEIGHT	SHEET	REVISIC
WWW.BODONGKAIGUAN.NET WWW.CKJACK.COM WWW.KSDKG.COM											1/1	A0