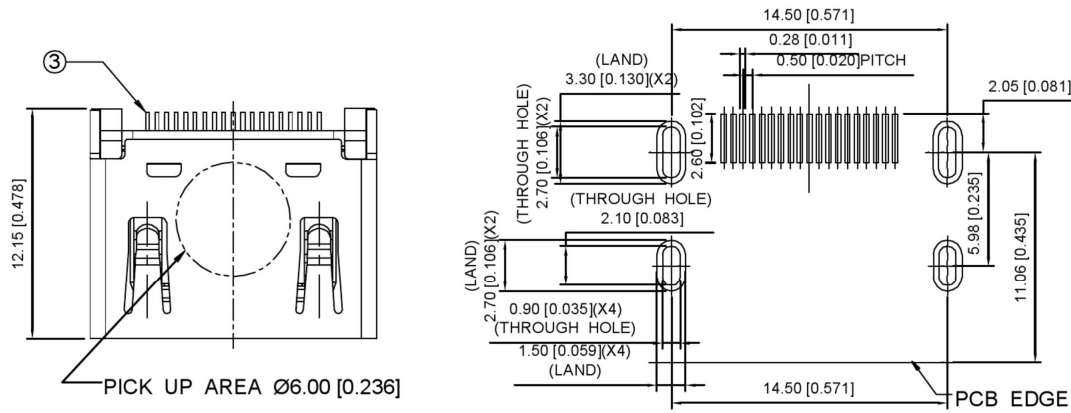
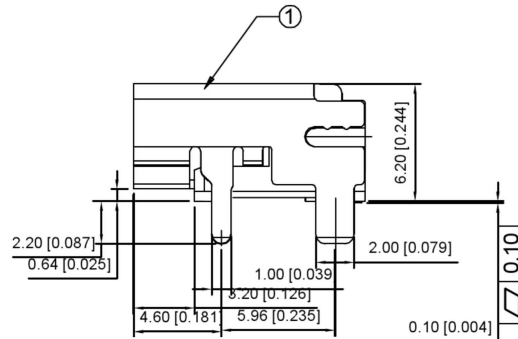
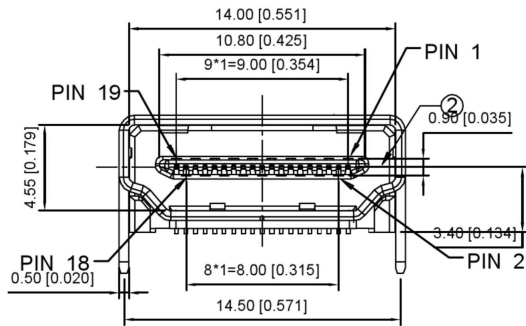


A71-05H5-1X1N1

1: Au 1U"
5: Au 15U"
6: Au 30U"

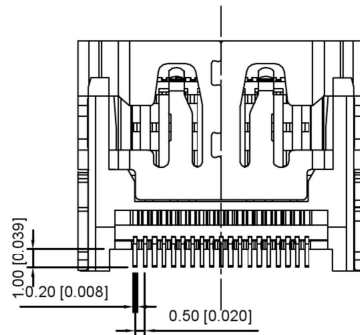


RECOMMENDED P.C.B. LAYOUT (T:1.20~1.60mm)
TOLERANCE UNSPECIFIED ±0.05mm





SPECIFICATIONS

- OPERATING CURRENT: 0.5A MAX.
- OPERATION TEMPERATURE: -25°C TO +85°C
- DIELECTRIC WITHSTANDING VOLTAGE:
500Volts AC BETWEEN ADJACENT TERMINAL (UNMATE)
300Volts AC BETWEEN ADJACENT TERMINAL (MATE)
- INSULATION RESISTANCE:
100Mohm MIN (UNMATED); 10Mohm MIN. (MATED)
- HDMI SPECIFICATION COMPLIANCE



ROHS COMPLIANCE

3	CONTACTS	19	COPPER ALLOY, GOLD PLATED OVER NICKEL ON CONTACT AREA AND 100U" MIN. TIN PLATED OVER NICKEL ON SOLDER TAILS
2	HOUSING	1	THERMOPLASTIC UL94V-0
1	SHELL	1	COPPER ALLOY, NICKEL PLATED

				ANGULAR	±5°	 SWITCH CONNECTOR	DSND	SCALE: N/A	MODEL TYPE: HDMI CONNECTOR		
				L ≤ 4	±0.2		DWN	VIEW: 	PART NO.: A71-05H5-1X1N1		
				4 < L ≤ 16	±0.3		CHKD	UNIT: mm/in	DWG NO.: A71-05H5-1X1N1		
				16 < L ≤ 63	±0.4		APPD	SIZE: A4			
				L > 63	±0.5						
REVISIONS				UNSPECIFIED TOLERANCES	KE SI DA ELECTRONIC TECHNOLOGY CO., LTD			WEIGHT	SHEET	REVISION	
WWW.BODONGKAIGUAN.NET WWW.CKJACK.COM WWW.KSDKG.COM										1/1	A0