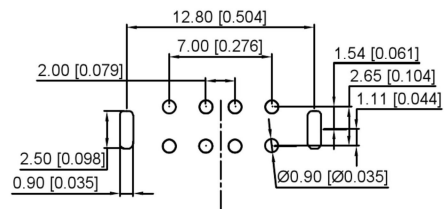


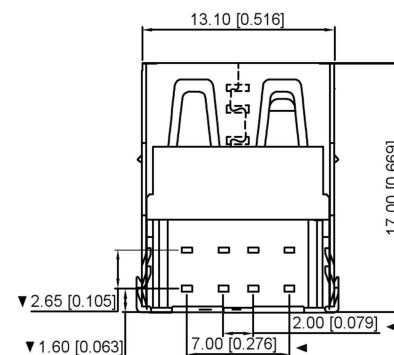
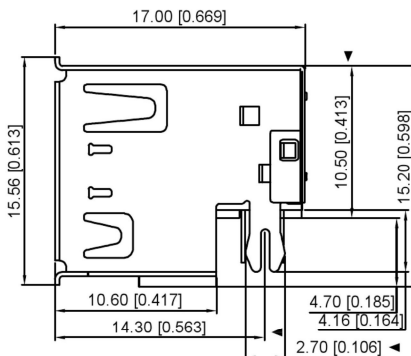
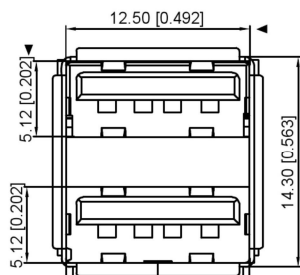
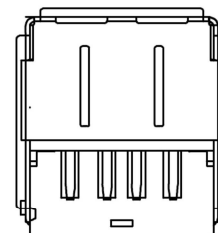
14.30 [0.563]



RECOMMENDED PCB LAYOUT

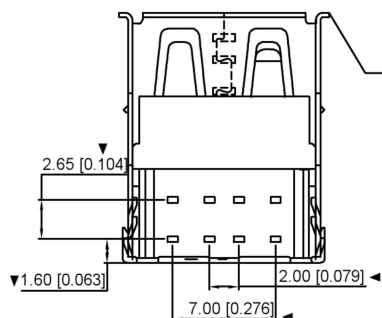
U224-08XN-1XRZ21-X-X

- 1:Au 1U"
- 6:Au 30U"
- 1:SPCC 5:BRASS
- S:Scrolls F:Flat
- B:Black R: Red O: Orange
- G: Green W: White T:Transparent
- 1:PBT
- 2:PA6T
- 3:PA9T
- 4:LCP



F:Flat

S:Scrolls



Housing Material: PBT UL94V-0, black/White  
Contact Terminal: Brass  
Metallic Shell: Brass/Spcc

				ANGLAR	±5°	DSND		SCALE: N/A	MODEL TYPE: USB 2.0		
				L ≤ 4	±0.2	DWN		VIEW:	PART NO.:		
				4 < L ≤ 16	±0.3	CHKD		UNIT: mm/in	DWG NO.:		
				16 < L ≤ 63	±0.4	APPD		SIZE: A4	U224-08XN-1XRZ21-X-X		
				L > 63	±0.5				WEIGHT	SHEET	REVISION
DESCRIPTION				UNSPECIFIED TOLERANCES		KE SI DA ELECTRONIC TECHNOLOGY CO., LTD				1/1	A0
REVISIONS											
DATE											
REVISED											
APPROVED											
WWW.BODONGKAIGUAN.NET				WWW.CKJACK.COM		WWW.KSDG.COM					