

F

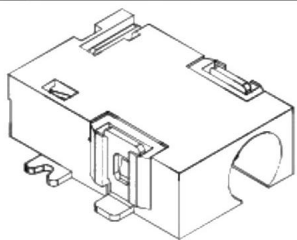
E

D

C

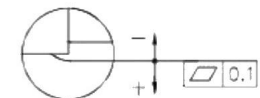
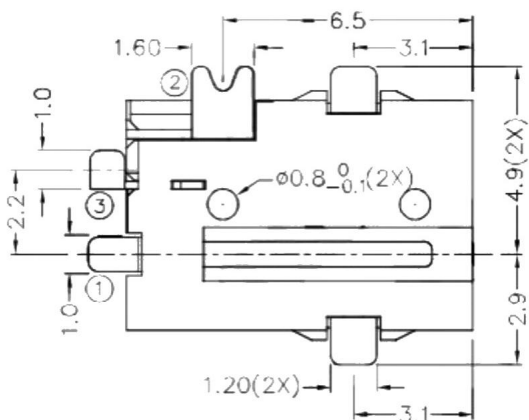
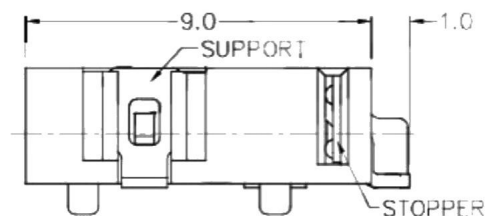
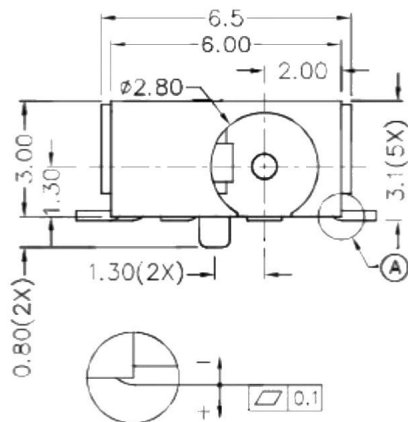
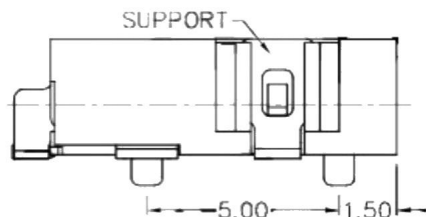
B

A



RoHS
Compliant

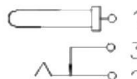
ZONE	SYMBOL	REVISION	APPROVAL	DATE
		ADJUST THE RECOMMENDED DC	J.X.KUANG	8-10-2019
		MATING PLUG		

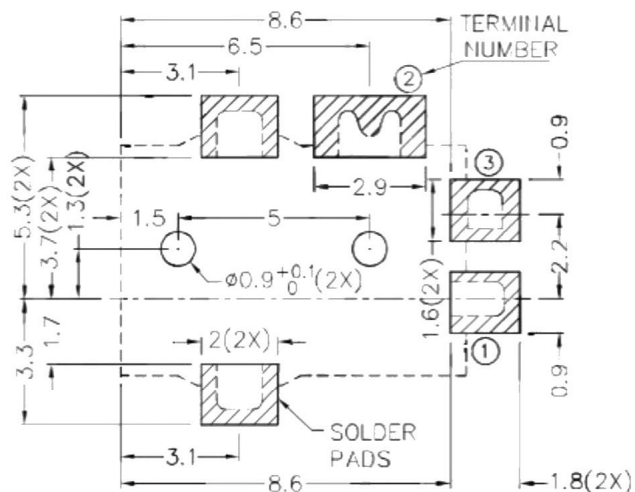


A DETAIL COPLANARITY

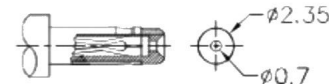
* MATERIAL

TERMINAL 1 : COPPER
 TERMINAL 2 : COPPER ALLOY
 TERMINAL 3 : BRASS
 SUPPORT : BRASS
 STOPPER : BRASS
 HOUSING : HIGH TEMP. PLASTIC

MODEL NO.	
SCHEMATIC	
CENTER PIN	∅0.650mm



RECOMMENDED PCB LAYOUT
 TOLERANCE: ±0.05
 (TOP VIEW)



RECOMMENDED
 DC MATING PLUG



广东科斯达电子科技有限公司
 GUANG DONG KE SI DA ELECTRONIC TECHNOLOGY CO., LTD.

PART NAME	SMD DC POWER SOCKET	TOLFRANCE UNLESS	0.0±0.2	UNIT:	mm
PART NO.		OTHERWISE SPECIFIED:	0.00±0.1		
			0.000±0.05		

DESIGN	J.X.KUANG	DATE	9-6-2004	SCALE	5:1
DRAWING	H.Q.ZHOU	DATE	8-10-2019	MATERIAL	*
CHFK	H.L.TAN	DATE	8-10-2019	DWG. NO.	TZ\DC057D-A/1.1
APPROVAL		DATE		SHEET	

F

E

D

C

B

A