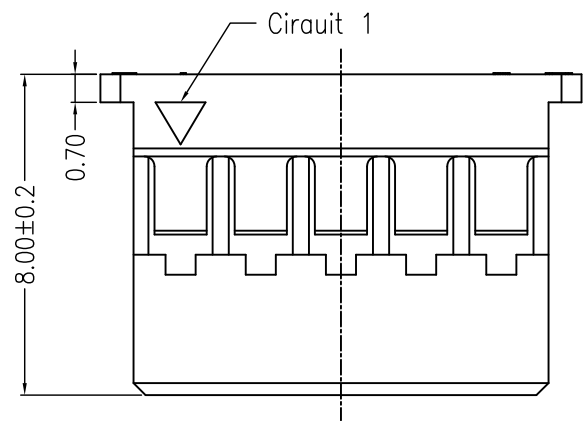
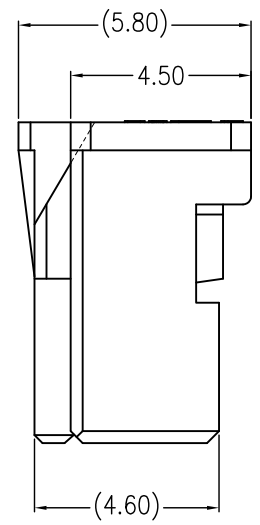
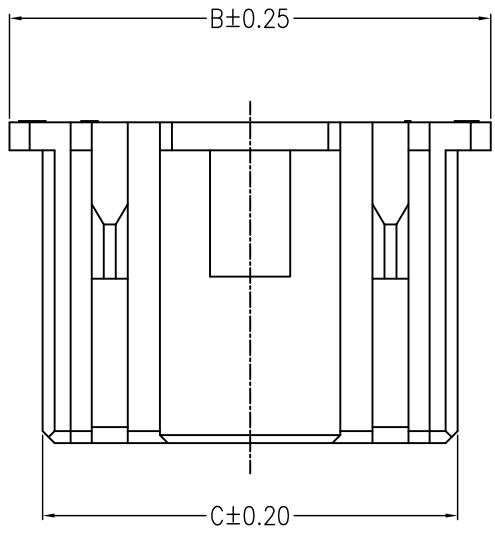
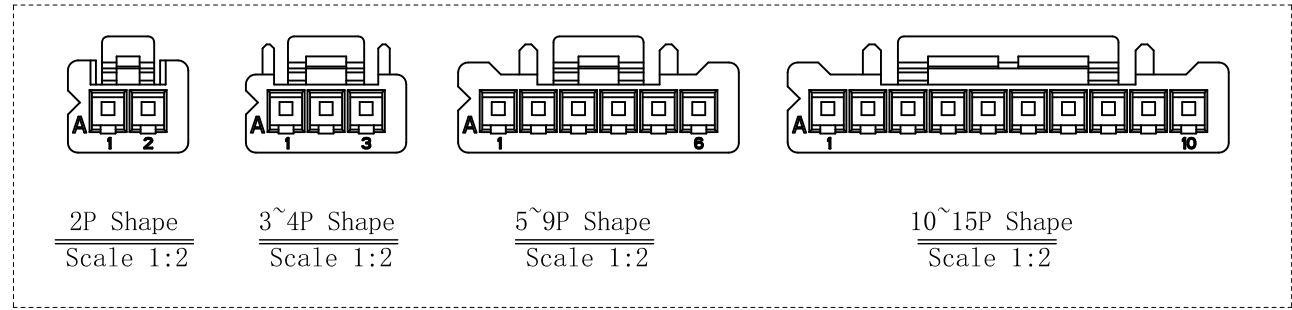
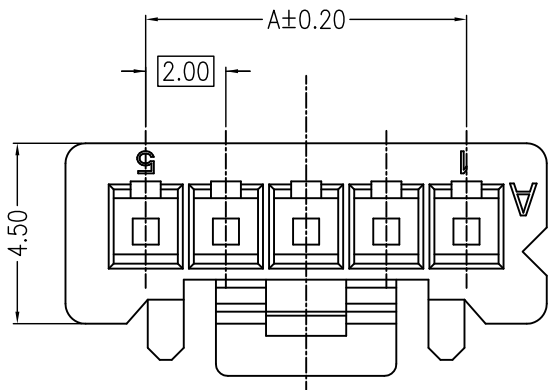
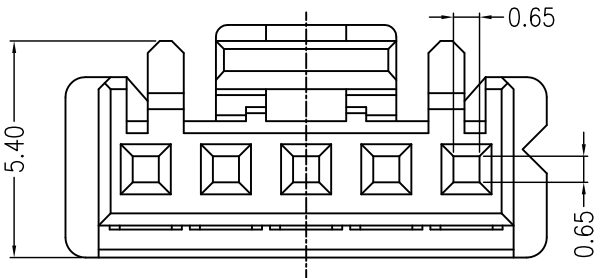


REV	DESCRIPTION	DESIGN	DATE
A	NEW RELEASE	Lingqing	2022/10/07



Specifications:
 Contact resistance: ≤10mΩ
 Insulation resistance: ≥1000MΩ
 Rated voltage: 250V AC DC
 Rated current: 3.0A AC DC
 Withstand Voltage: 800V AC/minute
 Temperature Range: -20°C ~ +85°C
 Housing: PA66 UL94V-0, Natural

PIN.	Dimensions (mm)			PIN.	Dimensions (mm)		
	A	B	C		A	B	C
02	2.00	6.00	4.35	09	16.00	20.00	18.35
03	4.00	8.00	6.35	10	18.00	22.00	20.35
04	6.00	10.00	8.35	11	20.00	24.00	22.35
05	8.00	12.00	10.35	12	22.00	26.00	24.35
06	10.00	14.00	12.35	13	24.00	28.00	26.35
07	12.00	16.00	14.35	14	26.00	30.00	28.35
08	14.00	18.00	16.35	15	28.00	32.00	30.35

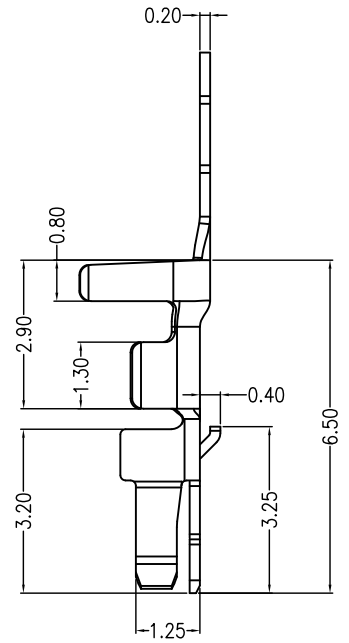
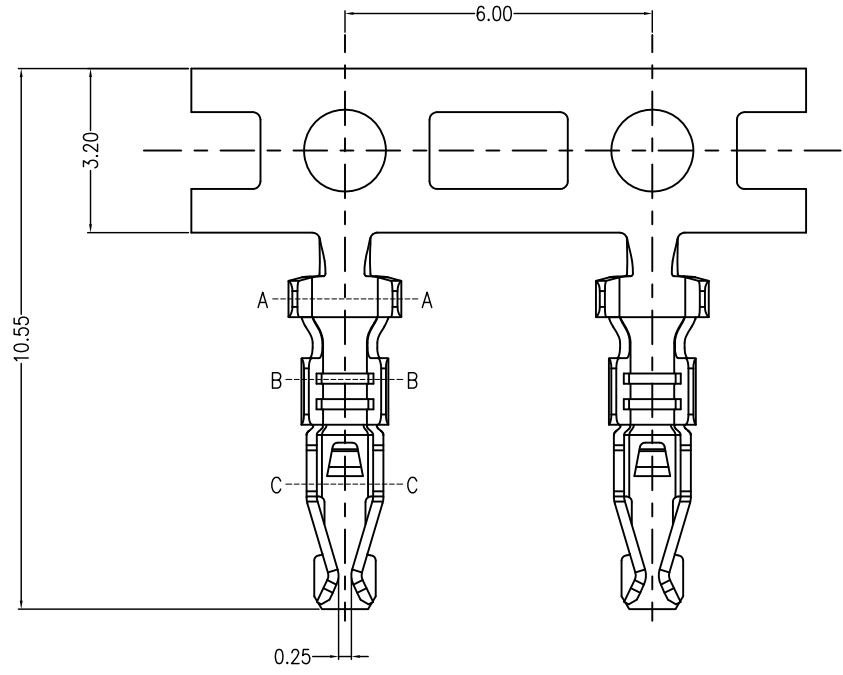


ORDER INFORMATION:
 A2008Y-**-A7W-P
 PART No. _____
 No. OF CIRCUITS: _____
 02~15
 PLASTIC MATERIAL: _____
 A7W=PA66(Natural)
 PACKAGING: P=PE

广东科斯达电子科技有限公司
 GUANG DONG KE SI DA ELECTRONIC TECHNOLOGY CO., LTD.

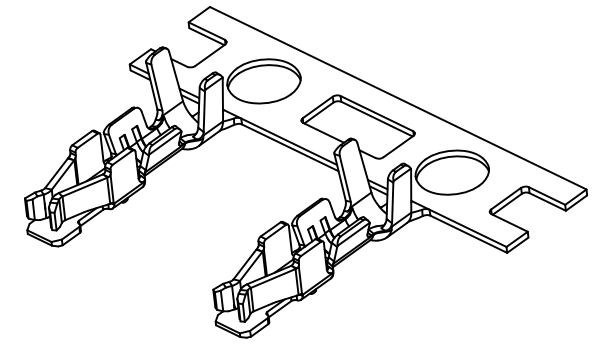
GENERAL TOLERANCE		USE:	TITLE:
X. ±0.50	X. ±5'	CUSTOMER	2.00mm PITCH Housing
X.X ±0.30	X.X ±2'	APPD: Zhuzhigang	PART NO.: A2008Y-**-A7W-P
X.XX ±0.20	X.XX ±1'	CHKD: Zenglingqing	DWG NO.: GCKH-1542
UNITS: mm	DR: Jiangjianying	SCALE: 1:1	SHEET: 1/1

REV	DESCRIPTION	DESIGN	DATE
A	NEW RELEASE	Lingqing	2022/10/07

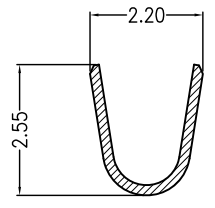


Specifications:

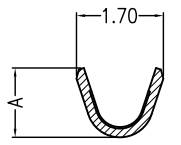
Contact resistance: $\leq 10\text{m}\Omega$
 Insulation resistance: $\geq 1000\text{M}\Omega$
 Rated voltage: 250V AC DC
 Rated current: 3.0A AC DC (AWG#22)
 Withstand Voltage: 800V AC/minute
 Temperature Range: $-25^{\circ}\text{C} \sim +85^{\circ}\text{C}$
 Contacts: Phosphor Bronze Sn-plated
 Wire Range: AWG#28~22
 Insulation O.D.: $\phi 1.50\text{mm}$ Max



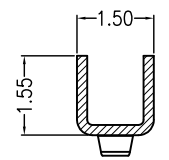
Model No.	Dimensions (mm)	
	A	Wire size
A2008T-01	1.35	AWG#28~26
A2008T-02	1.60	AWG#24~22



SECTION A-A



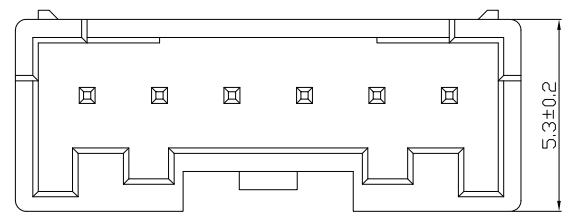
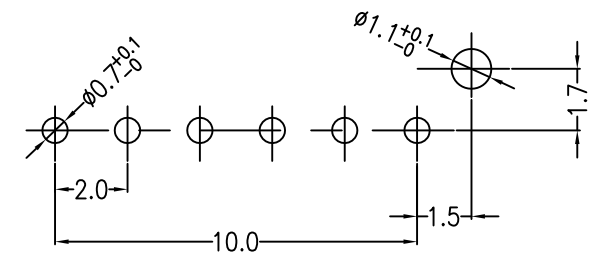
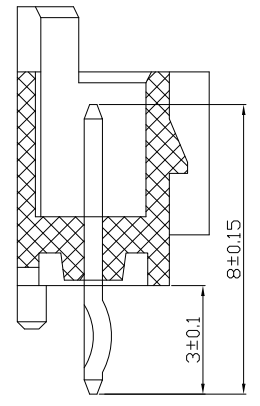
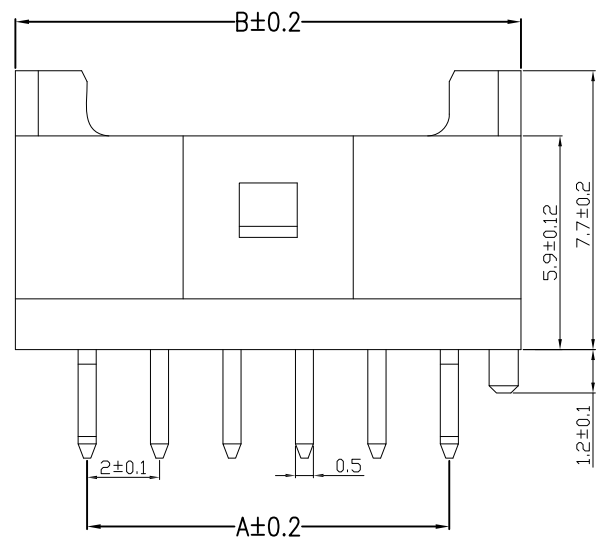
SECTION B-B



SECTION C-C

广东科斯达电子科技有限公司 GUANG DONG KE SI DA ELECTRONIC TECHNOLOGY CO., LTD.		TITLE: MX 2.00 Terminal	
		PART NO.: A2008T-01/02 Terminal	
GENERAL TOLERANCE		USE: CUSTOMER	
X. ± 0.50	X. $\pm 5^{\circ}$	APPD: Zhuzhigang	
X.X ± 0.30	X.X $\pm 2^{\circ}$	CHKD: Zenglingqing	
X.XX ± 0.20	X.XX $\pm 1^{\circ}$	DR: Jiangjianying	
UNITS: mm		SCALE 1 : 1	SHEET 1 / 1

REV	DESCRIPTION	DESIGN	DATE
A0	NEW RELEASE	蒋建银	2019/06/27



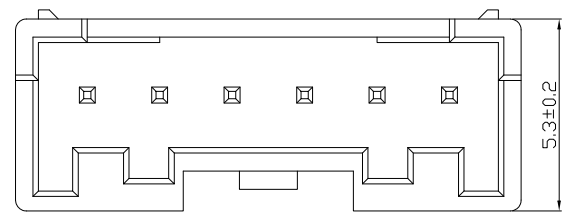
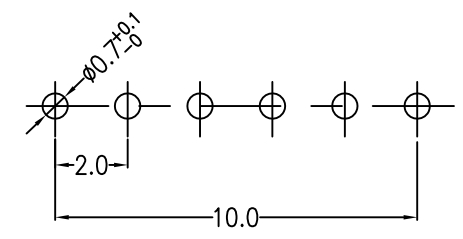
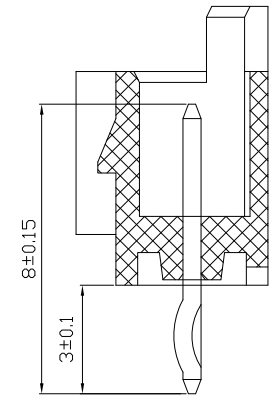
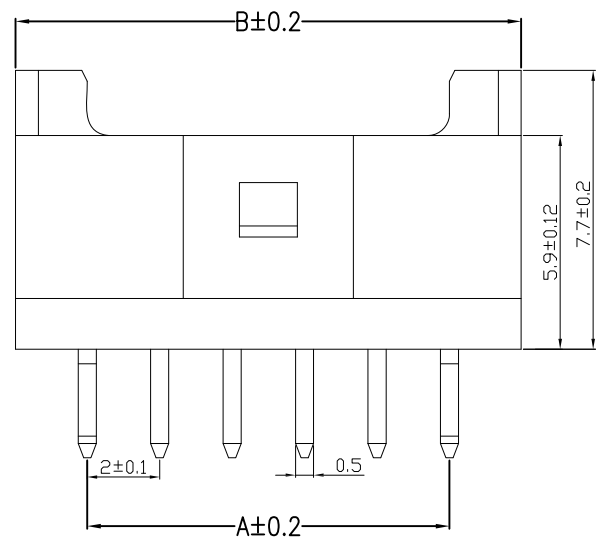
Specifications:

- Poles: 2~15P
- Contact resistance: $\leq 20m\Omega$
- Insulation resistance: $\geq 1000M\Omega$
- Rated voltage: 250V AC DC
- Rated current: 3.0A AC DC
- Withstand Voltage: 1000V AC/minute
- Temperature Range: $-25^{\circ}C \sim +85^{\circ}C$
- Housing: PA66 UL94V-0, Natural(White)
- Contacts: Brass/Sn-plated

B	6.0	8.0	10.0	12.0	14.0	16.0	18.0	20.0	22.0	24.0	26.0	28.0	30.0	32.0
A	2.0	4.0	6.0	8.0	10.0	12.0	14.0	16.0	18.0	20.0	22.0	24.0	26.0	28.0
孔数	2	3	4	5	6	7	8	9	10	11	12	13	14	15

广东科斯达电子科技有限公司 GUANG DONG KE SI DA ELECTRONIC TECHNOLOGY CO., LTD.		TITLE: -	
GENERAL TOLERANCE		USE: CUSTOMER	
X. ±0.50	X. ±5°	PART NO.: A2008A-**-09P	
X.X ±0.30	X.X ±2°	DWG NO.: GCKH-0824	
X.XX ±0.20	X.XX ±1°	SCALE 1 : 1	
UNITS: mm		SHEET 1 / 1	
		DR: 蒋建银	

REV	DESCRIPTION	DESIGN	DATE
A0	NEW RELEASE	蒋建银	2019/06/27



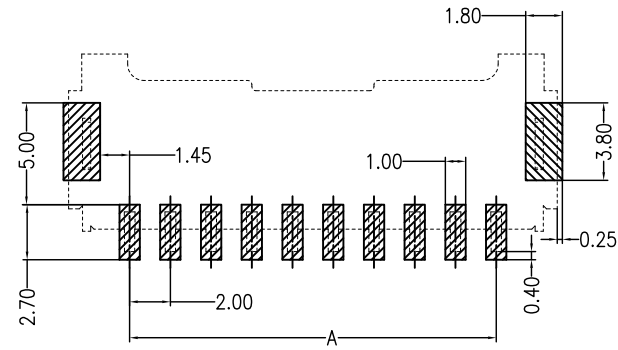
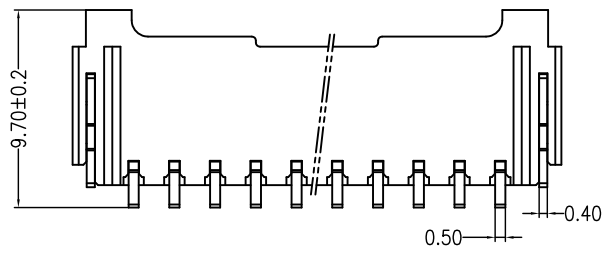
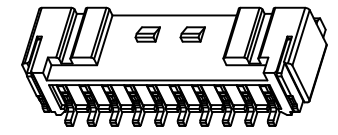
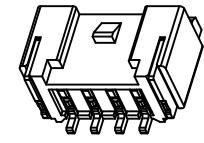
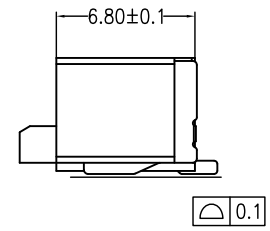
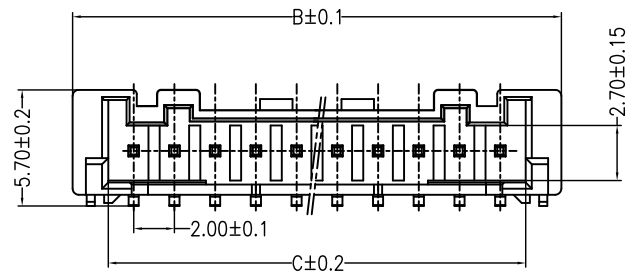
Specifications:

- Poles: 2~15P
- Contact resistance: ≤20mΩ
- Insulation resistance: ≥1000MΩ
- Rated voltage: 250V AC DC
- Rated current: 3.0A AC DC
- Withstand Voltage: 1000V AC/minute
- Temperature Range: -25°C ~ +85°C
- Housing: PA66 UL94V-0, Natural(White)
- Contacts: Brass/Sn-plated

B	6.0	8.0	10.0	12.0	14.0	16.0	18.0	20.0	22.0	24.0	26.0	28.0	30.0	32.0
A	2.0	4.0	6.0	8.0	10.0	12.0	14.0	16.0	18.0	20.0	22.0	24.0	26.0	28.0
孔数	2	3	4	5	6	7	8	9	10	11	12	13	14	15

广东科斯达电子科技有限公司 GUANG DONG KE SI DA ELECTRONIC TECHNOLOGY CO., LTD.		TITLE: PA直针打K无柱	
GENERAL TOLERANCE X. ±0.50 X. ±5° X.X ±0.30 X.X ±2° X.XX ±0.20 X.XX ±1°		USE: CUSTOMER APPD: 刘振岭 CHKD: 王亮 DR: 蒋建银	
UNITS: mm		PART NO.: A2008A-**-08P DWG NO.: - SCALE 1 : 1 SHEET 1 / 1	

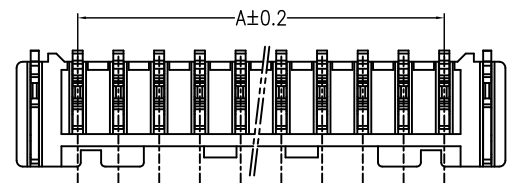
REV	DESCRIPTION	DESIGN	DATE
A0	NEW RELEASE	蒋建银	2018/04/07



PCB LAYOUT

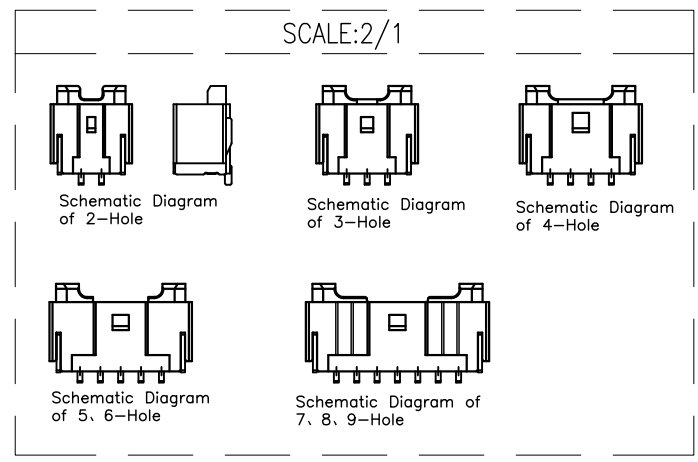
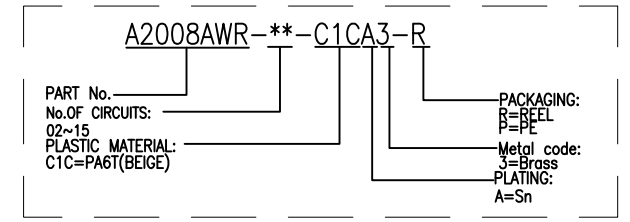
Specifications:

- Poles: 02 to 15
- Contact resistance: $\leq 20m\Omega$
- Insulation resistance: $\geq 1000M\Omega$
- Rated voltage: 250V AC DC
- Rated current: 3.0A AC DC
- Withstand Voltage: 800V AC/minute
- Temperature Range: $-25^{\circ}C \sim +85^{\circ}C$
- Housing: PA6T UL94V-0, Natural(Beige)
- CAP: PA6T UL94V-0, Natural(Beige)
- Contacts: Brass/Sn-plated
- Solder Tabs: Brass/Sn-plated



Schematic Diagram of 10, 11, 12, 13, 14, 15-Hole

ORDER INFORMATION:



PIN.	DIM A	DIM B	DIM C
2pin	2.00	8.00	4.55
3pin	4.00	10.00	6.55
4pin	6.00	12.00	8.55
5pin	8.00	14.00	10.55
6pin	10.00	16.00	12.55
7pin	12.00	18.00	14.55
8pin	14.00	20.00	16.55
9pin	16.00	22.00	18.55
10pin	18.00	24.00	20.55
11pin	20.00	26.00	22.55
12pin	22.00	28.00	24.55
13pin	24.00	30.00	26.55
14pin	26.00	32.00	28.55
15pin	28.00	34.00	30.55

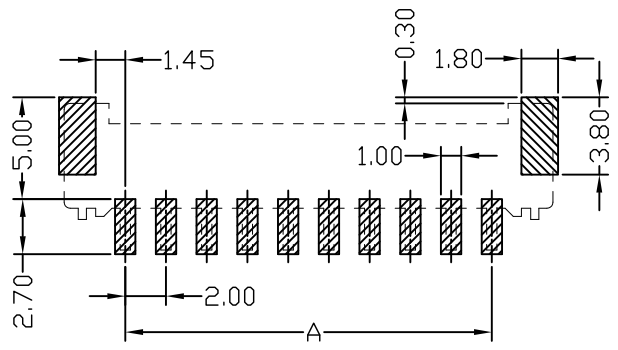
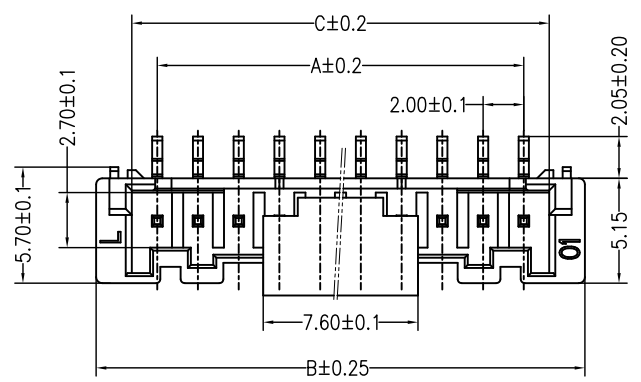


GENERAL TOLERANCE	
X. ± 0.50	X. $\pm 5^{\circ}$
X.X ± 0.30	X.X $\pm 2^{\circ}$
X.XX ± 0.20	X.XX $\pm 1^{\circ}$

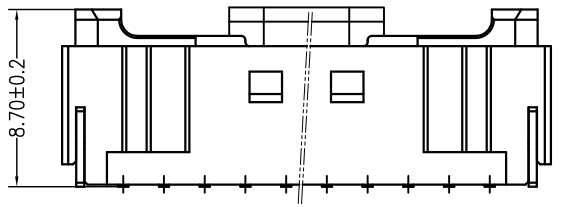
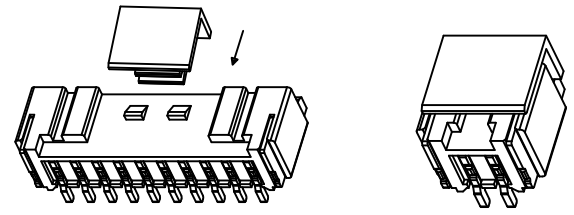
USE:
CUSTOMER
APPD: 刘振岭
CHKD: 王亮
DR: 蒋建银

TITLE: 2.00mm PITCH 90° WAFER SMT TYPE	
PART NO.: A2008AWR-**-C1CA3-R	
DWG NO.: GCCP-0738	
SCALE 1 : 1	SHEET 1 / 1

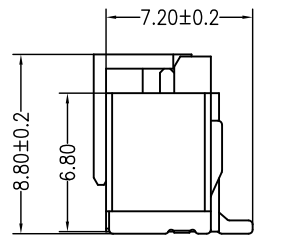
REV	DESCRIPTION	DESIGN	DATE
A0	NEW RELEASE	蒋建银	2018/04/07



PCB LAYOUT



Schematic Diagram of 10、11、12、13、14、15-Hole

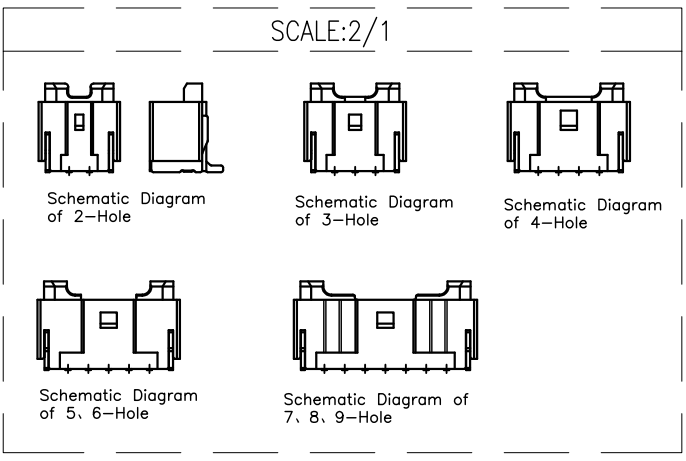
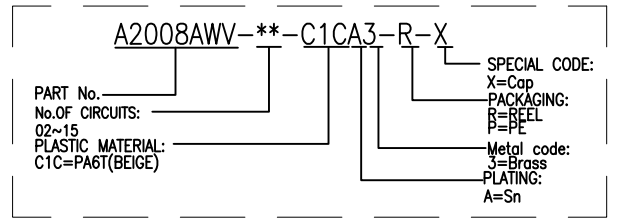


0.1

Specifications:

- Poles: 02 to 15
- Contact resistance: ≤20mΩ
- Insulation resistance: ≥1000MΩ
- Rated voltage: 250V AC DC
- Rated current: 3.0A AC DC
- Withstand Voltage: 800V AC/minute
- Temperature Range: -25°C ~ +85°C
- Housing: PA6T UL94V-0, Natural (Beige)
- CAP: PA6T UL94V-0, Natural (Beige)
- Contacts: Brass/Sn-plated
- Solder Tabs: Brass/Sn-plated

ORDER INFORMATION:



PIN.	DIM A	DIM B	DIM C
2pin	2.00	8.00	4.55
3pin	4.00	10.00	6.55
4pin	6.00	12.00	8.55
5pin	8.00	14.00	10.55
6pin	10.00	16.00	12.55
7pin	12.00	18.00	14.55
8pin	14.00	20.00	16.55
9pin	16.00	22.00	18.55
10pin	18.00	24.00	20.55
11pin	20.00	26.00	22.55
12pin	22.00	28.00	24.55
13pin	24.00	30.00	26.55
14pin	26.00	32.00	28.55
15pin	28.00	34.00	30.55



GENERAL TOLERANCE	
X. ±0.50	X. ±5°
X.X ±0.30	X.X ±2°
X.XX ±0.20	X.XX ±1°

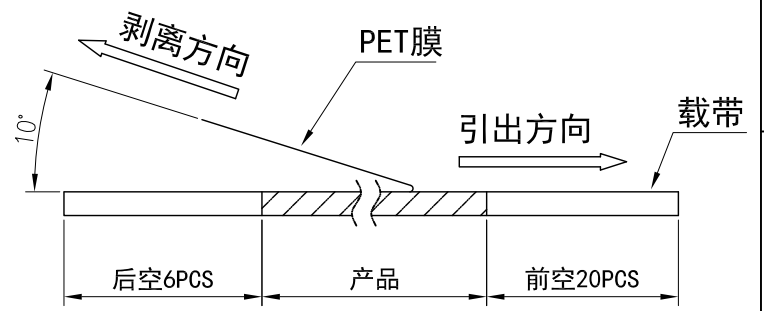
USE:	CUSTOMER
APPD:	刘振岭
CHKD:	王亮
DR:	蒋建银

TITLE:	2.00mm PITCH 180° WAFER SMT TYPE
PART NO.:	A2008AWV-**-C1CA3-R-X
DWG NO.:	GCCP-0742
SCALE	1 : 1
SHEET	1 / 1

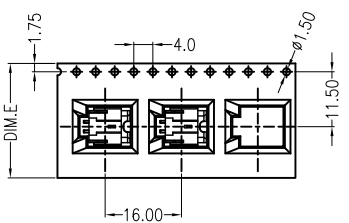
REV	ECN No.	DESCRIPTION	DESIGN	DATE
A		Release	蒋建银	2019.08.29

产品引出方向

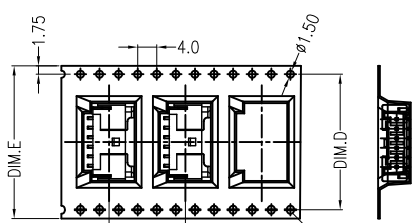
产品引出方向



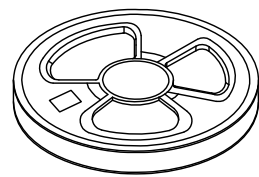
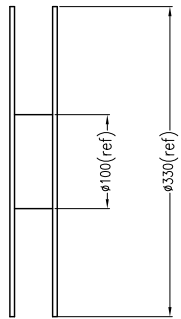
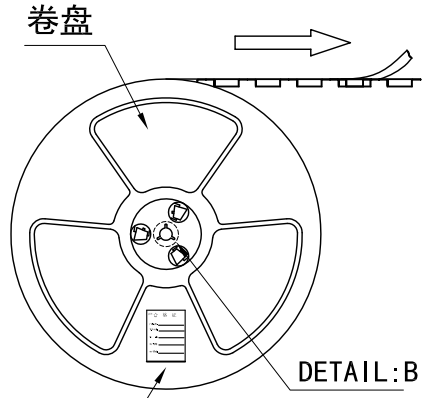
(PET膜剥离示意图)



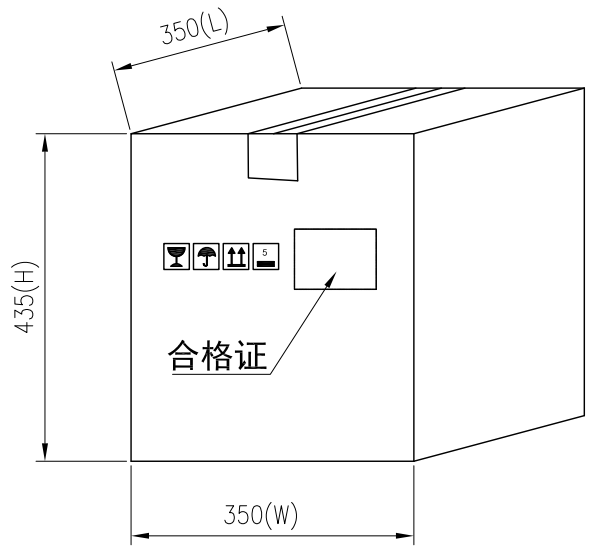
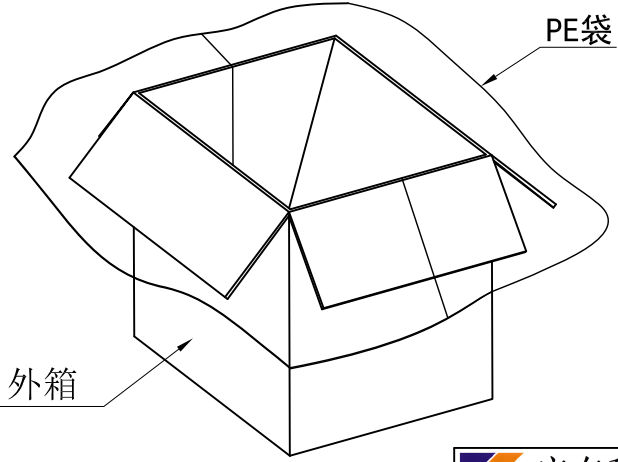
02~05 CONTACTS



06-15 CONTACTS



装**盘见(列表一)



列表一

Circuits	DIM. D	DIM. E	Q'ty/Reel	Packing (Reel/Caton)
02~05PIN	-	24	700PCS	15/Reel
06~08PIN	28.4	32	700PCS	11/Reel
09~14PIN	40.4	44	700PCS	8/Reel
15PIN	52.4	56	700PCS	7/Reel

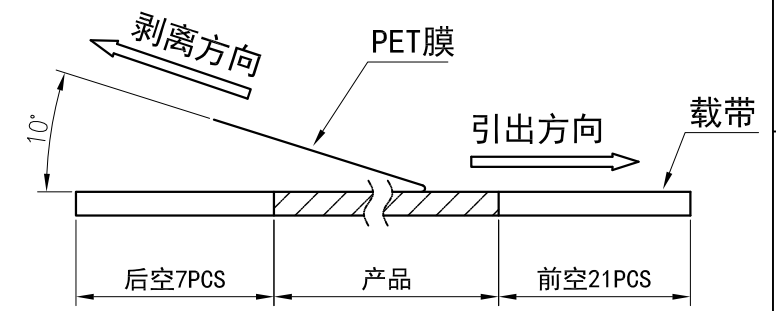
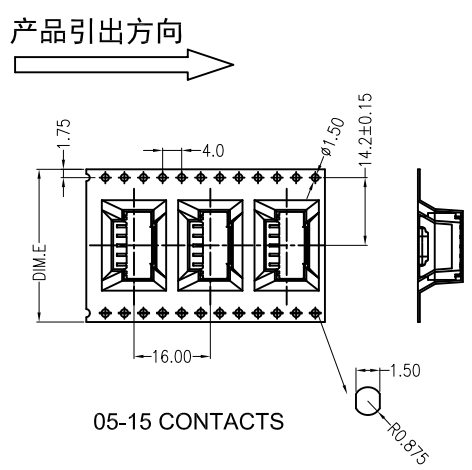
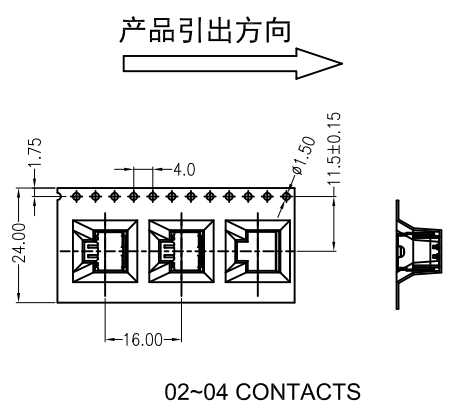
- 包装说明:
- 把成品包入卷盘中, 每盘装700PCS, 卷盘上贴上合格证, 将装好产品的卷盘放进外箱中, 外箱内先套一个大PE袋, 外箱上贴贴上合格证.
 - 所有材料有害物控制需符合RoHS标准.

广东科斯达电子科技有限公司
GUANG DONG KE SI DA ELECTRONIC TECHNOLOGY CO., LTD.

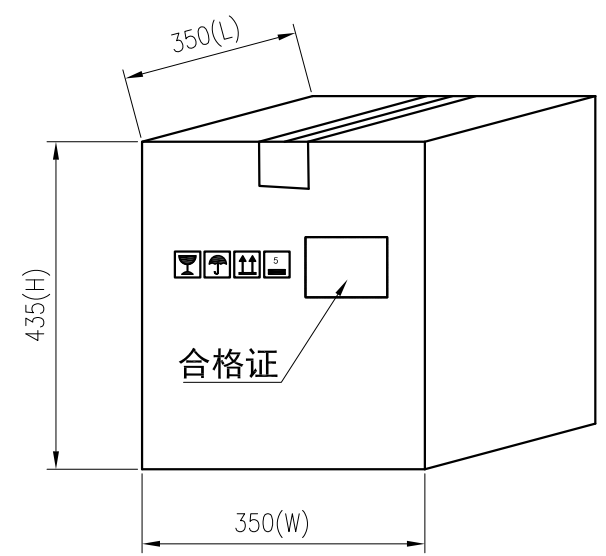
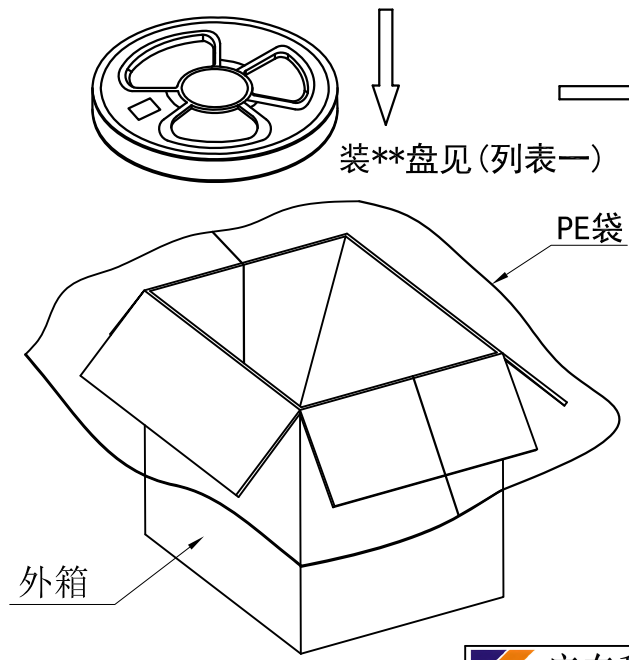
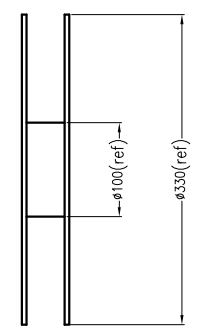
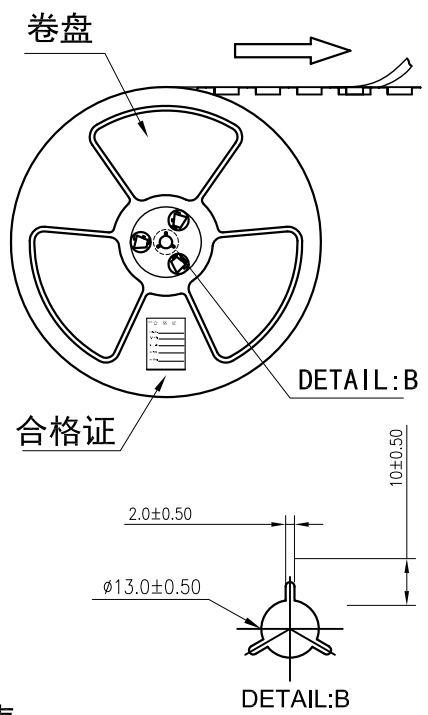
X.± 0.5	X.±'	USE:	CUSTOMER
.X± 0.3	.X±'	APPD:	刘振岭
.XX±0.25	.XX±'	CHKD:	王亮
--	--	DR:	蒋建银
		UNITS:	mm

TITLE:	
PART NO.:	A2008AWR 卷装(700PCS)
DWG NO.:	GCBZ-0738
SCALE	SHEET
1 : 1	1 / 1

REV	ECN No.	DESCRIPTION	DESIGN	DATE
A		Release	蒋建银	2018.06.21
B		增补缺失孔位	蒋建银	2022.01.21



(PET膜剥离示意图)



列表一

Circuits	DIM. D	DIM. E	Q'ty/Reel	Packing (Reel/Caton)
02~04PIN	-	24	500PCS	15/Reel
05~07PIN	-	32	500PCS	11/Reel
08~14PIN	-	44	500PCS	8/Reel
15PIN	-	56	500PCS	7/Reel

包装说明:

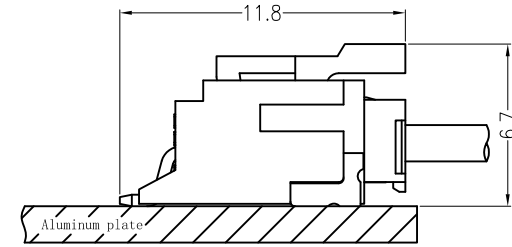
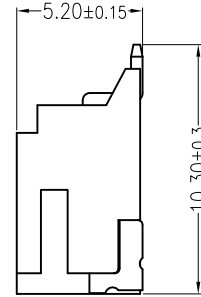
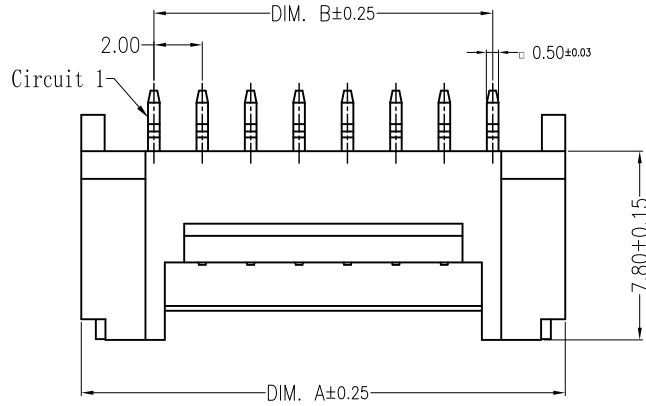
- 把成品包入卷盘中, 每盘装500PCS, 卷盘上贴上合格证, 将装好产品的卷盘放进外箱中, 外箱内先套一个大PE袋, 外箱上贴贴上合格证.
- 所有材料有害物控制需符合RoHS标准.

广东科斯达电子科技有限公司
GUANG DONG KE SI DA ELECTRONIC TECHNOLOGY CO., LTD.

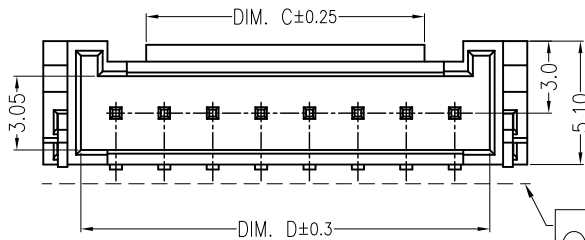
X.± 0.5	X.±'	USE: CUSTOMER
.X± 0.3	.X±'	APPD: 谭龙清
.XX±0.25	.XX±'	CHKD: 田峰
--	--	DR: 蒋建银
UNITS: mm		

TITLE:	
PART NO.:	A2008AWW 卷装
DWG NO.:	GCBZ-0742
SCALE	SHEET
1 : 1	1 / 1

REV	DESCRIPTION	DESIGN	DATE
A0	NEW RELEASE	Wudanping	2016/04/10
A1	Change the size	Jiangjiayin	2018/04/19
A2	Adjust flatness	Jiangjiayin	2020/06/18

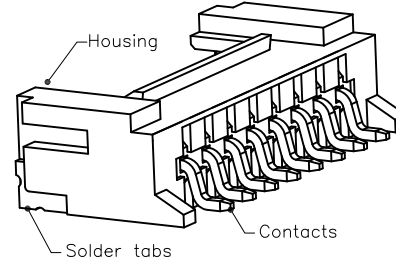


Assembly Layout



A2			
Ø	02~11	0.10	MAX
	12~16	0.12	MAX

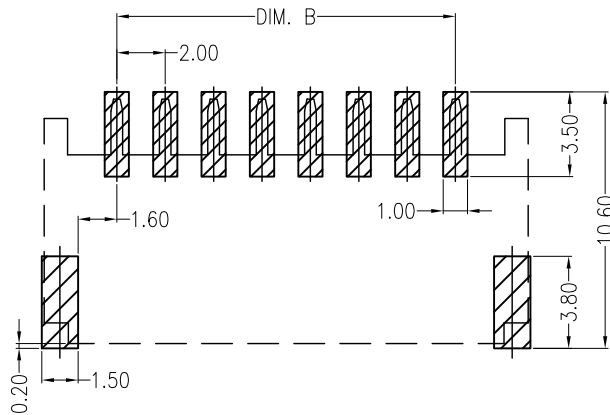
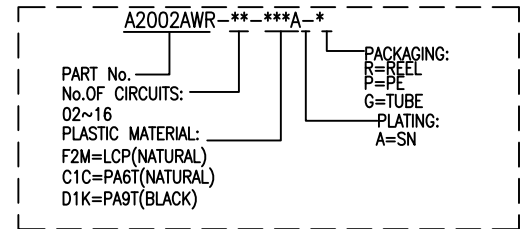
3D VIEWS



Specifications:

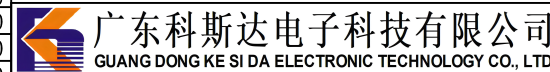
- Contact resistance: ≤20mΩ
- Insulation resistance: ≥1000MΩ
- Rated voltage: 250V AC DC
- Rated current: 2.0A AC DC
- Withstand voltage: 1000V AC/minute
- Temperature range: -25°C ~ +105°C
- Housing: LCP/PA6T/PA9T, UL94V-0 (Natural, Black)
- Contacts: Brass/Sn
- Solder tabs: Brass/Sn

ORDER INFORMATION:



SUGGESTED PCB LAYOUT

Circuits	Dimensions (mm)			
	DIM. A	DIM. B	DIM. C	DIM. D
02	8.00	2.00	2.70 _{A1}	4.75 _{A1}
03	10.00	4.00	3.20 _{A1}	6.75 _{A1}
04	12.00	6.00	3.50	8.90
05	14.00	8.00	5.50	10.90
06	16.00	10.00	7.50	12.90
07	18.00	12.00	9.50	14.90
08	20.00	14.00	11.50	16.90
09	22.00	16.00	13.50	18.90
10	24.00	18.00	15.50	20.90
11	26.00	20.00	15.50	22.90
12	28.00	22.00	15.50	24.90
13	30.00	24.00	15.50	26.90
14	32.00	26.00	15.50	28.90
15	34.00	28.00	15.50	30.90
16	36.00	30.00	15.50	32.90

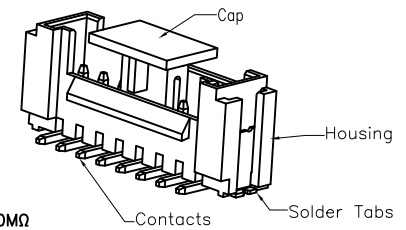
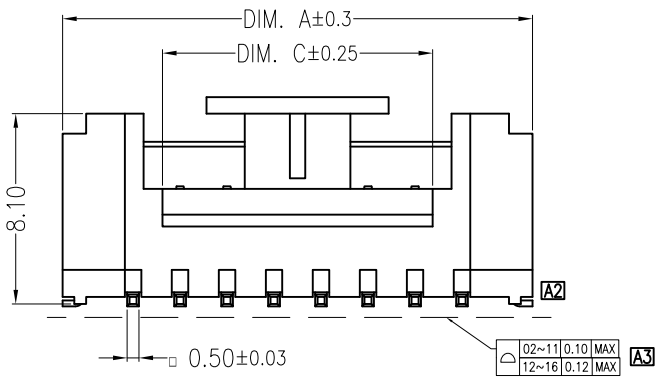
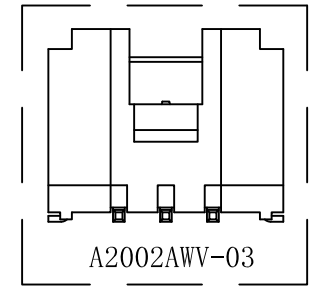
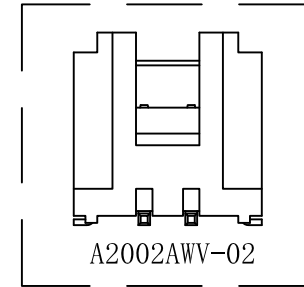
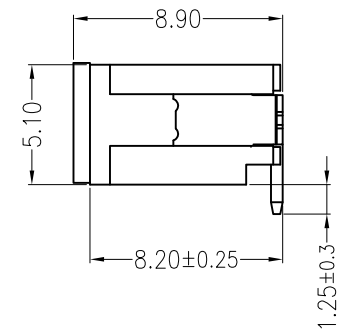
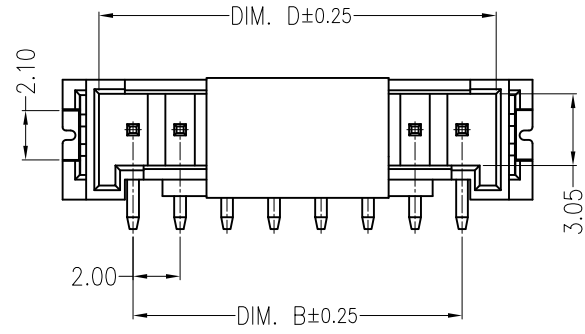


GENERAL TOLERANCE	
X. ±0.50	X. ±5°
X.X ±0.30	X.X ±2°
X.XX ±0.20	X.XX ±1°

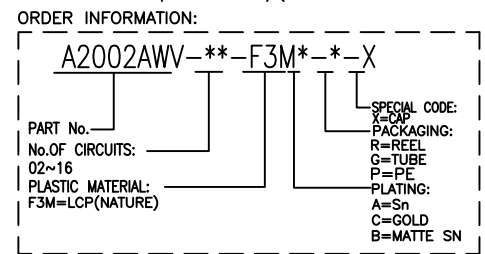
USE:	CUSTOMER
APPD:	Shaojinghe
CHKD:	Zenglingqing
DR:	Jiangjiayin

TITLE:	2.00mm PITCH 90° WAFER SMT TYPE	
PART NO.:	A2002AWR-**-***A-*	
DWG NO.:	GCKH-0530	
SCALE	1 : 1	SHEET
		1 / 1

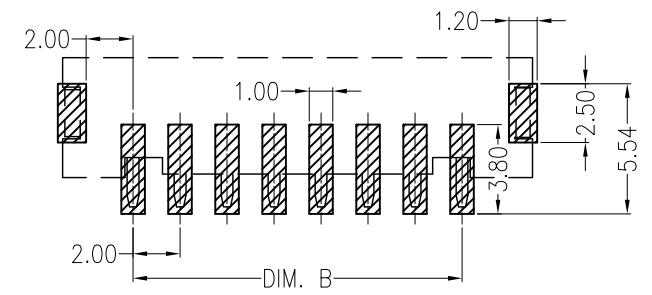
REV	DESCRIPTION	DESIGN	DATE
A0	NEW RELEASE	Wudanping	2016.05.07
A2	Improve inspection efficiency and quality	Zenglingqing	2018.06.06
A3	Adjust flatness	Jiangjianyin	2020.06.18



Specifications:
 Contact resistance: ≤20mΩ
 Insulation resistance: ≥1000MΩ
 Rated voltage: 250V AC DC
 Rated current: 2.0A AC DC
 Withstand Voltage: 1000V AC/minute
 Temperature Range: -25℃ ~ +105℃
 Housing: LCP, UL94V-0/Nature
 Cap: LCP, UL94V-0/Nature
 Contacts: Brass/(Sn or Matte Sn or Gold)
 Solder Tabs: Phosphor Bronze/(Sn or Matte Sn or Gold)



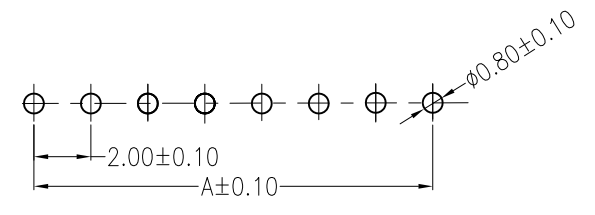
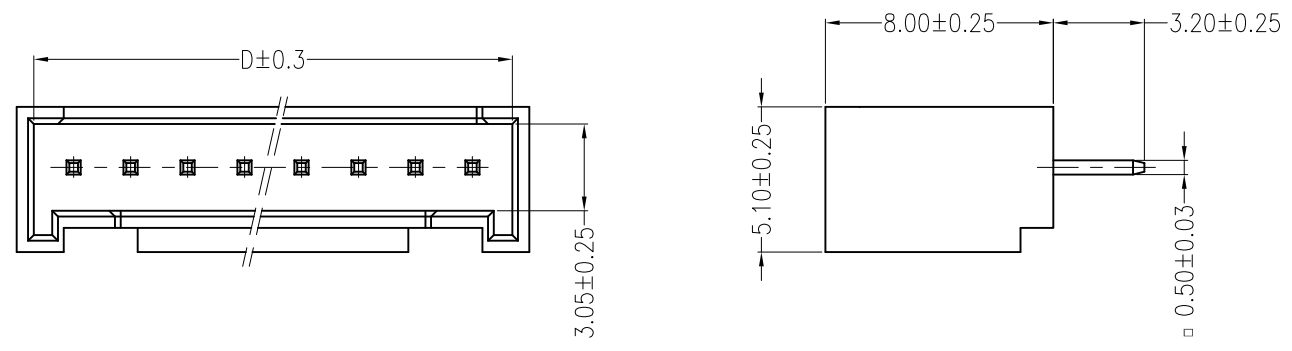
Circuits	Dimensions (mm)			
	DIM. A	DIM. B	DIM. C	DIM. D
02	8.00	2.00	2.70	4.90
03	10.00	4.00	2.70	6.90
04	12.00	6.00	3.50	8.90
05	14.00	8.00	5.50	10.90
06	16.00	10.00	7.50	12.90
07	18.00	12.00	9.50	14.90
08	20.00	14.00	11.50	16.90
09	22.00	16.00	13.50	18.90
10	24.00	18.00	15.50	20.90
11	26.00	20.00	15.50	22.90
12	28.00	22.00	15.50	24.90
13	30.00	24.00	15.50	26.90
14	32.00	26.00	15.50	28.90
15	34.00	28.00	15.50	30.90
16	36.00	30.00	15.50	32.90



SUGGESTED PCB LAYOUT

广东科斯达电子科技有限公司 GUANG DONG KE SI DA ELECTRONIC TECHNOLOGY CO., LTD.		TITLE: 2.0mm PITCH 180° WAFER SMT TYPE	
		PART NO.: A2002AWV-**-F3M*-*-X	
GENERAL TOLERANCE X. ±0.50 X. ±5° X.X ±0.30 X.X ±2° X.XX ±0.20 X.XX ±1°		USE: CUSTOMER APPD: Shaojinghe CHKD: Zenglingqing	
UNITS: mm		DR: Jiangjianyin SCALE: 1 : 1 SHEET: 1 / 1	

REV	ECN No.	DESCRIPTION	DESIGN	DATE
A0	-	NEW RELEASE	吴丹平	2017.05.29
-	-	-	-	-

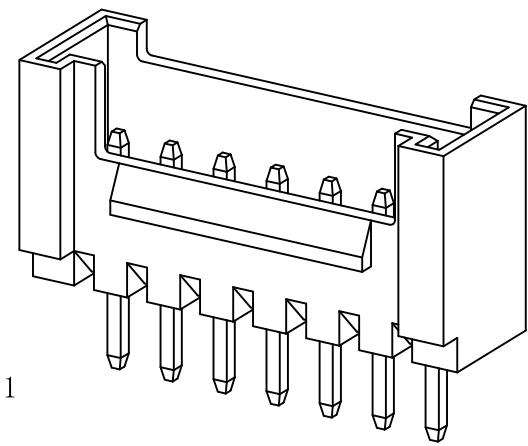
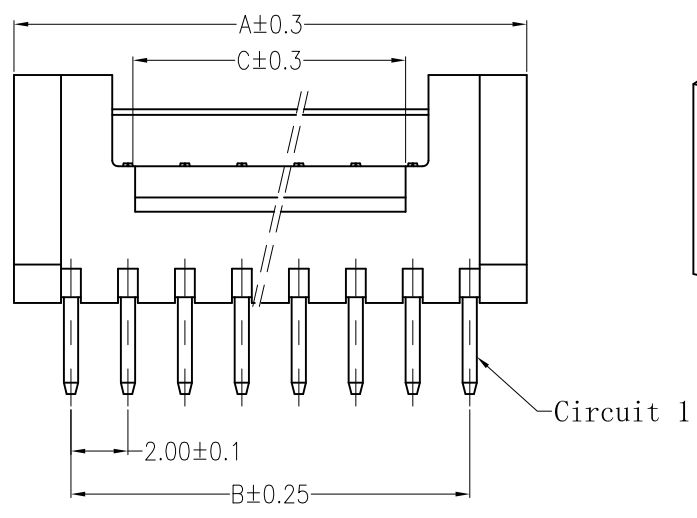
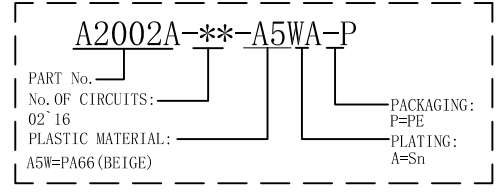


SUGGESTED PCB LAYOUT

主要技术参数 Main Specifications

- 线数 (Poles): 02 to 16
- 接触电阻 (Contact resistance): $\leq 20m\Omega$
- 绝缘电阻 (Insulation resistance): $\geq 1000M\Omega$
- 额定电压 (Rated voltage): 250V AC DC
- 额定电流 (Rated current): 2.0A AC DC
- 耐电压 (Withstand Voltage): 1000V AC/minute
- 温度范围 (Temperature Range): $-25^{\circ}C \sim +85^{\circ}C$

ORDER INFORMATION:



Circuits	Dimensions (mm)				Circuits	Dimensions (mm)			
	A	B	C	D		A	B	C	D
02	6.00	2.00	2.70	4.90	10	22.00	18.00	16.0	20.90
03	8.00	4.00	3.00	6.90	11	24.00	20.00	18.0	22.90
04	10.00	6.00	4.00	8.90	12	26.00	22.00	20.0	24.90
05	12.00	8.00	6.00	10.90	13	28.00	24.00	22.0	26.90
06	14.00	10.00	8.00	12.90	14	30.00	26.00	24.0	28.90
07	16.00	12.00	10.0	14.90	15	32.00	28.00	26.0	30.90
08	18.00	14.00	12.0	16.90	16	34.00	30.00	28.0	32.90
09	20.00	16.00	14.0	18.90					

ITEM	COMPONENT	Q'TY	MATERIAL	FINISH
C				
B	CONTACT	2~16 PCS	Brass	Sn-plated
A	HOUSING	1 PCS	PA66	COLOR:BEIGE

广东科斯达电子科技有限公司 GUANG DONG KE SI DA ELECTRONIC TECHNOLOGY CO., LTD.	TITLE:	2.0mmPITCH 180°WAFER DIP TYPE
	PART NO.:	A2002A-**-A5WA-P
	DWG NO.:	GCCP-0528
	SCALE	1 : 1
UNITS: mm	DR: 蒋建银	SHEET 1 / 1

A

B

C

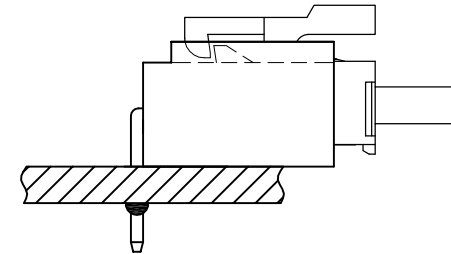
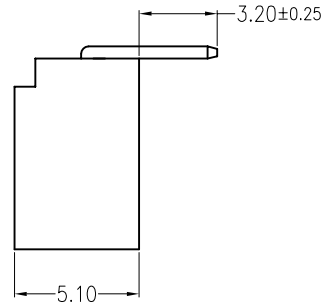
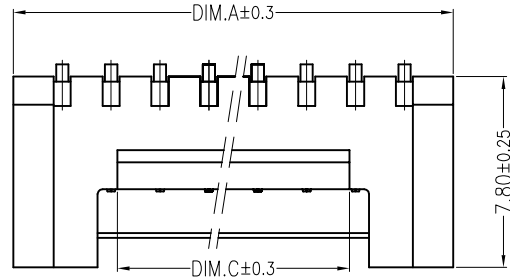
D

E

F

REV	DESCRIPTION	DESIGN	DATE
A0	Release	吴丹平	2017.05.20

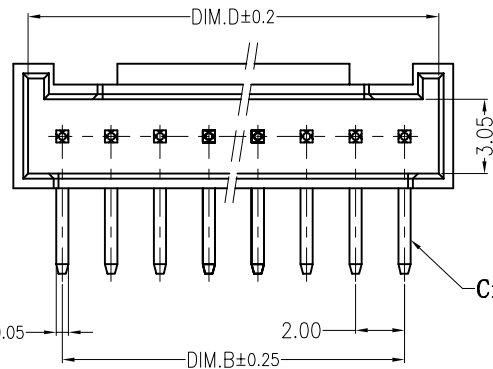
1



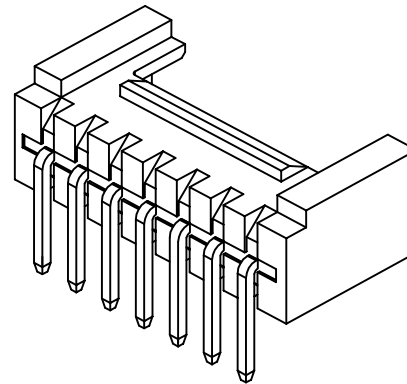
Assembly Layout

2

3



Circuit 1



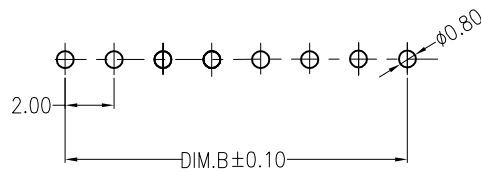
主要技术参数 Main Specifications

线数 (Poles): 02 to 16
 接触电阻 (Contact resistance): $\leq 20m\Omega$
 绝缘电阻 (Insulation resistance): $\geq 1000M\Omega$
 额定电压 (Rated voltage): 250V AC DC
 额定电流 (Rated current): 2.0A AC DC
 耐电压 (Withstand Voltage): 1000V AC/minute
 温度范围 (Temperature Range): $-25^{\circ}C \sim +85^{\circ}C$

ORDER INFORMATION:

A2002AW-**-A5WA-P			
PART No.:			
No. OF CIRCUITS:	02~16		PACKAGING: P=PE
PLASTIC MATERIAL:			PLATING: A=Sn
A5W=PA66 (WHITE)			

4



SUGGESTED PCB LAYOUT

5

Circuits	Dimensions (mm)			
	DIM. A	DIM. B	DIM. C	DIM. D
02	6.00	2.00	2.70	4.90
03	8.00	4.00	3.00	6.90
04	10.00	6.00	4.00	8.90
05	12.00	8.00	6.00	10.90
06	14.00	10.00	8.00	12.90
07	16.00	12.00	10.00	14.90
08	18.00	14.00	12.00	16.90
09	20.00	16.00	14.00	18.90
10	22.00	18.00	16.00	20.90
11	24.00	20.00	18.00	22.90
12	26.00	22.00	20.00	24.90
13	28.00	24.00	22.00	26.90
14	30.00	26.00	24.00	28.90
15	32.00	28.00	26.00	30.90
16	34.00	30.00	28.00	32.90

ITEM	COMPONENT	Q'TY	MATERIAL	FINISH
C				
B	CONTACT	2~16 PCS	Brass	Sn-plated
A	PEDESTAL	1 PCS	PA66	COLOR:WHITE



X.±0.5	X.±5'	USE:	CUSTOMER
.X±0.3	.X±2'	APPD:	邵敬和
.XX±0.25	.XX±1'	CHKD:	田峰
--	--	DR:	吴丹平
UNITS: mm			

TITLE:		2.0mmPITCH 90°WAFER DIP TYPE	
PART NO.:		A2002AW-**-A5WA-P	
DWG NO.:		GCCP-0529	
SCALE	SHEET		
1 : 1	1 / 1		

A

B

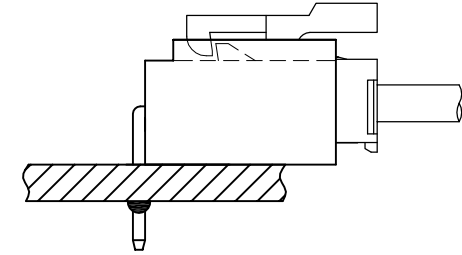
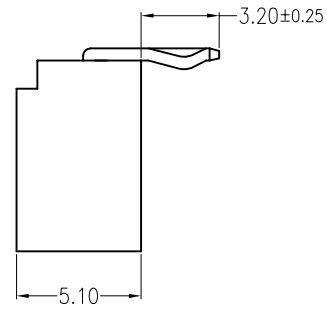
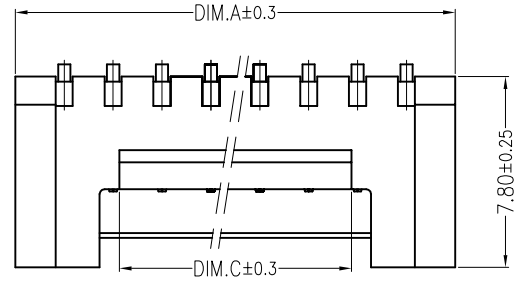
C

D

E

F

REV	DESCRIPTION	DESIGN	DATE
A0	Release	吴丹平	2017.05.20

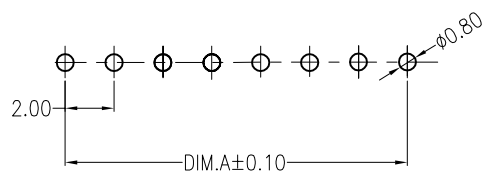
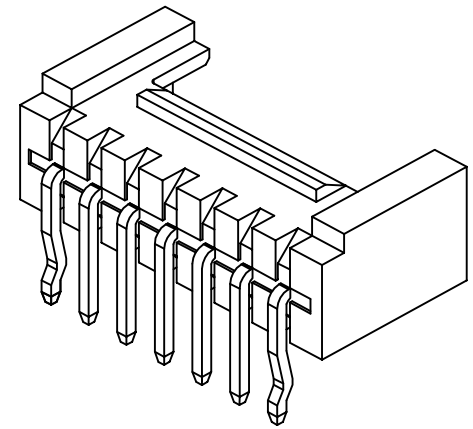
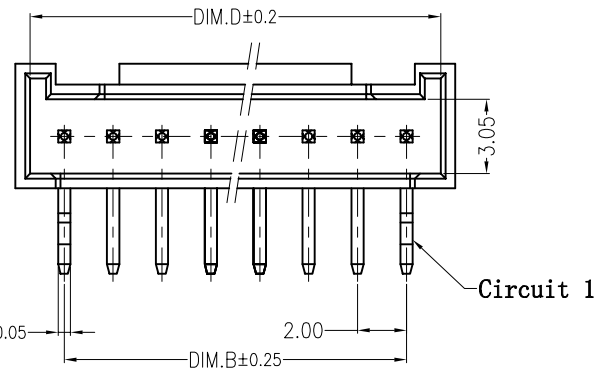
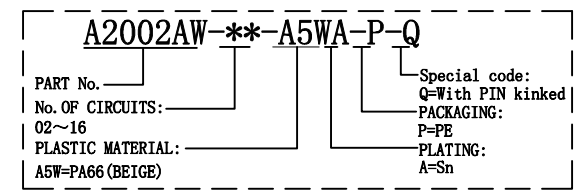


Assembly Layout

主要技术参数 Main Specifications

- 线 数 (Poles): 02 to 16
- 接触电阻 (Contact resistance): $\leq 20m\Omega$
- 绝缘电阻 (Insulation resistance): $\geq 1000M\Omega$
- 额定电压 (Rated voltage): 250V AC DC
- 额定电流 (Rated current): 2.0A AC DC
- 耐 电压 (Withstand Voltage): 1000V AC/minute
- 温度范围 (Temperature Range): $-25^{\circ}C \sim +85^{\circ}C$

ORDER INFORMATION:



SUGGESTED PCB LAYOUT

Circuits	Dimensions (mm)			
	DIM. A	DIM. B	DIM. C	DIM. D
02	6.00	2.00	2.70	4.90
03	8.00	4.00	3.00	6.90
04	10.00	6.00	4.00	8.90
05	12.00	8.00	6.00	10.90
06	14.00	10.00	8.00	12.90
07	16.00	12.00	10.00	14.90
08	18.00	14.00	12.00	16.90
09	20.00	16.00	14.00	18.90
10	22.00	18.00	16.00	20.90
11	24.00	20.00	18.00	22.90
12	26.00	22.00	20.00	24.90
13	28.00	24.00	22.00	26.90
14	30.00	26.00	24.00	28.90
15	32.00	28.00	26.00	30.90
16	34.00	30.00	28.00	32.90

ITEM	COMPONENT	Q'TY	MATERIAL	FINISH
C				
B	CONTACT	2~16 PCS	Brass	Sn-plated
A	PEDESTAL	1 PCS	PA66	COLOR:WHITE

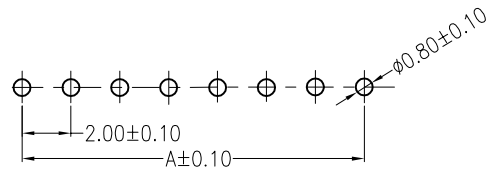
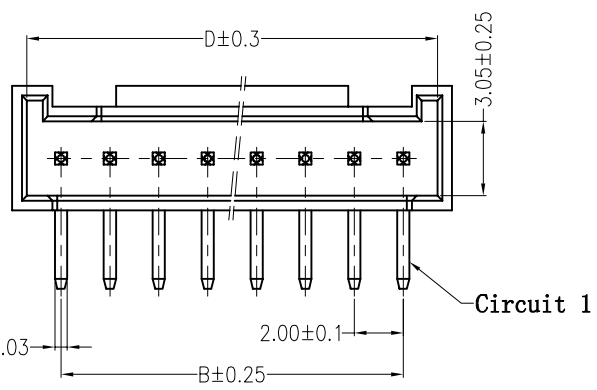
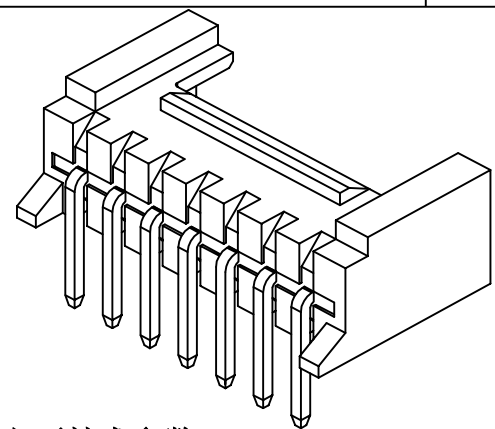
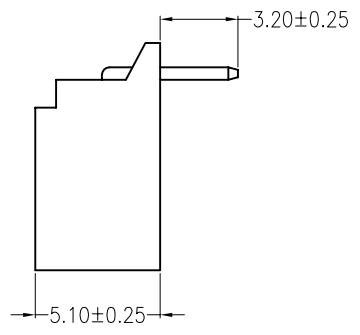
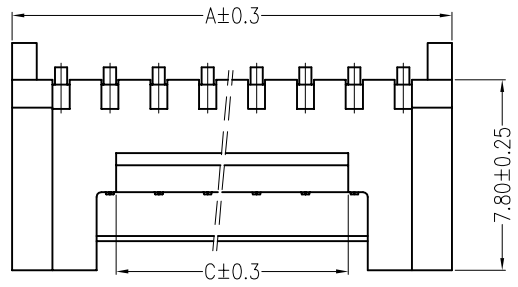
广东科斯达电子科技有限公司
GUANG DONG KE SI DA ELECTRONIC TECHNOLOGY CO., LTD.

TITLE:
2.0mmPITCH 90°WAFER DIP TYPE

X.±0.5	X.±5'	USE:	CUSTOMER
.X±0.3	.X±2'	APPD:	邵敬和
.XX±0.25	.XX±1'	CHKD:	田峰
--	--	DR:	吴丹平

PART NO.:		A2002AW-**-A5WA-P-Q	
DWG NO.:		GCCP-0529	
SCALE	SHEET		
1 : 1	1 / 1		

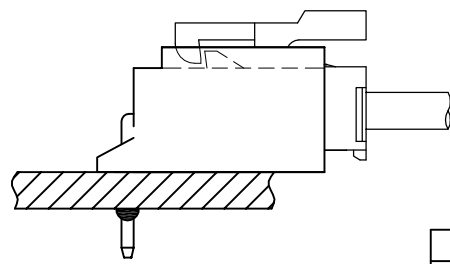
REV	DESCRIPTION	DESIGN	DATE
A0	Release	蒋建银	2018.01.15



主要技术参数 Main Specifications

- 线数 (Poles): 02 to 16
- 接触电阻 (Contact resistance): $\leq 20m\Omega$
- 绝缘电阻 (Insulation resistance): $\geq 1000M\Omega$
- 额定电压 (Rated voltage): 250V AC DC
- 额定电流 (Rated current): 2.0A AC DC
- 耐电压 (Withstand Voltage): 1000V AC/minute
- 温度范围 (Temperature Range): $-25^{\circ}C \sim +85^{\circ}C$

SUGGESTED PCB LAYOUT



Assembly Layout

ORDER INFORMATION:

A2002AWD--A5WA-P**

PART No. _____
 No. OF CIRCUITS: _____
 02~16
 PLASTIC MATERIAL: _____
 A5W=PA66 (WHITE)

PACKAGING: P=PE
 PLATING: A=Sn

Circuits	Dimensions (mm)				Circuits	Dimensions (mm)			
	A	B	C	D		A	B	C	D
02	6.00	2.00	3.00	4.90	10	22.00	18.00	16.00	20.90
03	8.00	4.00	3.50	6.90	11	24.00	20.00	18.00	22.90
04	10.00	6.00	4.00	8.90	12	26.00	22.00	20.00	24.90
05	12.00	8.00	6.00	10.90	13	28.00	24.00	22.00	26.90
06	14.00	10.00	8.00	12.90	14	30.00	26.00	24.00	28.90
07	16.00	12.00	10.00	14.90	15	32.00	28.00	26.00	30.90
08	18.00	14.00	12.00	16.90	16	34.00	30.00	28.00	32.90
09	20.00	16.00	14.00	18.90					

ITEM	COMPONENT	Q'TY	MATERIAL	FINISH
C				
B	CONTACT	2~16 PCS	Brass	Sn-plated
A	PEDESTAL	1 PCS	PA66	COLOR:WHITE

广东科斯达电子科技有限公司
 GUANG DONG KE SI DA ELECTRONIC TECHNOLOGY CO., LTD.

TITLE: 2.0mmPITCH 90°WAFER DIP TYPE

PART NO.: A2002AWD-**-A5WA-P

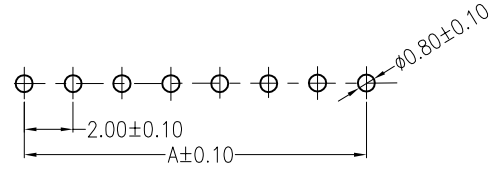
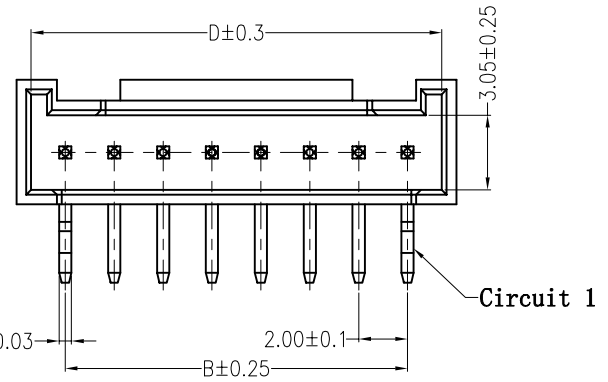
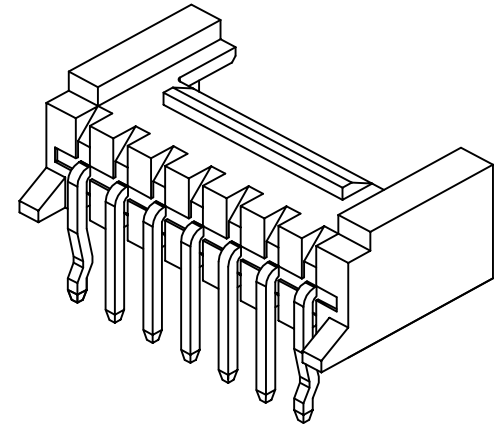
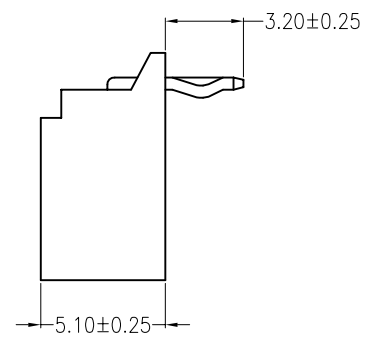
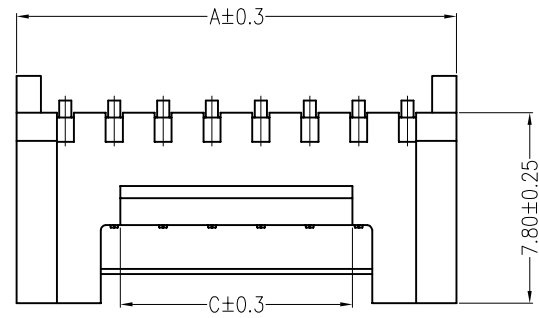
DWG NO.: GCCP-0619

SCALE: 1 : 1 SHEET: 1 / 1

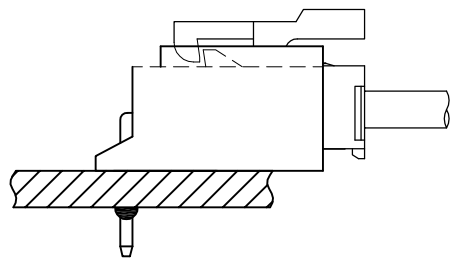
USE: CUSTOMER
 APPD: 邵敬和
 CHKD: 田峰
 DR: 蒋建银

UNITS: mm

REV	DESCRIPTION	DESIGN	DATE
A0	Release	张一荣	2013.04.12



SUGGESTED PCB LAYOUT



Assembly Layout

ORDER INFORMATION:

A2002AWD--A5WA-P-Q**

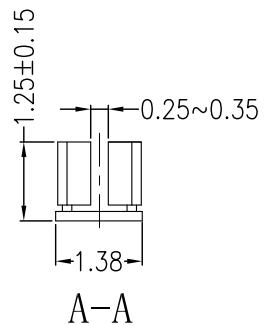
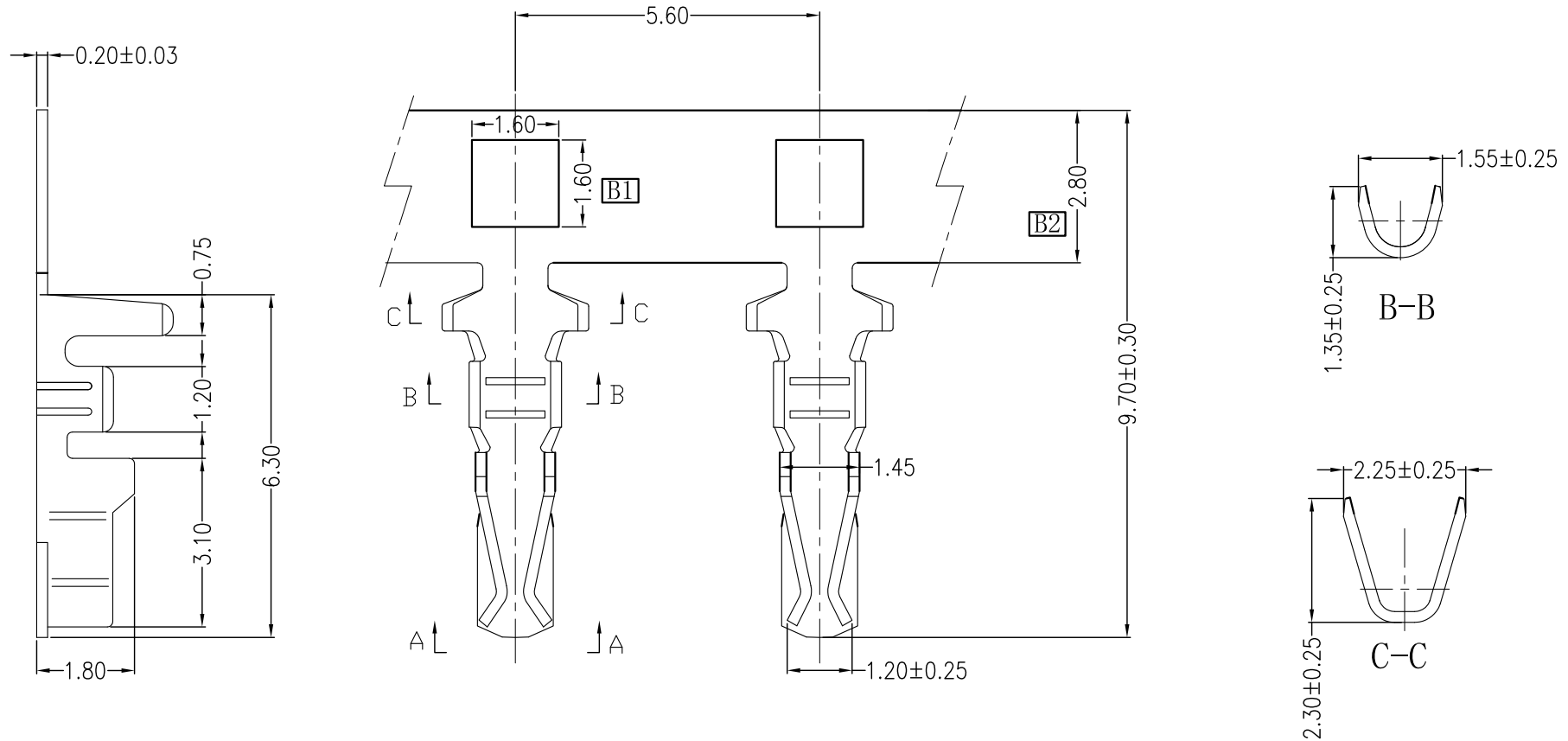
PART No.:	Special code:
No. OF CIRCUITS:	Q=With PIN kinked
02~16	PACKAGING:
PLASTIC MATERIAL:	P=PE
A5W=PA66 (BEIGE)	PLATING:
	A=Sn

Circuits	Dimensions (mm)				Circuits	Dimensions (mm)			
	A	B	C	D		A	B	C	D
02	6.00	2.00	3.00	4.90	10	22.00	18.00	16.00	20.90
03	8.00	4.00	3.50	6.90	11	24.00	20.00	18.00	22.90
04	10.00	6.00	4.00	8.90	12	26.00	22.00	20.00	24.90
05	12.00	8.00	6.00	10.90	13	28.00	24.00	22.00	26.90
06	14.00	10.00	8.00	12.90	14	30.00	26.00	24.00	28.90
07	16.00	12.00	10.00	14.90	15	32.00	28.00	26.00	30.90
08	18.00	14.00	12.00	16.90	16	34.00	30.00	28.00	32.90
09	20.00	16.00	14.00	18.90					

ITEM	COMPONENT	Q'TY	MATERIAL	FINISH
C				
B	CONTACT	2~16 PCS	Brass	Sn-plated
A	PEDESTAL	1 PCS	PA66	COLOR:WHITE

<p>广东科斯达电子科技有限公司 GUANG DONG KE SI DA ELECTRONIC TECHNOLOGY CO., LTD.</p>	<p>USE: CUSTOMER</p>		<p>TITLE: 2.0mmPITCH 90°WAFER DIP TYPE</p> <p>PART NO.: A2002AWD-**-A5WA-P-Q</p> <p>DWG NO.: GCCP-0619</p>	
	.X±0.5	.X±5'		<p>APPD: 邵敬和</p>
	.X±0.3	.X±2'		
	.XX±0.25	.XX±1'		<p>CHKD: 田峰</p>
<p>UNITS: mm</p>	<p>DR: 蒋建银</p>	<p>SCALE: 1 : 1</p>	<p>SHEET: 1 / 1</p>	

REV	ECN No.	DESCRIPTION	DESIGN	DATE
A0		Release	吴丹平	2015.07.01
B		新模, 步距孔改为方孔	蒋建银	2023.01.05

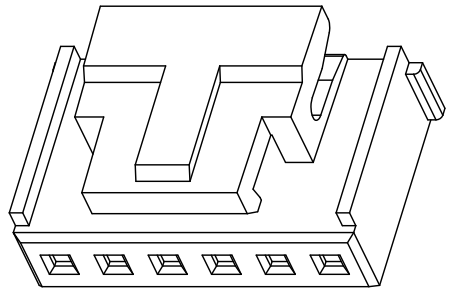
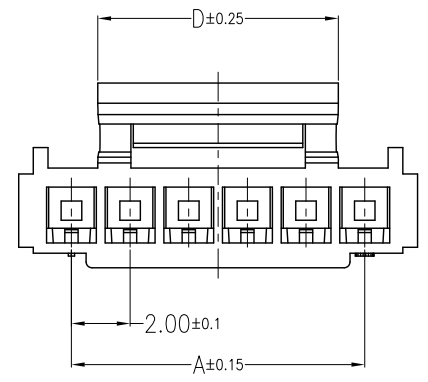


Ordering Information & Specification:

Part No	Wire Range	Insulation O.D.	Material	Finish	Qty/Reel
A2002T	AWG #22~#30	1.60mm(max)	Phosphor bronze	Sn: 2.5~5.0um	

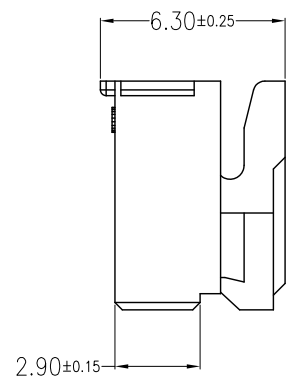
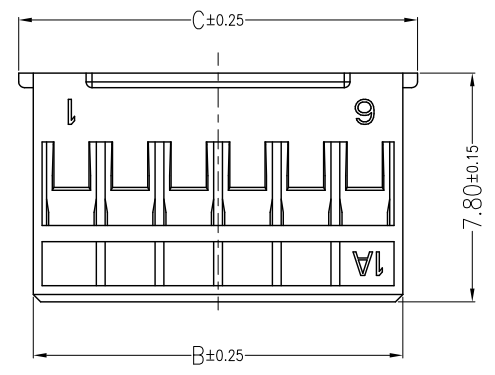
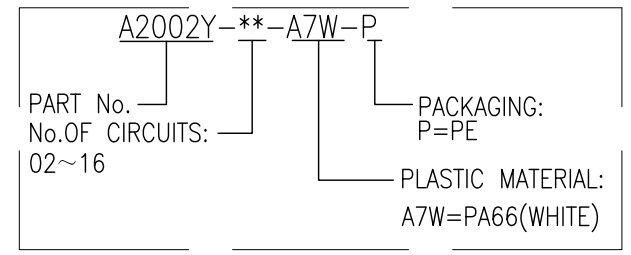
广东科斯达电子科技有限公司 GUANG DONG KE SI DA ELECTRONIC TECHNOLOGY CO., LTD.			TITLE: A2002 端子 -		
X±0.5	X±5'	USE: CUSTOMER	PART NO.:		
.X±0.3	.X±2'		A2002T		
.XX±0.25	.XX±1'	APPD: 邵敬和	DWG NO.:		
--	--	CHKD: 田峰	GCDZ-0005		
	UNITS: mm	DR: 吴丹平	SCALE: 1:1	SHEET: 1/1	

REV	DESCRIPTION	DESIGN	DATE
A	NEW RELEASE	Z.M.Xue	2023.03.23



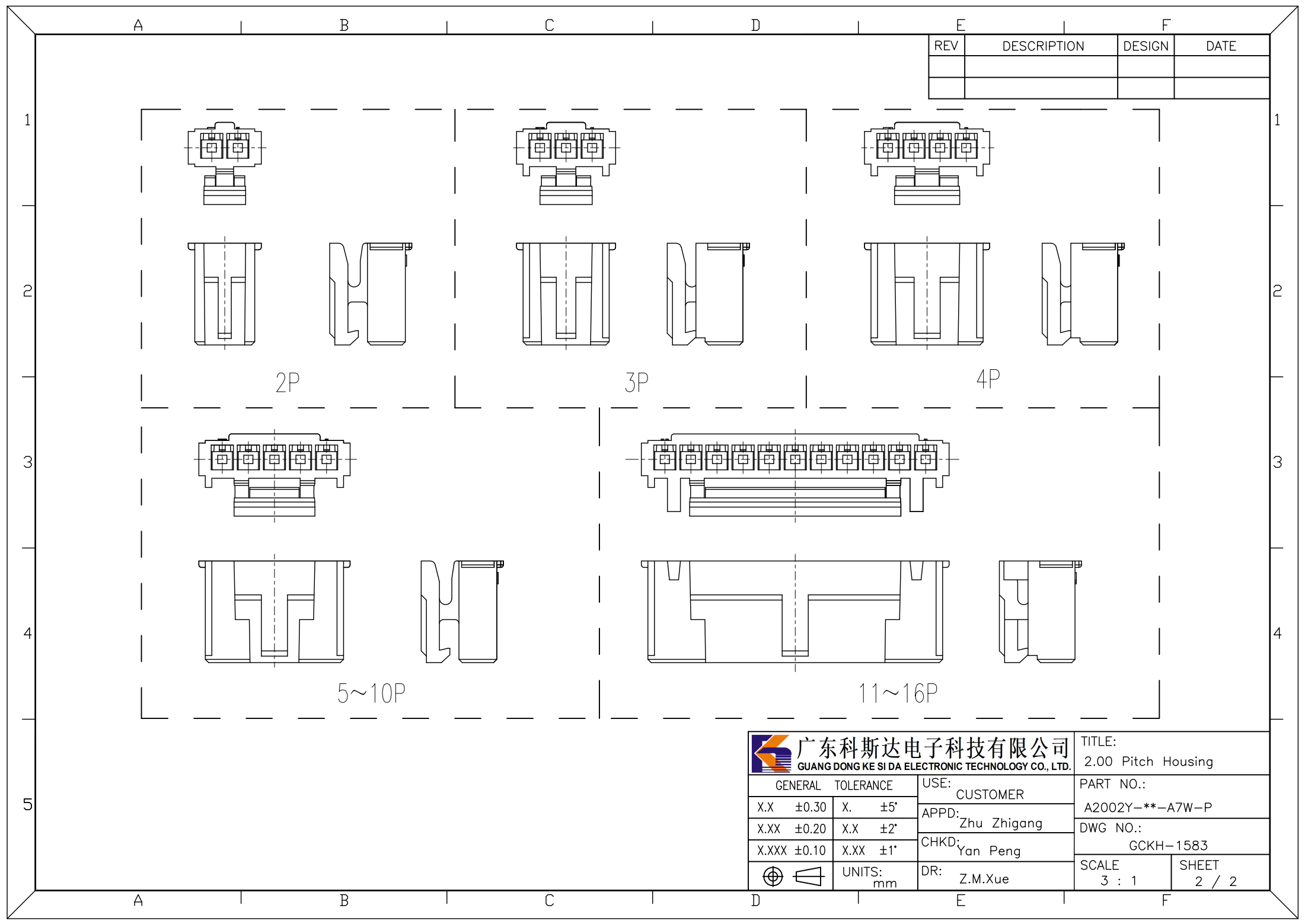
Specifications:
 Contact resistance: ≤20mΩ
 Insulation resistance: ≥1000MΩ
 Rated voltage: 250V AC DC
 Rated current: 2.0A AC DC
 Withstand Voltage: 1000V AC/minute
 Temperature Range: -40°C ~ +105°C
 Housing: PA66 UL94V-0, WHITE

ORDER INFORMATION:



PIN.	DIM A	DIM B	DIM C	DIM D	PIN.	DIM A	DIM B	DIM C	DIM D
2	2.00	4.60	5.60	3.20	10	18.00	20.60	21.60	16.20
3	4.00	6.60	7.60	4.00	11	20.00	22.60	23.60	16.20
4	6.00	8.60	9.60	5.00	12	22.00	24.60	25.60	16.20
5	8.00	10.60	11.60	6.20	13	24.00	26.60	27.60	16.20
6	10.00	12.60	13.60	8.20	14	26.00	28.60	29.60	16.20
7	12.00	14.60	15.60	10.20	15	28.00	30.60	31.60	16.20
8	14.00	16.60	17.60	12.20	16	30.00	32.60	33.60	16.20
9	16.00	18.60	19.60	14.20					

广东科斯达电子科技有限公司 GUANG DONG KE SI DA ELECTRONIC TECHNOLOGY CO., LTD.		TITLE: 2.00 Pitch Housing	
		PART NO.: A2002Y-**-A7W-P	
GENERAL TOLERANCE		USE: CUSTOMER	
X.X ±0.30	X. ±5'	APPD: Zhu Zhigang	
X.XX ±0.20	X.X ±2'	CHKD: Yan Peng	
X.XXX ±0.10	X.XX ±1'	DR: Z.M.Xue	
UNITS: mm		SCALE 4 : 1	SHEET 1 / 2






广东科斯达电子科技有限公司
 GUANG DONG KE SI DA ELECTRONIC TECHNOLOGY CO., LTD.

TITLE: 2.00 Pitch Housing

GENERAL TOLERANCE		USE: CUSTOMER
X.X ±0.30	X. ±5°	APPD: Zhu Zhigang
X.XX ±0.20	X.X ±2°	CHKD: Yan Peng
X.XXX ±0.10	X.XX ±1°	DR: Z.M.Xue

PART NO.: A2002Y-**-A7W-P

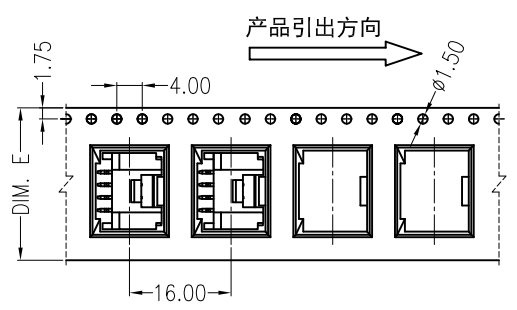
DWG NO.: GCKH-1583



 UNITS: mm

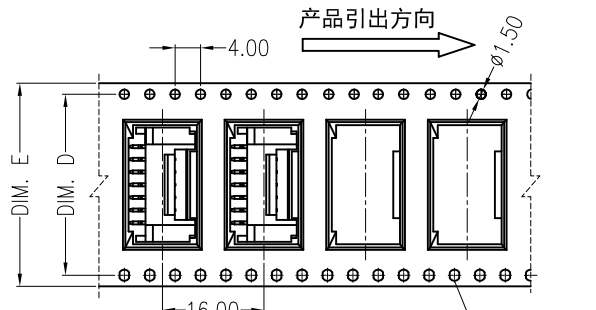
SCALE 3 : 1

SHEET 2 / 2

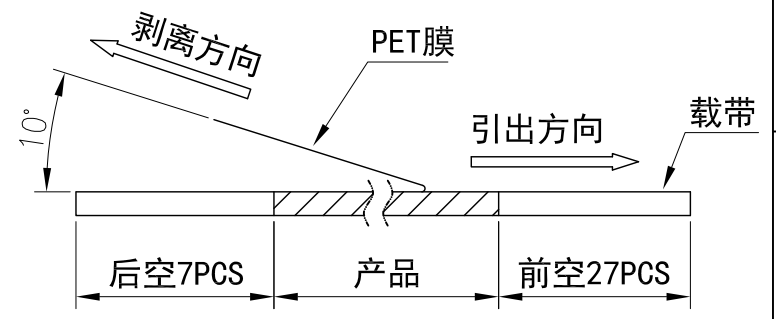
REV	ECN No.	DESCRIPTION	DESIGN	DATE
A		Release	蒋建银	2018.06.22



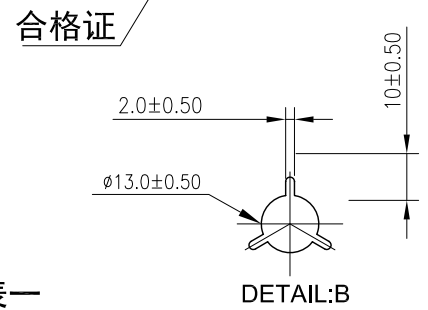
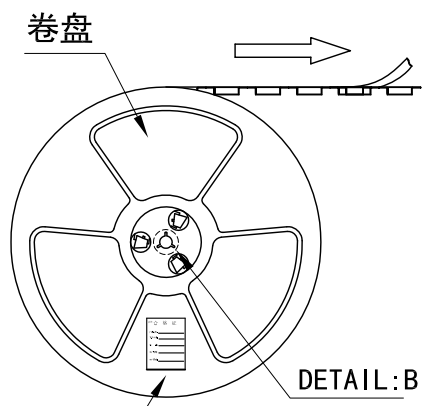
02~06 CONTACTS



07~16 CONTACTS

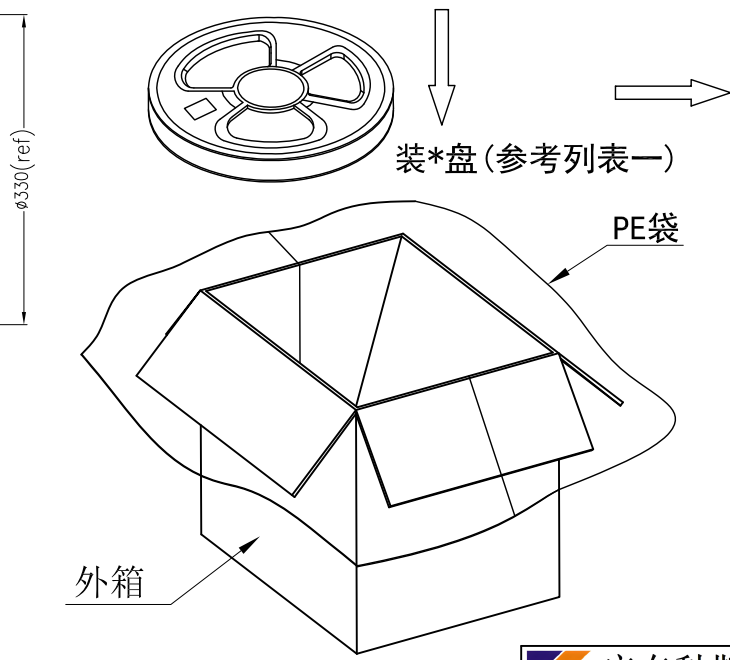


(PET膜剥离示意图)

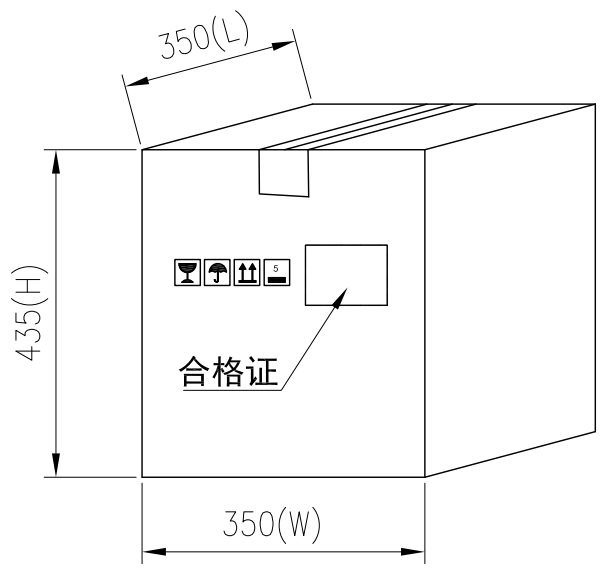


列表一

Circuits	DIM. D	DIM. E	Q'ty/Reel	Packing (Reel/Caton)
02-03PIN	-	16	800PCS	20/Reel
04-06PIN	-	24	800PCS	15/Reel
07PIN	28.4	32	800PCS	11/Reel
08-14PIN	40.4	44	800PCS	8/Reel
15-16PIN	52.4	56	800PCS	7/Reel



包装说明:
 1. 把成品包入卷盘中, 每盘装800PCS, 卷盘上贴上合格证, 将装好产品的卷盘放进外箱中, 外箱内先套一个大PE袋, 外箱上贴贴上合格证。
 2. 所有材料有害物控制需符合RoHS标准。

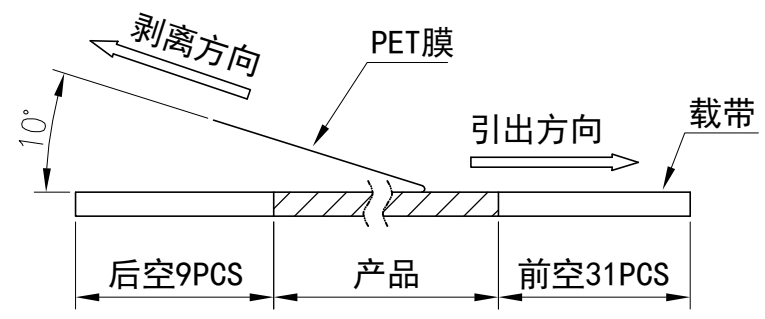
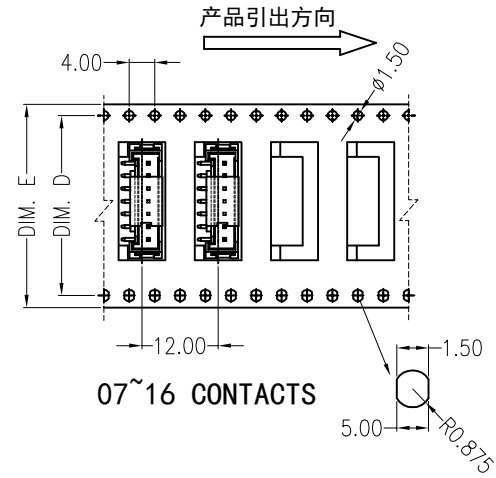
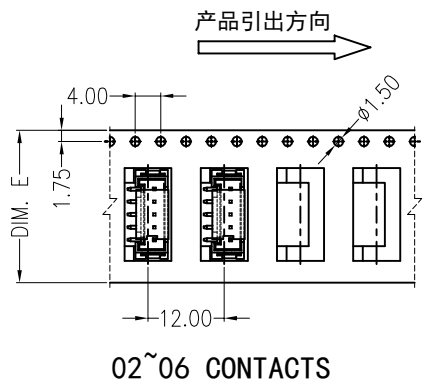


广东科斯达电子科技有限公司
 GUANG DONG KE SI DA ELECTRONIC TECHNOLOGY CO., LTD.

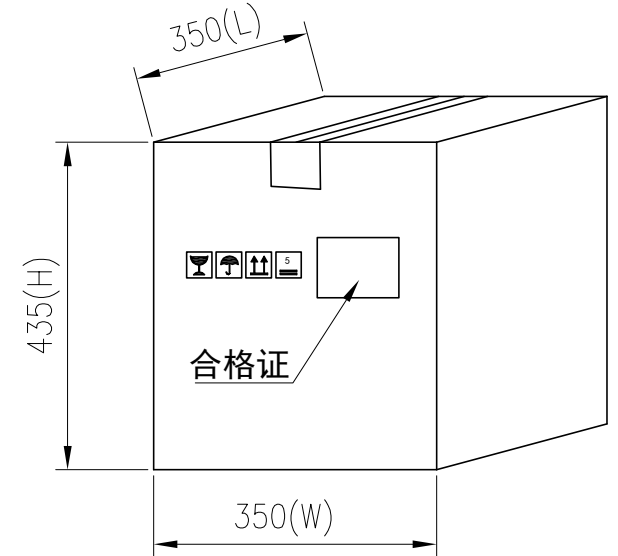
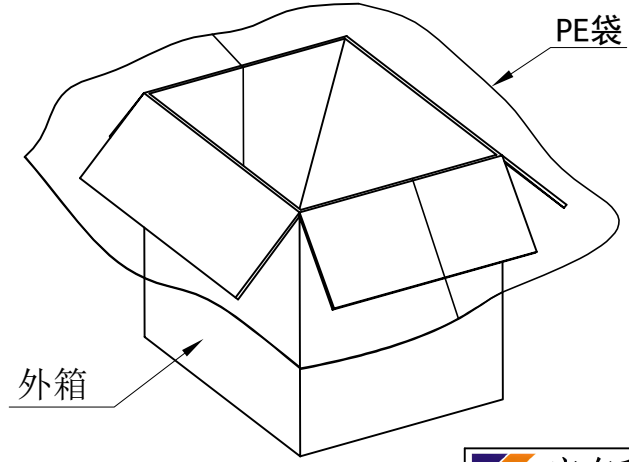
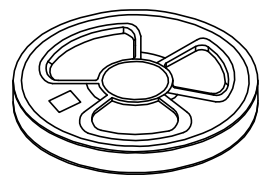
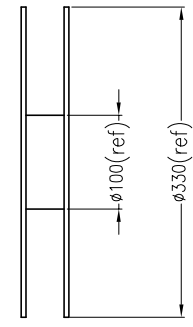
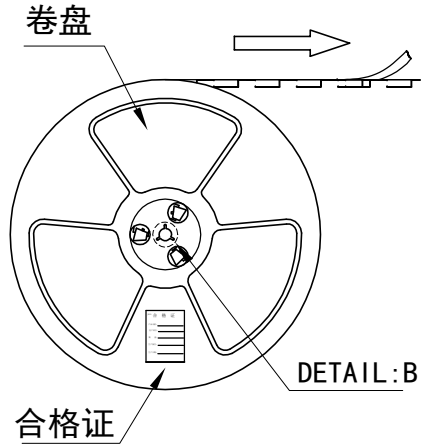
X.± 0.5	X.±'	USE: CUSTOMER
.X± 0.3	.X±'	APPD: 邵敬和
.XX±0.25	.XX±'	CHKD: 田峰
--	--	DR: 蒋建银
UNITS: mm		

TITLE:	
PART NO.:	A2002AWR 卷装规范
DWG NO.:	GCBZ-0513
SCALE	SHEET
1 : 1	1 / 1

REV	ECN No.	DESCRIPTION	DESIGN	DATE
A		Release	吴丹平	2015.11.12



(PET膜剥离示意图)



列表一

Circuits	DIM. D	DIM. E	Q'ty/Reel	Packing (Reel/Caton)
02-06PIN	-	24	600PCS	15/Reel
07-08PIN	28.4	32	600PCS	11/Reel
09~14PIN	40.4	44	600PCS	8/Reel
15~16PIN	52.4	56	600PCS	7/Reel

包装说明:

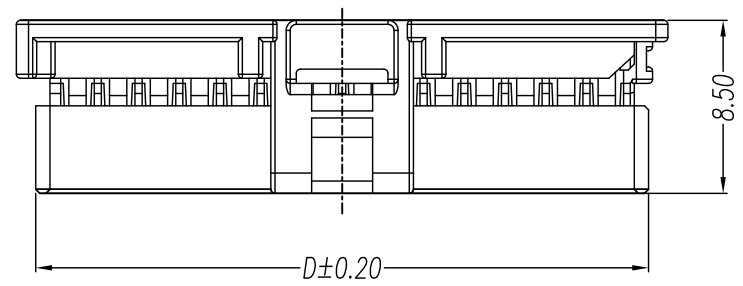
- 把成品包入卷盘中, 每盘装600PCS, 卷盘上贴上合格证, 将装好产品的卷盘放进外箱中, 外箱内先套一个大PE袋, 外箱上贴贴上合格证.
- 所有材料有害物控制需符合RoHS标准.

广东科斯达电子科技有限公司
GUANG DONG KE SI DA ELECTRONIC TECHNOLOGY CO., LTD.

X.± 0.5	X.±'	USE:	CUSTOMER
.X± 0.3	.X±'	APPD:	
.XX±0.25	.XX±'	CHKD:	
--	--	DR:	
UNITS: mm			

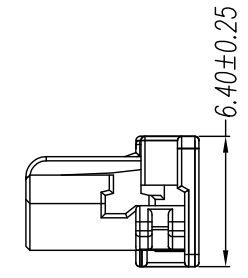
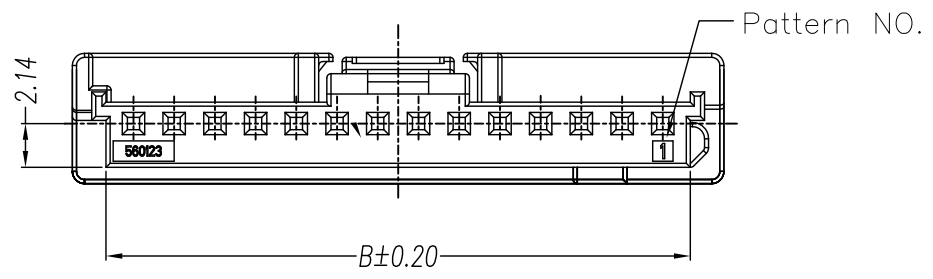
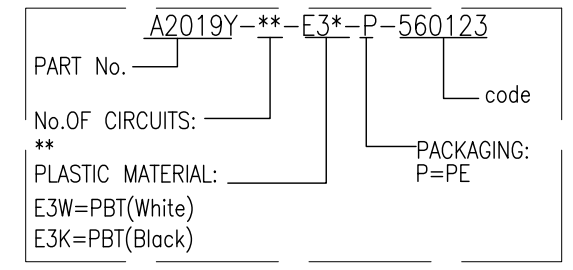
TITLE:	
PART NO.:	A2002AWV 卷装规范
DWG NO.:	GCBZ-0528
SCALE	SHEET
1 : 1	1 / 1

REV	DESCRIPTION	DESIGN	DATE
A	NEW RELEASE	方松乐	2022/02/12

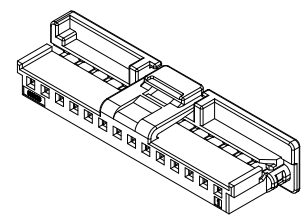
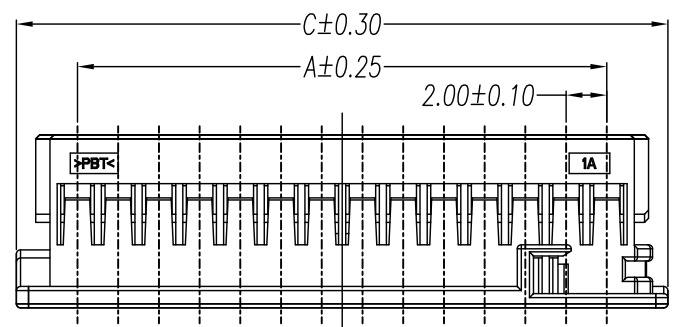


Specifications:
 Contact resistance: ≤10mΩ
 Insulation resistance: ≥1000MΩ
 Rated voltage: 125V AC DC
 Rated current: 3.0A AC DC
 Withstand Voltage: 500V AC/minute
 Temperature Range: -40°C ~ +125°C
 Housing: PBT UL94V-0, Natural

ORDER INFORMATION:



PIN.	DIM A	DIM B	DIM C	DIM D	PIN.	DIM A	DIM B	DIM C	DIM D
2pin	2.00	4.70	8.00	6.10	9pin	16.00	18.70	22.00	20.10
3pin	4.00	6.70	10.00	8.10	10pin	18.00	20.70	24.00	22.10
4pin	6.00	8.70	12.00	10.10	11pin	20.00	22.70	26.00	24.10
5pin	8.00	10.70	14.00	12.10	12pin	22.00	24.70	28.00	26.10
6pin	10.00	12.70	16.00	14.10	13pin	24.00	26.70	30.00	28.10
7pin	12.00	14.70	18.00	16.10	14pin	26.00	28.70	32.00	30.10
8pin	14.00	16.70	20.00	18.10	15pin	28.00	30.70	34.00	32.10



广东科斯达电子科技有限公司 GUANG DONG KE SI DA ELECTRONIC TECHNOLOGY CO., LTD.		TITLE: 2.00mm Housing	
		PART NO.: A2019Y-**-E3*-P-560123	
GENERAL TOLERANCE		USE: CUSTOMER	
X. ±0.50	X. ±5°	APPD: 张忠永	
X.X ±0.30	X.X ±2°	CHKD: 曾令青	
X.XX ±0.20	X.XX ±1°	DR: 方松乐	
UNITS: mm		SCALE: 1 : 1	
		SHEET: 1 / 2	

A

B

C

D

E

F

REV	DESCRIPTION	DESIGN	DATE
A	NEW RELEASE	方松乐	2022/02/12

1

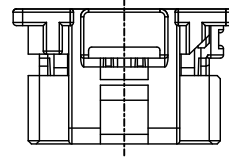
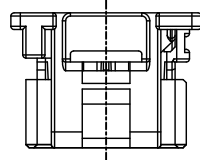
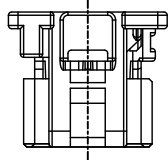
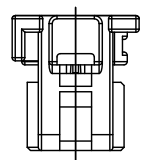
1

2Y

3Y

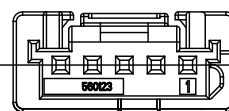
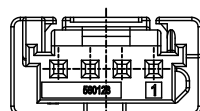
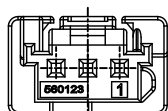
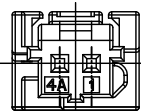
4Y

5Y



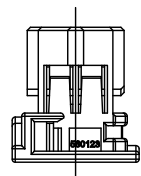
2

2



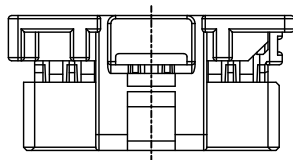
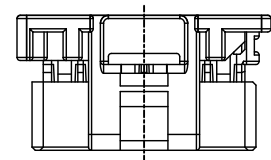
3

3



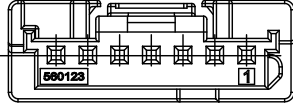
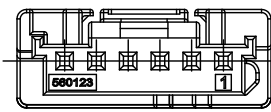
6Y

7-15Y



4

4



5

5

A




B

C

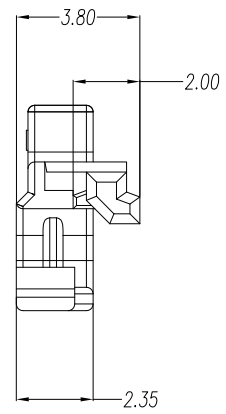
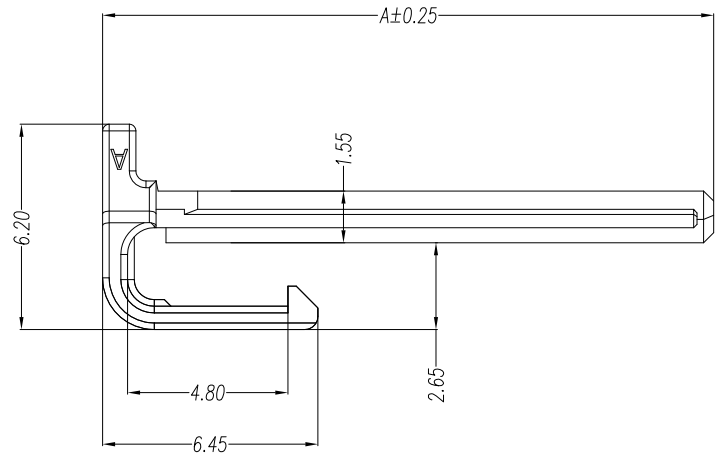
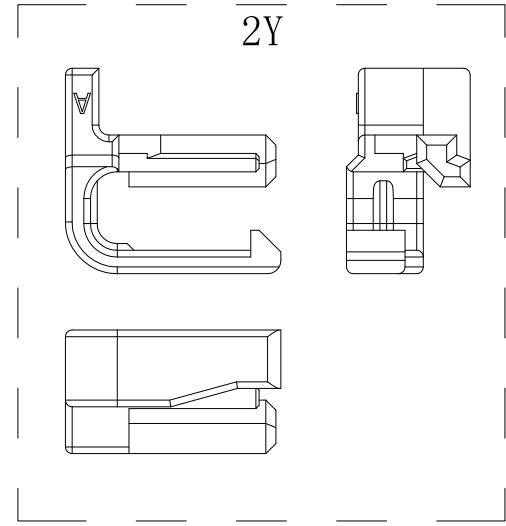
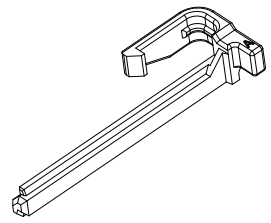
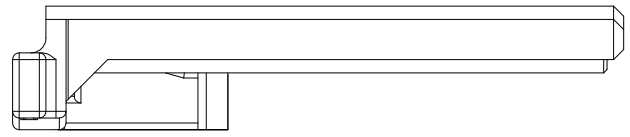
D

E

F

 广东科斯达电子科技有限公司 GUANG DONG KE SI DA ELECTRONIC TECHNOLOGY CO., LTD.		TITLE: 2.00mm Housing	
GENERAL TOLERANCE X. ±0.50 X. ±5° X.X ±0.30 X.X ±2° X.XX ±0.20 X.XX ±1°		USE: CUSTOMER APPD: 张忠永 CHKD: 曾令青 DR: 方松乐	
  UNITS: mm		PART NO.: A2019Y-**-E3*-P-560123 DWG NO.: GCKH-0963 SCALE 1 : 1	
		SHEET 2 / 2	

REV	DESCRIPTION	DESIGN	DATE
A	NEW RELEASE	方松乐	2022/02/12



ORDER INFORMATION:

A2019PS-**-E3G-P

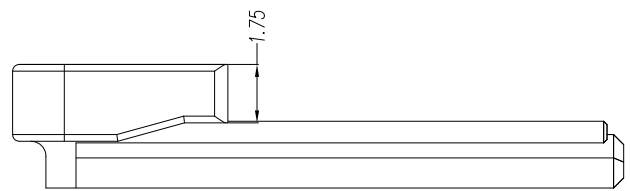
PART No. _____ PACKAGING: P=PE

No.OF CIRCUITS: _____

**

PLASTIC MATERIAL: _____

E3G=PBT (Gray)



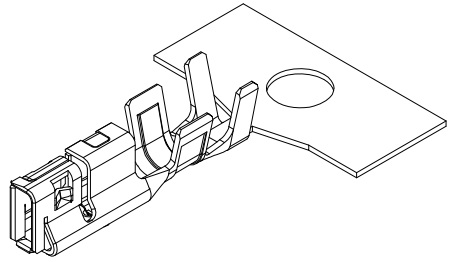
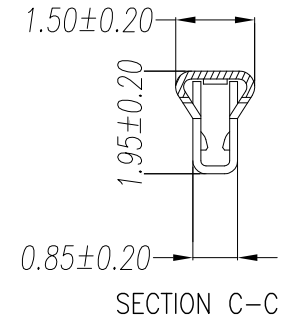
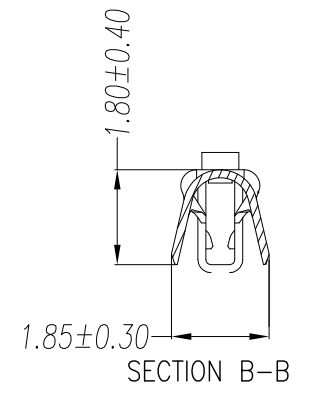
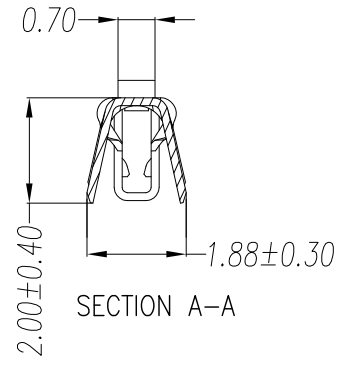
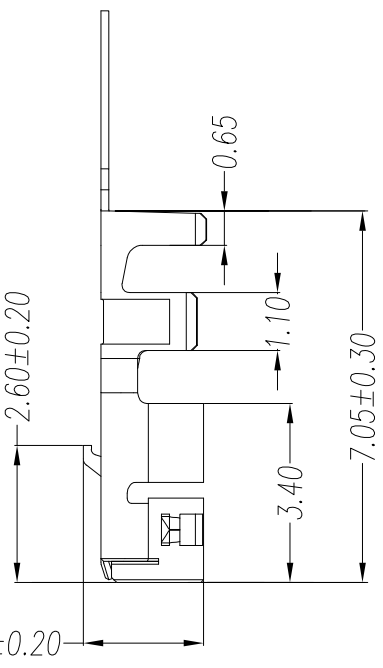
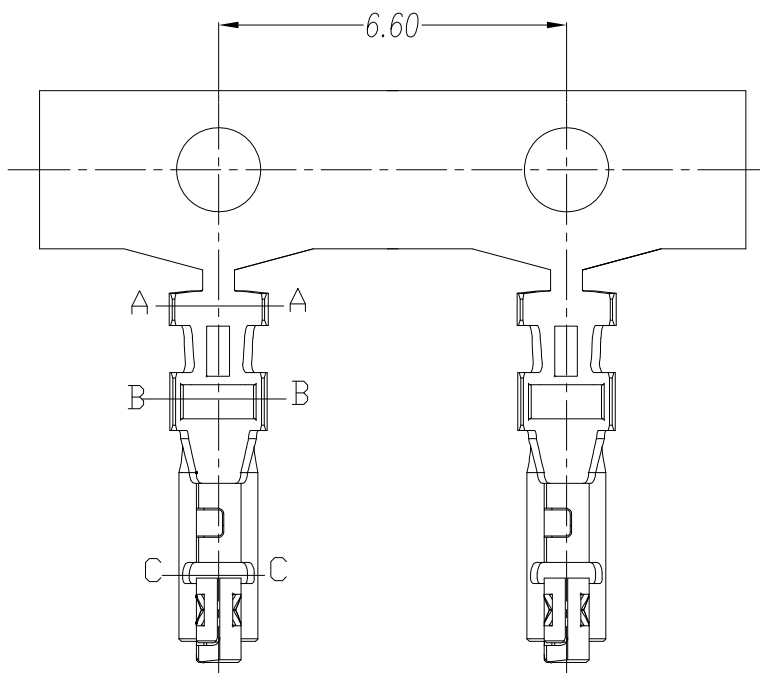
PIN.	DIM A	PIN.	DIM A
2pin	6.30	9pin	20.30
3pin	8.30	10pin	22.30
4pin	10.30	11pin	24.30
5pin	12.30	12pin	26.30
6pin	14.30	13pin	28.30
7pin	16.30	14pin	30.30
8pin	18.30	15pin	32.30

广东科斯达电子科技有限公司
GUANG DONG KE SI DA ELECTRONIC TECHNOLOGY CO., LTD.

GENERAL TOLERANCE		USE:
X. ±0.50	X. ±5°	CUSTOMER
X.X ±0.30	X.X ±2°	APPD: 张忠永
X.XX ±0.20	X.XX ±1°	CHKD: 曾令青
	UNITS: mm	DR: 方松乐

TITLE: 2.00mm RETAINER	
PART NO.: A2019PS-**-E3G-P	
DWG NO.: GCKH-0964	
SCALE 1 : 1	SHEET 1 / 1

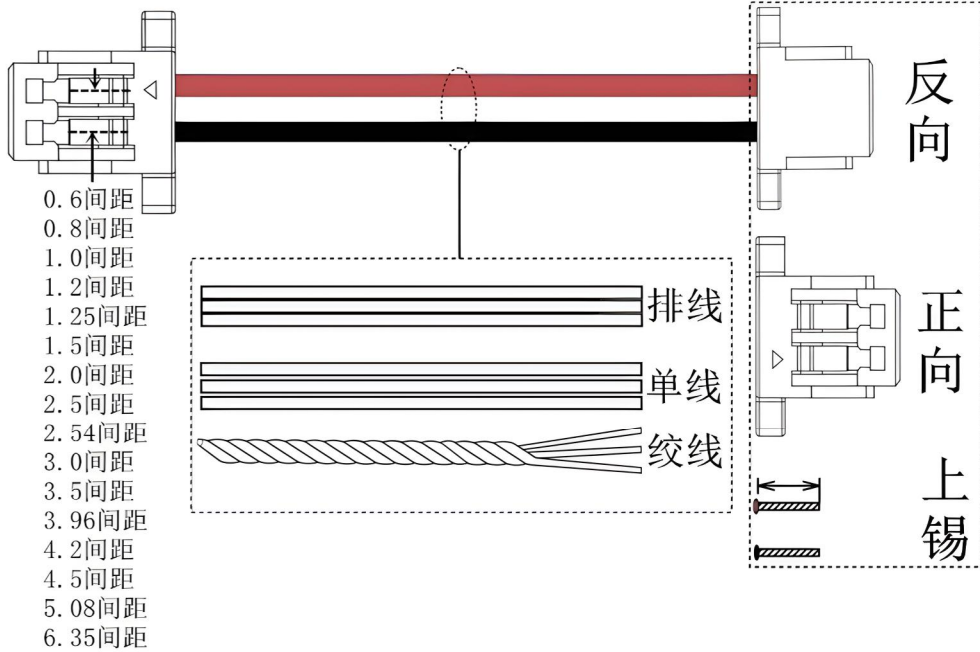
REV	DESCRIPTION	DESIGN	DATE
A	NEW RELEASE	方松乐	2022/02/12



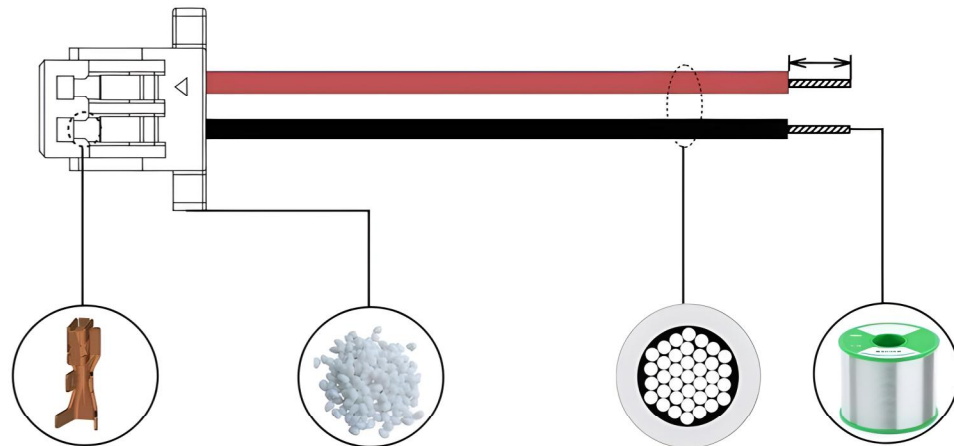
Ordering Information & Specification:

Part No	Wire Range	Insulation O.D.	Material	Finish	Qty/Reel
A2019T-01端子	AWG #22~#28	1.40mm MAX	Phosphor bronze	Sn-plated	

广东科斯达电子科技有限公司 GUANG DONG KE SI DA ELECTRONIC TECHNOLOGY CO., LTD.		TITLE: 2.00mm Terminal	
		PART NO.: A2019T-01端子	
GENERAL TOLERANCE		USE: CUSTOMER	
X. ±0.50	X. ±5°	APPD: 张忠永	
X.X ±0.30	X.X ±2°	CHKD: 曾令青	
X.XX ±0.20	X.XX ±1°	DR: 方松乐	
UNITS: mm		SCALE 1 : 1	SHEET 1 / 1



可定制·线色选择



黄铜 磷铜
先镀 后镀

PT-PBT 94V-0

660-PA66 94V-0

PGN0-P-640PG3G-NC (15%GF)

$\times 0.1\text{mm}$ 环保无铅锡线

$\times 0.12\text{mm}$

$\times 0.16\text{mm}$

广东科斯达电子科技有限公司 GUANG DONG KE SI DA ELECTRONIC TECHNOLOGY CO., LTD.			TITLE: NH-T 端子 -	
X.±0.1	X.±1'	USE: MANUFACTURE	PART NO.:	
.X±0.05	.X±0.5'		DWG NO.:	
.XX±0.01	.XX±0.1'	APPD: 刘振岭	SCALE	
.XXX±0.005	.XXX±0.05'	CHKD: 王亮	1 : 1	SHEET
		UNITS: mm	DR: 蒋建银	1 / 1

电子线尺寸规格表

PVC绝缘电子线

型号	线规	铜丝材质	外皮材质	额定温度	额定电压
UL1007	30-16AWG	镀锡铜	PVC	80°C	300V
UL1015	26-10AWG	镀锡铜	PVC	105°C	600V
UL1061	32-14AWG	镀锡铜	PVC	80°C	300V
UL1571	32-14AWG	镀锡铜	PVC	80°C	30V
UL1672	26-12AWG	镀锡铜	PVC	105°C	300V
UL1617	24-10AWG	镀锡铜	PVC	105°C	600V
UL1569	30-10AWG	镀锡铜	PVC	105°C	300V
H05V-K VDE认证线	0.2-2.5MM ²	裸铜镀锡铜	PVC	70°C	300V/500V
RV线	0.2-6.0MM ²	裸铜	PVC	70°C	300V/500V
BV线	0.5-2.5MM ²	裸铜	PVC	70°C	450V/750V
BVV线	0.75-16MM ²	裸铜	PVC	70°C	450V/750V
BVR线	0.5-16MM ²	裸铜	PVC	70°C	450V/750V

XL-PE绝缘无卤线

型号	线规	铜丝材质	外皮材质	额定温度	额定电压
UL1430	30-16AWG	镀锡铜	XL-PVC	105°C	300V
UL10368	30-10AWG	镀锡铜	XL-PE	105°C	300V
UL3266	32-8AWG	镀锡铜	XL-PE	105°C	300V
UL3302	32-16AWG	镀锡铜	XL-PE	105°C	30V
UL3385	30-10AWG	镀锡铜	XL-PE	105°C	300V
UL3396	30-14AWG	镀锡铜	XL-PE	105°C	300V

PFA/FEP绝缘铁氟龙线

型号	线规	铜丝材质	外皮材质	额定温度	额定电压
UL1322	30-14AWG	镀锡铜	FEP	200°C	300V
UL1322双层绝缘线	28-10AWG	镀锡铜	FEP	200°C	300V
UL10064	32-10AWG	镀锡铜	FEP	105°C	30V
UL10362	30-06AWG	镀锡铜	PFA	250°C	600V
VDE铁氟龙线	0.25-1.5MM ²	镀锡铜	FEP	180°C	300V

硅橡胶绝缘高温线

型号	线规	铜丝材质	外皮材质	额定温度	额定电压
UL3239硅橡胶线	30-16AWG	镀锡铜	硅橡胶	200°C	3KV/6KV/10KV
UL3239双层绝缘线	24-18AWG	镀锡铜	硅橡胶	200°C	3KV6KV/10KV
UL3122编织线	24-16AWG	镀锡铜	硅橡胶	200°C	300V
UL3135硅橡胶线	32-10AWG	镀锡铜	硅橡胶	200°C	600V
UL3132硅橡胶线	30-24AWG	镀锡铜	硅橡胶	150°C	300V
CCC编织硅橡胶线	0.5-6.0MM ²	镀锡铜	硅橡胶	200°C	300V
平方硅橡胶线	0.2-2.5MM ²	镀锡铜	硅橡胶		
H05S-K VDE平方硅橡胶线	0.5-2.5MM ²	镀锡铜	硅橡胶	180°C	300V/500V

排线2-20P

型号	线规	铜丝材质	外皮材质	额定温度	额定电压
UL2468排线	30-16AWG	镀锡铜	PVC	80°C	300V
UL20080排线	28-24AWG	镀锡铜	PVC	80°C	30V
软白排线	2.0/2.54间距7*0.11	镀锡铜	PVC		
2651灰排线	2.0/2.54间距	镀锡铜	PVC	105°C	300V
2651红边灰排/灰排	间距1.0/1.27	镀锡铜	PVC	105°C	300V
透明排线	2-12P/7*0.14	镀锡铜	PVC		
彩色排线	30-18AWG	镀锡铜	PVC	80/105°C	

排线2-20P

型号	线规	铜丝材质	外皮材质	额定温度	额定电压
UL2468排线	30-16AWG	镀锡铜	PVC	80°C	300V
UL20080排线	28-24AWG	镀锡铜	PVC	80°C	30V
软白排线	2.0/2.54间距7*0.11	镀锡铜	PVC		
2651灰排线	2.0/2.54间距	镀锡铜	PVC	105°C	300V
2651红边灰排/灰排	间距1.0/1.27	镀锡铜	PVC	105°C	300V
透明排线	2-12P/7*0.14	镀锡铜	PVC		
彩色排线	30-18AWG	镀锡铜	PVC	80/105°C	

电子线颜色选型定制



 广东科斯达电子科技有限公司 GUANG DONG KE SI DA ELECTRONIC TECHNOLOGY CO., LTD.			TITLE: NH-T 端子	
X.±0.1	X.±1'	USE: MANUFACTURE	PART NO.:	
.X±0.05	.X±0.5'		A1003T 端子	
.XX±0.01	.XX±0.1'	APPD: 刘振岭	DWG NO.:	
.XXX±0.005	.XXX±0.05'	CHKD: 王亮	SCALE	
 UNITS: mm		DR: 蒋建银	1 : 1	SHEET 1 / 1