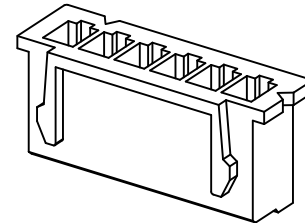
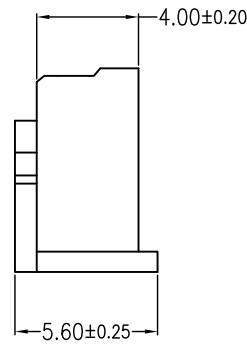
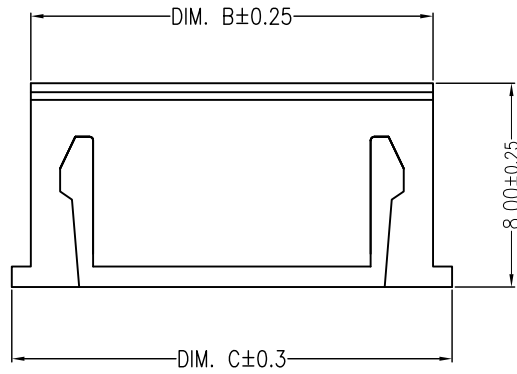


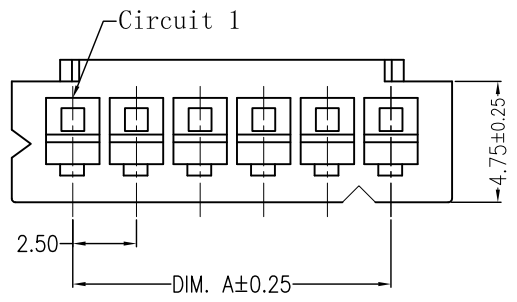
REV	DESCRIPTION	DESIGN	DATE
A0	Release	吴丹平	2017.05.19
B	添加防呆口示意图	蒋建银	2021.05.20

Circuits	Dimensions (mm)		
	DIM. A	DIM. B	DIM. C
02	2.50	5.80	7.30
03	5.00	8.30	9.80
04	7.50	10.80	12.30
05	10.00	13.30	14.80
06	12.50	15.80	17.30
07	15.00	18.30	19.80
08	17.50	20.80	22.30
09	20.00	23.30	24.80
10	22.50	25.80	27.30
11	25.00	28.30	29.80
12	27.50	30.80	32.30
13	30.00	33.30	34.80
14	32.50	35.80	37.30
15	35.00	38.30	39.80
16	37.50	40.80	42.30
17	40.00	43.30	44.90
18	42.50	45.80	47.30

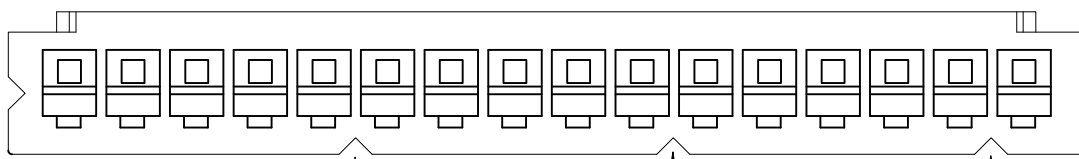
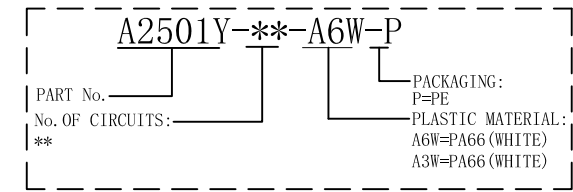


主要技术参数 Main Specifications

- 线数 (Poles): 02 to 16
- 接触电阻 (Contact resistance): $\leq 10\text{m}\Omega$
- 绝缘电阻 (Insulation resistance): $\geq 1000\text{M}\Omega$
- 额定电压 (Rated voltage): 250V AC DC
- 额定电流 (Rated current): 3.0A AC DC
- 耐电压 (Withstand Voltage): 1000V AC/minute
- 温度范围 (Temperature Range): $-25^{\circ}\text{C} \sim +85^{\circ}\text{C}$



ORDER INFORMATION:

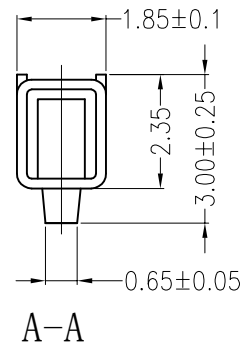
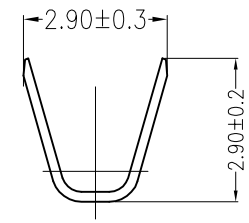
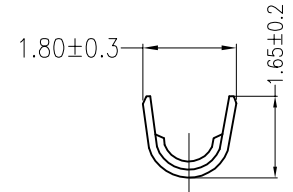
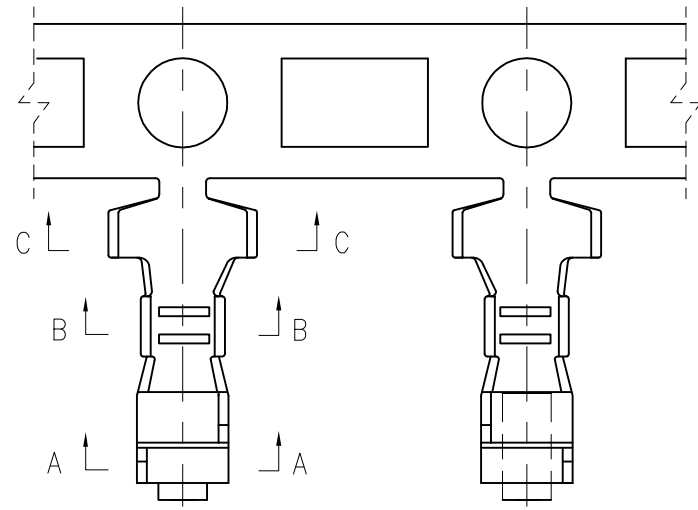
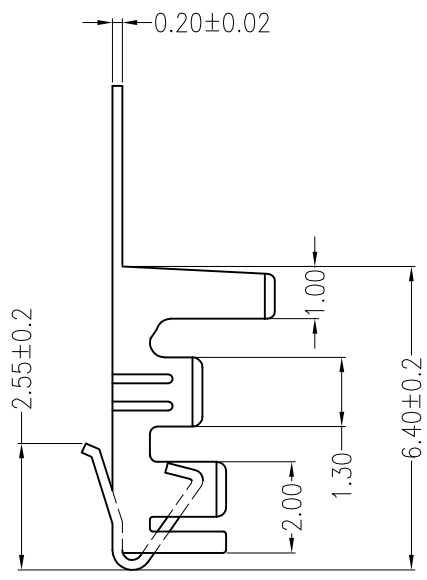


注: 1~5孔无防呆口 5&6 10&11 15&16

C				
B				
A	PEDESTAL	1 PCS	PA66	COLOR:WHITE
ITEM	COMPONENT	Q'TY	MATERIAL	FINISH


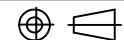
广东科斯达电子科技有限公司 GUANG DONG KE SI DA ELECTRONIC TECHNOLOGY CO., LTD.		TITLE: - 2.5mmPITCH Housing	
X.±0.5	X.±5'	USE:	PART NO.:
.X±0.3	.X±2'	CUSTOMER	A2501Y-**-A6W-P
.XX±0.25	.XX±1'	APPD: 邵敬和	DWG NO.:
--	--	CHKD: 田峰	GCCP-0544
UNITS: mm	DR: 吴丹平	SCALE	SHEET
		1 : 1	1 / 1

REV	DESCRIPTION	DESIGN	DATE
A0	Release	吴丹平	2015.07.01

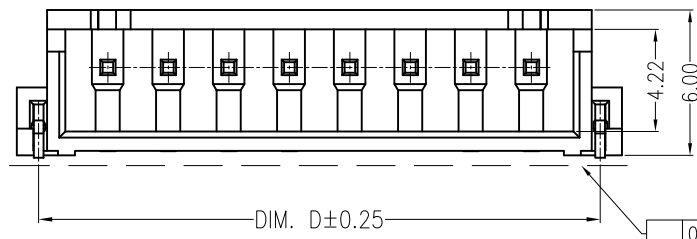
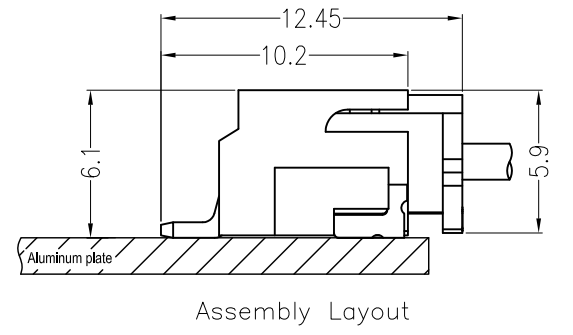
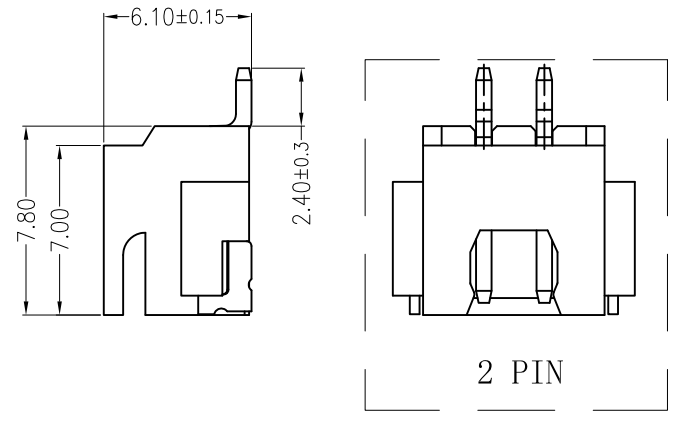
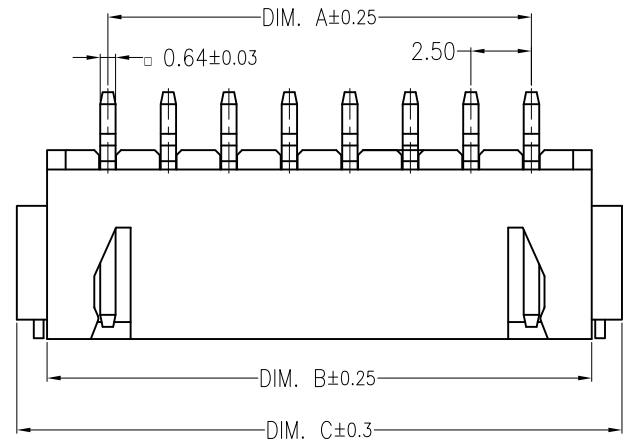


Ordering Information & Specification:

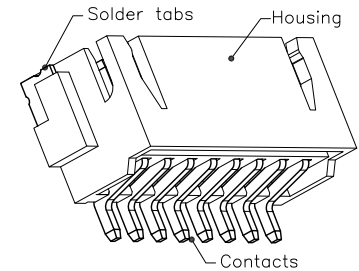
Part No	Wire Range	Insulation O.D.	Material	Finish	Qty/Reel
A2501T-PA	AWG #22~#28	1.90mm(max)	Phosphor bronze	Sn-plated	

 广东科斯达电子科技有限公司 GUANG DONG KE SI DA ELECTRONIC TECHNOLOGY CO., LTD.			TITLE: A2501 端子		
X.±0.5	X.±5'	USE: CUSTOMER	PART NO.: A2501T-PA		
.X±0.3	.X±2'		DWG NO.: GCDZ-0008		
.XX±0.25	.XX±1'		SCALE: 1 : 1		
--	--	CHKD: 田峰	SHEET: 1 / 1		
 UNITS: mm		DR: 吴丹平			

REV	DESCRIPTION	DESIGN	DATE
A0	NEW RELEASE	Wudanping	2016/04/10
A1	Adjust flatness	Jiangjianyin	2020/06/18



A1		
Δ	02P~11P	0.1 MAX
	12P~16P	0.12 MAX

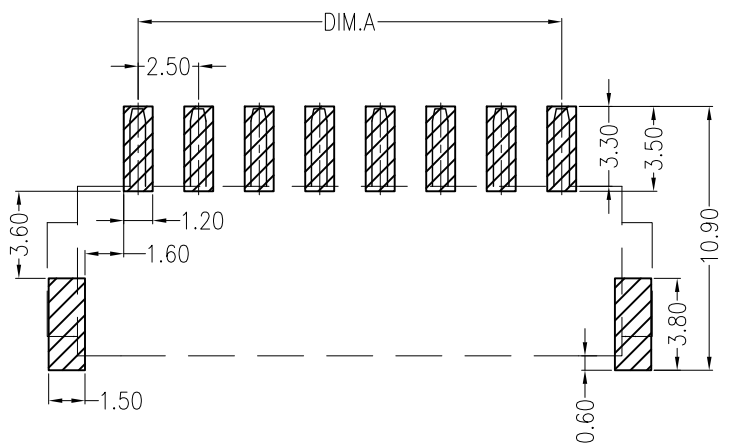
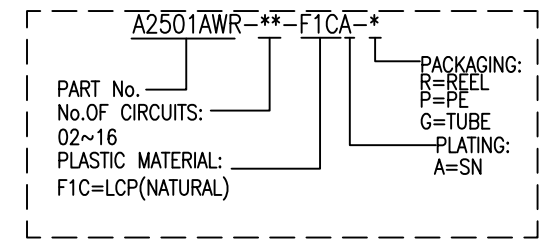


3D VIEWS

Specifications:

- Contact resistance: $\leq 20\text{m}\Omega$
- Insulation resistance: $\geq 1000\text{M}\Omega$
- Rated voltage: 250V AC DC
- Rated current: 3.0A AC DC
- Withstand voltage: 1000V AC/minute
- Temperature range: $-25^{\circ}\text{C} \sim +105^{\circ}\text{C}$
- Housing: LCP, UL94V-0, Natural
- Contacts: Brass/Sn
- Solder tabs: Brass/Sn

ORDER INFORMATION:



SUGGESTED PCB LAYOUT

Circuit	Dimensions (mm)			
	DIM. A	DIM. B	DIM. C	DIM. D
02	2.50	7.50	10.00	8.20
03	5.00	10.00	12.50	10.70
04	7.50	12.50	15.00	13.20
05	10.00	15.00	17.50	15.70
06	12.50	17.50	20.00	18.20
07	15.00	20.00	22.50	20.70
08	17.50	22.50	25.00	23.20
09	20.00	25.00	27.50	25.70
10	22.50	27.50	30.00	28.20
11	25.00	30.00	32.50	30.70
12	27.50	32.50	35.00	33.20
13	30.00	35.00	37.50	35.70
14	32.50	37.50	40.00	38.20
15	35.00	40.00	42.50	40.70
16	37.50	42.50	45.00	43.20

广东科斯达电子科技有限公司
GUANG DONG KE SI DA ELECTRONIC TECHNOLOGY CO., LTD.

GENERAL TOLERANCE	
X. ± 0.50	X. $\pm 5^{\circ}$
X.X ± 0.30	X.X $\pm 2^{\circ}$
X.XX ± 0.20	X.XX $\pm 1^{\circ}$

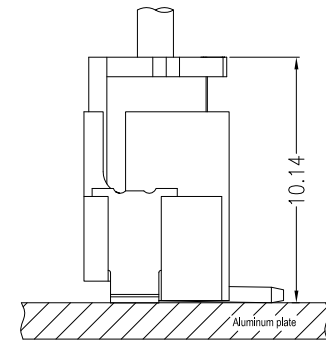
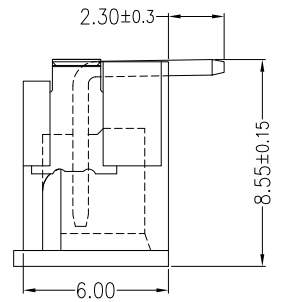
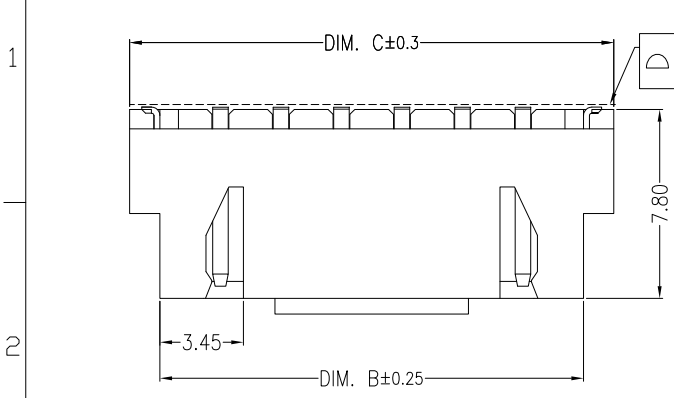
USE:	CUSTOMER
APPD:	Shaojinghe
CHKD:	Zenglingqing
DR:	Jiangjianyin

TITLE: 2.50mmPITCH 90°WAFER SMT TYPE	
PART NO.: A2501AWR-**-F1CA-*	
DWG NO.: GCKH-0542	
SCALE 1 : 1	SHEET 1 / 1

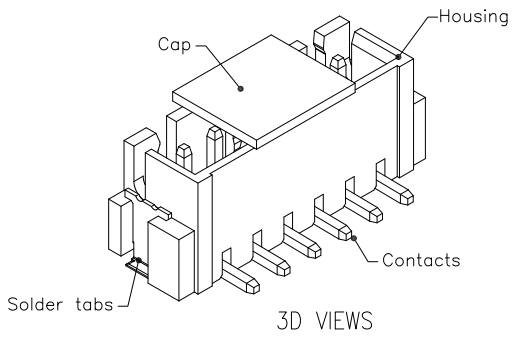
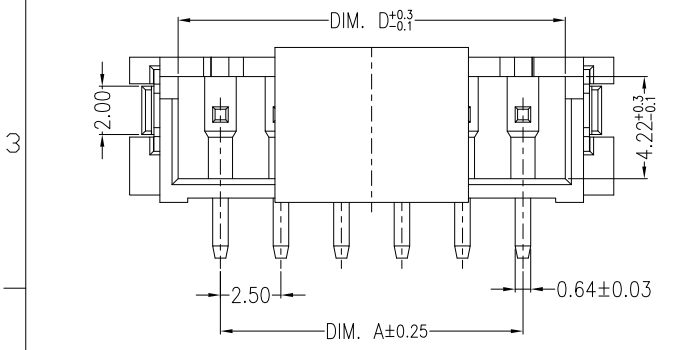


UNITS:
mm

REV	DESCRIPTION	DESIGN	DATE
A0	NEW RELEASE	Wudanping	2016/05/19
A1	Adjust flatness	Jiangjianyin	2020/06/18



Assembly Layout

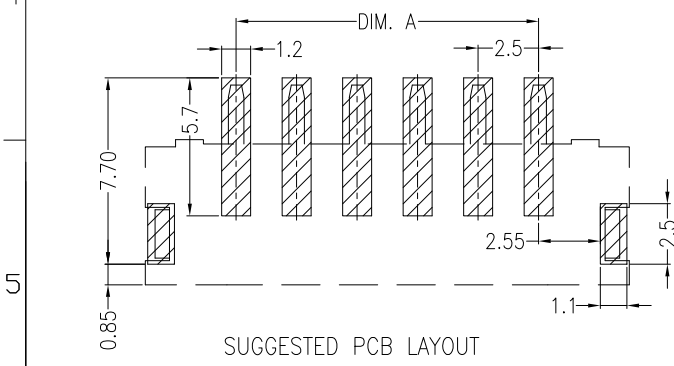
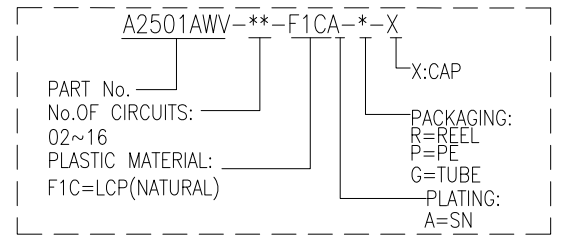


3D VIEWS

Specifications:

- Contact resistance: $\leq 20m\Omega$
- Insulation resistance: $\geq 1000M\Omega$
- Rated voltage: 250V AC DC
- Rated current: 3.0A AC DC
- Withstand voltage: 1000V AC/minute
- Temperature range: $-25^{\circ}C \sim +105^{\circ}C$
- Housing: LCP, UL94V-0, Natural
- Cap: LCP, UL94V-0, Natural
- Contacts: Brass/Sn
- Solder tabs: PhosphorBronze/Sn

ORDER INFORMATION:



SUGGESTED PCB LAYOUT

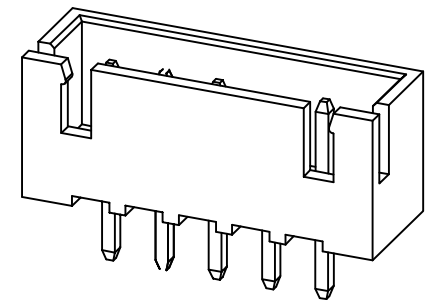
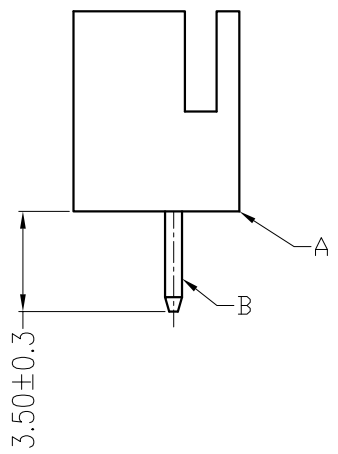
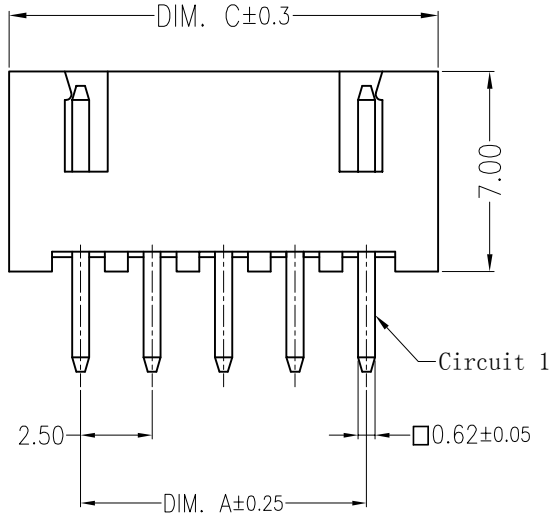
Circuit	Dimensions (mm)			
	DIM. A	DIM. B	DIM. C	DIM. D
02	2.50	7.50	10.00	6.00
03	5.00	10.00	12.50	8.50
04	7.50	12.50	15.00	11.00
05	10.00	15.00	17.50	13.50
06	12.50	17.50	20.00	16.00
07	15.00	20.00	22.50	18.50
08	17.50	22.50	25.00	21.00
09	20.00	25.00	27.50	23.50
10	22.50	27.50	30.00	26.00
11	25.00	30.00	32.50	28.50
12	27.50	32.50	35.00	31.00
13	30.00	35.00	37.50	33.50
14	32.50	37.50	40.00	36.00
15	35.00	40.00	42.50	38.50
16	37.50	42.50	45.00	41.00



GENERAL TOLERANCE		USE:
X. ± 0.50	X. $\pm 5^{\circ}$	CUSTOMER
X.X ± 0.30	X.X $\pm 2^{\circ}$	APPD: Shaojinghe
X.XX ± 0.20	X.XX $\pm 1^{\circ}$	CHKD: Zenglingqing
UNITS: mm		DR: Jiangjianyin

TITLE: 2.50mmPITCH 180°WAFER SMT TYPE	
PART NO.: A2501AWV-**-F1CA-*-X	
DWG NO.: GCKH-0543	
SCALE 1 : 1	SHEET 1 / 1

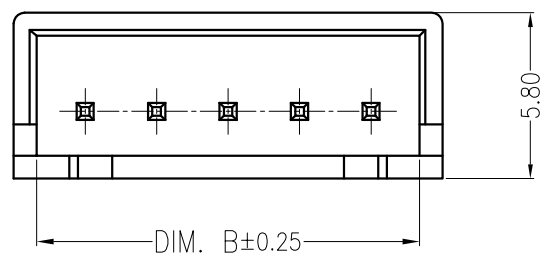
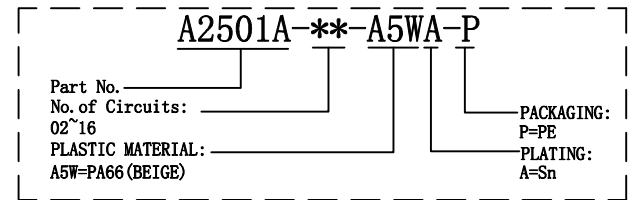
REV	ECN No.	DESCRIPTION	DESIGN	DATE
A0		Release	吴丹平	2017.03.23



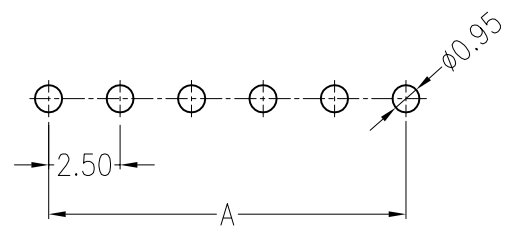
主要技术参数 Main Specifications

- 线 数 (Poles): 02 to 16
- 接触电阻 (Contact resistance): $\leq 20m\Omega$
- 绝缘电阻 (Insulation resistance): $\geq 1000M\Omega$
- 额定电压 (Rated voltage): 250V AC DC
- 额定电流 (Rated current): 3.0A AC DC
- 耐 电 压 (Withstand Voltage): 1000V AC/minute
- 温度范围 (Temperature Range): $-25^{\circ}C \sim +85^{\circ}C$

ORDER INFORMATION:



Circuits	Dimensions (mm)		
	A	B	C
02	2.50	6.00	7.50
03	5.00	8.50	10.00
04	7.50	11.00	12.50
05	10.00	13.50	15.00
06	12.50	16.00	17.50
07	15.00	18.50	20.00
08	17.50	21.00	22.50
09	20.00	23.50	25.00
10	22.50	26.00	27.50
11	25.00	28.50	30.00
12	27.50	31.00	32.50
13	30.00	33.50	35.00
14	32.50	36.00	37.50
15	35.00	38.50	40.00
16	37.50	41.00	42.50
17	40.00	43.50	45.00
18	42.50	46.00	47.50

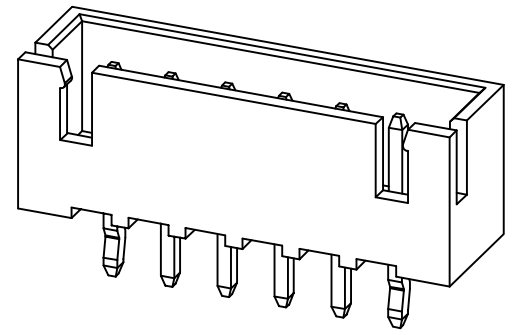
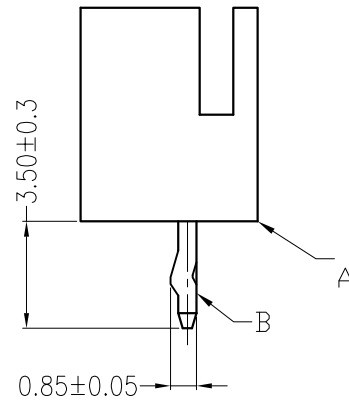
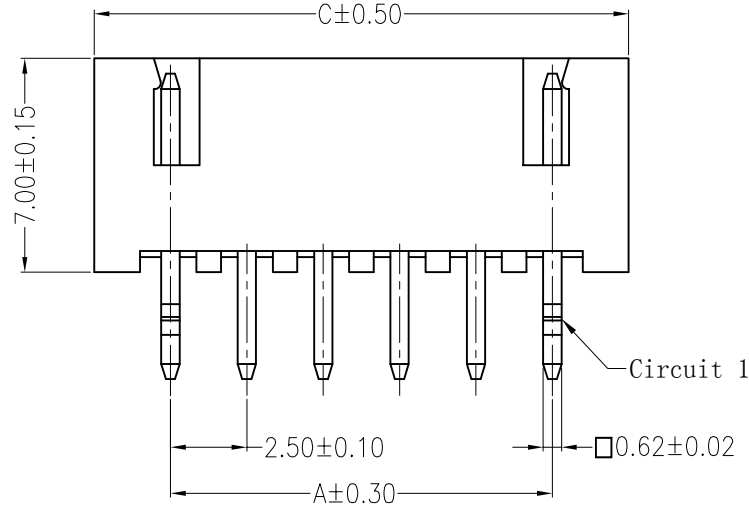


**SUGGESTED PCB LAYOUT
(COMPONENT SIDE)**

ITEM	COMPONENT	Q'TY	MATERIAL	FINISH
C				
B	CONTACT	4 PCS	Brass	Tin-plated
A	HOUSING	1 PCS	PA66	COLOR:BEIGE

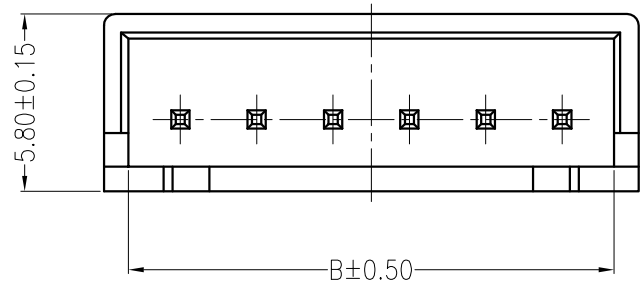
JKUN		TITLE: — 2.5mmPITCH 180°WAFER DIP TYPE	
X.±0.5	X.±5'	USE: CUSTOMER	PART NO.: A2501A-**-A5WA-P
.X±0.3	.X±2'	APPD: 邵敬和	DWG NO.: GCCP-0540
.XX±0.25	.XX±1'	CHKD: 田峰	SCALE: 1 : 1
--	--	DR: 吴丹平	SHEET: 1 / 1

REV	ECN No.	DESCRIPTION	DESIGN	DATE
A0		Release	吴丹平	2017.04.24



主要技术参数 Main Specifications

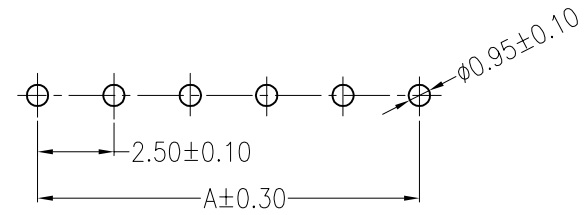
线数 (Poles): 02 to 16
 接触电阻 (Contact resistance): $\leq 20m\Omega$
 绝缘电阻 (Insulation resistance): $\geq 1000M\Omega$
 额定电压 (Rated voltage): 250V AC DC
 额定电流 (Rated current): 3.0A AC DC
 耐电压 (Withstand Voltage): 1000V AC/minute
 温度范围 (Temperature Range): $-25^{\circ}C \sim +85^{\circ}C$



A2501A--A5WA-P-Q**

Part No.		SPECIAL CODE:
No. of Circuits:	02~18	Q-With PIN kinked
PLASTIC MATERIAL:	A5W=PA66 (WHITE)	PACKAGING:
		P=PE
		PLATING:
		A=Sn

Circuits	Dimensions (mm)		
	A	B	C
02	2.50	6.00	7.50
03	5.00	8.50	10.00
04	7.50	11.00	12.50
05	10.00	13.50	15.00
06	12.50	16.00	17.50
07	15.00	18.50	20.00
08	17.50	21.00	22.50
09	20.00	23.50	25.00
10	22.50	26.00	27.50
11	25.00	28.50	30.00
12	27.50	31.00	32.50
13	30.00	33.50	35.00
14	32.50	36.00	37.50
15	35.00	38.50	40.00
16	37.50	41.00	42.50
17	40.00	43.50	45.00
18	42.50	45.00	47.50

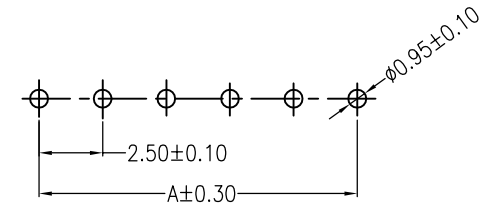
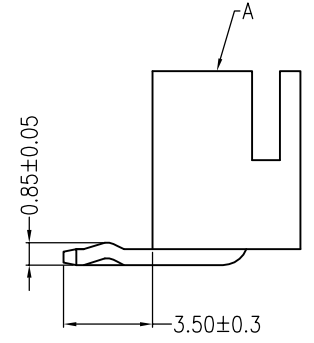
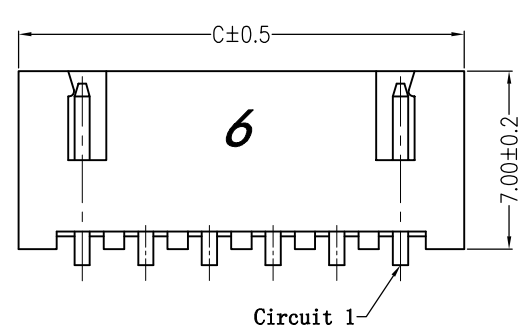


SUGGESTED PCB LAYOUT
(COMPONENT SIDE)

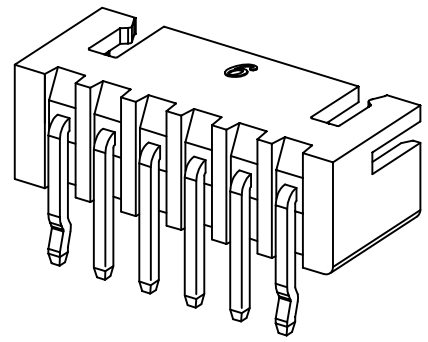
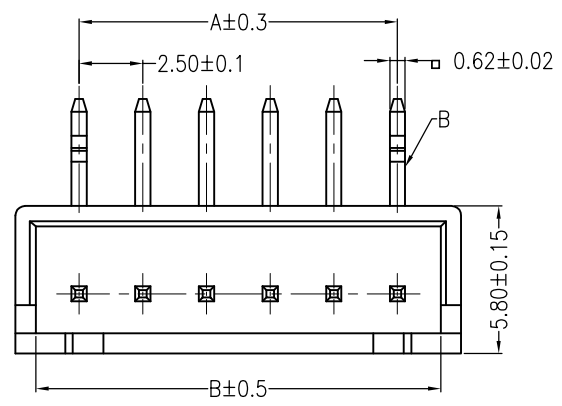
ITEM	COMPONENT	Q'TY	MATERIAL	FINISH
C				
B	CONTACT	3 PCS	Brass	Sn-plated
A	HOUSING	1 PCS	PA66	COLOR:BEIGE

广东科斯达电子科技有限公司 GUANG DONG KE SI DA ELECTRONIC TECHNOLOGY CO., LTD.		TITLE: A2501A 2.5mmPITCH 180°WAFER
X.±0.5 X.±0.3 .XX±0.25 -- UNITS: mm	X.±5' X.±2' .XX±1' --	USE: CUSTOMER APPD: 邵敬和 CHKD: 田峰 DR: 吴丹平
		PART NO.: A2501A-**-A5WA-P-Q DWG NO.: GCCP-0540 SCALE: 1:1 SHEET: 1/1

REV	ECN No.	DESCRIPTION	DESIGN	DATE
A	-	NEW RELEASE	张一荣	2013.04.12



SUGGESTED PCB LAYOUT



主要技术参数 Main Specifications

- 线 数 (Poles): 02 to 18
- 接触电阻 (Contact resistance): $\leq 20m\Omega$
- 绝缘电阻 (Insulation resistance): $\geq 1000M\Omega$
- 额定电压 (Rated voltage): 250V AC DC
- 额定电流 (Rated current): 3.0A AC DC
- 耐 电 压 (Withstand Voltage): 1000V AC/minute
- 温度范围 (Temperature Range): $-25^{\circ}C \sim +85^{\circ}C$

ORDER INFORMATION:

A2501AW--A5WA-P-Q**

PART No.	Special code:
No. OF CIRCUITS:	Q-With PIN kinked
02~18	PACKAGING:
PLASTIC MATERIAL:	P=PE
A5W=PA66 (White)	PLATING:
	A=Sn

Circuits	Dimensions (mm)			Circuits	Dimensions (mm)		
	A	B	C		A	B	C
02	2.50	6.00	7.50	11	25.00	28.50	30.00
03	5.00	8.50	10.00	12	27.50	31.00	32.50
04	7.50	11.00	12.50	13	30.00	33.50	35.00
05	10.00	13.50	15.00	14	32.50	36.00	37.50
06	12.50	16.00	17.50	15	35.00	38.50	40.00
07	15.00	18.50	20.00	16	37.50	41.00	42.50
08	17.50	21.00	22.50	17	40.00	43.50	45.00
09	20.00	23.50	25.00	18	42.50	46.00	47.50
10	22.50	26.00	27.50				

ITEM	COMPONENT	Q'TY	MATERIAL	FINISH
C				
B	CONTACT	2~18 PCS	Brass	Tin-plated
A	HOUSING	1 PCS	PA66	UL 94-V0, COLOR:White

广东科斯达电子科技有限公司
GUANG DONG KE SI DA ELECTRONIC TECHNOLOGY CO., LTD.

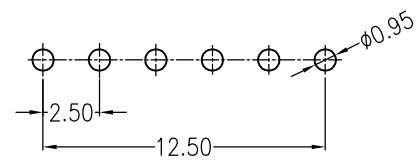
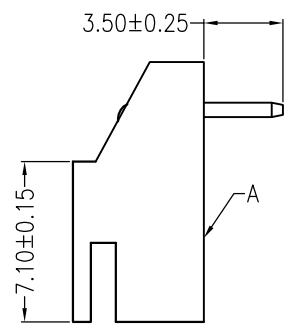
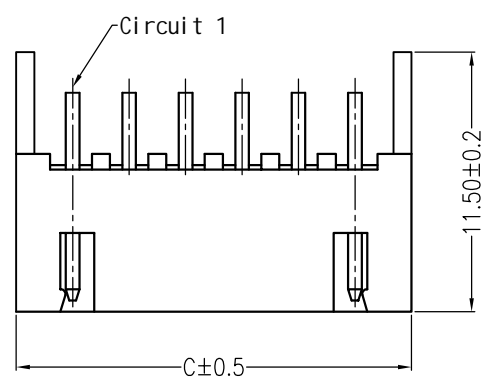
TITLE: A2501AW
 2.5mmPITCH 90°WAFER DIP TYPE

.X±0.35	X.±	USE:	CUSTOMER
.XX±0.25	.X±	APPD:	邵敬和
.XXX±0.15	.XX±	CHKD:	田峰
--	--	DR:	蒋建银

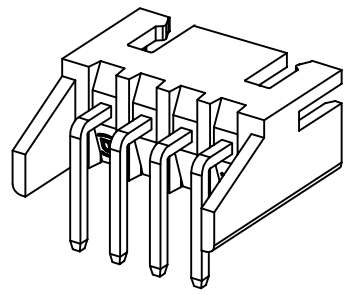
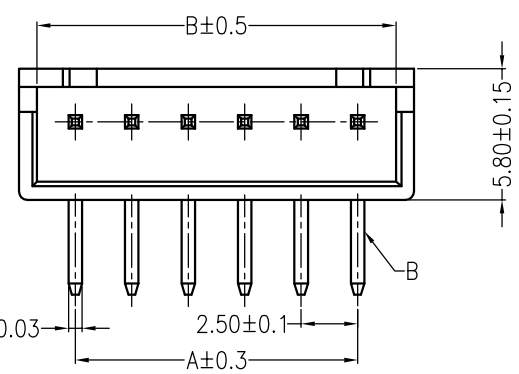
PART NO.:	
A2501AW-**-A5WA-P-Q	
DWG NO.:	
GCCP-0541	
SCALE	SHEET
1 : 1	1 / 1



REV	DESCRIPTION	DESIGN	DATE
A0	Release	吴丹平	2017.12.07



Board Layout



主要技术参数 Main Specifications

- 线 数 (Poles): 02 to 18
- 接触电阻 (Contact resistance): $\leq 20m\Omega$
- 绝缘电阻 (Insulation resistance): $\geq 1000M\Omega$
- 额定电压 (Rated voltage): 250V AC DC
- 额定电流 (Rated current): 3.0A AC DC
- 耐 电 压 (Withstand Voltage): 1000V AC/minute
- 温度范围 (Temperature Range): $-25^{\circ}C \sim +85^{\circ}C$

ORDER INFORMATION:

A2501AWD--A5WA-P**

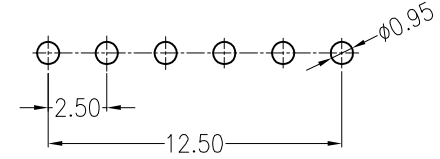
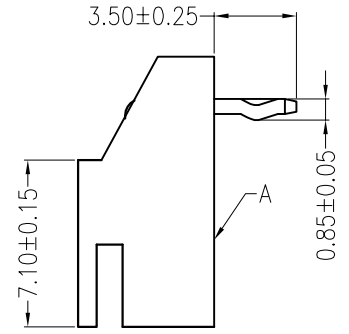
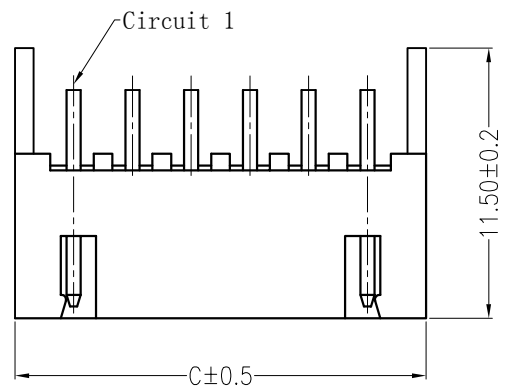
Part No.			
No. of Circuits:	02~18	PACKAGING:	P=PE
PLASTIC MATERIAL:	A5W=PA66 (WHITE)	PLATING:	A=Sn

Circuits	Dimensions (mm)			Circuits	Dimensions (mm)		
	A	B	C		A	B	C
02	2.50	6.00	7.50	11	25.00	28.50	30.00
03	5.00	8.50	10.00	12	27.50	31.00	32.50
04	7.50	11.00	12.50	13	30.00	33.50	35.00
05	10.00	13.50	15.00	14	32.50	36.00	37.50
06	12.50	16.00	17.50	15	35.00	38.50	40.00
07	15.00	18.50	20.00	16	37.50	41.00	42.50
08	17.50	21.00	22.50	17	40.00	43.50	45.00
09	20.00	23.50	25.00	18	42.50	46.00	47.50
10	22.50	26.00	27.50				

ITEM	COMPONENT	Q'TY	MATERIAL	FINISH
C				
B	CONTACT	02~18 PCS	Brass	Sn-plated
A	PEDESTAL	1 PCS	PA66	COLOR:WHITE

广东科斯达电子科技有限公司 GUANG DONG KE SI DA ELECTRONIC TECHNOLOGY CO., LTD.		TITLE: - 2.5mmPITCH 90°WAFER DIP TYPE	
X.±0.5	X.±5'	USE: CUSTOMER	PART NO.:
.X±0.3	.X±2'		A2501AWD-**-A5WA-P
.XX±0.25	.XX±1'	APPD: 邵敬和	DWG NO.:
--	--	CHKD: 田 峰	GCCP-0671
UNITS: mm	DR: 吴丹平	SCALE	SHEET
		1 : 1	1 / 1

REV	DESCRIPTION	DESIGN	DATE
A0	Release	吴丹平	2017.12.07



Board Layout

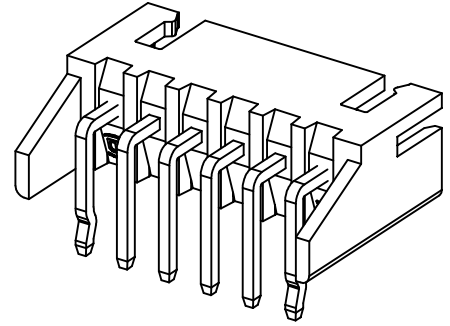
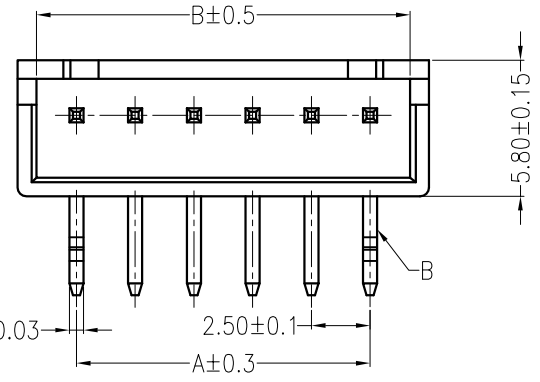
主要技术参数 Main Specifications

- 线数 (Poles): 02 to 18
- 接触电阻 (Contact resistance): $\leq 20m\Omega$
- 绝缘电阻 (Insulation resistance): $\geq 1000M\Omega$
- 额定电压 (Rated voltage): 250V AC DC
- 额定电流 (Rated current): 3.0A AC DC
- 耐电压 (Withstand Voltage): 1000V AC/minute
- 温度范围 (Temperature Range): $-25^{\circ}C \sim +85^{\circ}C$

ORDER INFORMATION:

A2501AWD--A5WA-P-Q**

Part No.		SPECIAL CODE:
No. of Circuits:	02~18	Q=With PIN kinked
PLASTIC MATERIAL:	A5W=PA66 (WHITE)	PACKAGING: P=PE
		PLATING: A=Sn



Circuits	Dimensions (mm)			Circuits	Dimensions (mm)		
	A	B	C		A	B	C
02	2.50	6.00	7.50	11	25.00	28.50	30.00
03	5.00	8.50	10.00	12	27.50	31.00	32.50
04	7.50	11.00	12.50	13	30.00	33.50	35.00
05	10.00	13.50	15.00	14	32.50	36.00	37.50
06	12.50	16.00	17.50	15	35.00	38.50	40.00
07	15.00	18.50	20.00	16	37.50	41.00	42.50
08	17.50	21.00	22.50	17	40.00	43.50	45.00
09	20.00	23.50	25.00	18	42.50	46.00	47.50
10	22.50	26.00	27.50				

ITEM	COMPONENT	Q'TY	MATERIAL	FINISH
C				
B	CONTACT	02~18 PCS	Brass	Sn-plated
A	PEDESTAL	1 PCS	PA66	COLOR:WHITE

广东科斯达电子科技有限公司
GUANG DONG KE SI DA ELECTRONIC TECHNOLOGY CO., LTD.

X.±0.5 X.±5' USE: CUSTOMER
.X±0.3 .X±2' APPD: 邵敬和
.XX±0.25 .XX±1' CHKD: 田峰
-- -- DR: 吴丹平

UNITS: mm

TITLE: -
2.5mmPITCH 90°WAFER DIP TYPE

PART NO.:
A2501AWD-**-A5WA-P-Q

DWG NO.:
GCCP-0671

SCALE: 1 : 1 SHEET: 1 / 1

A

B

C

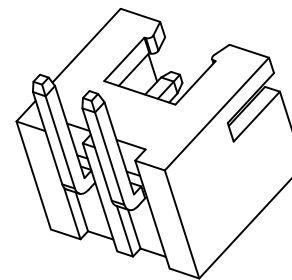
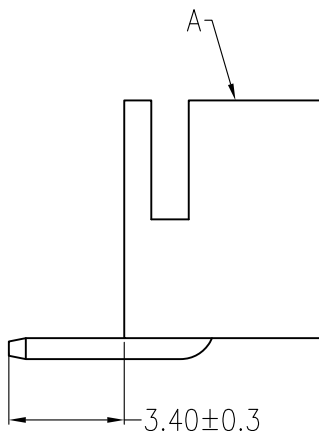
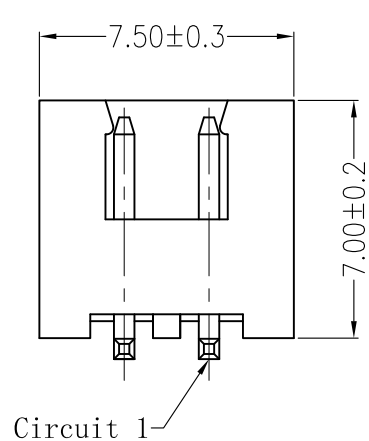
D

E

F

REV	ECN No.	DESCRIPTION	DESIGN	DATE
A	-	NEW RELEASE	吴丹平	2017.03.22

1



主要技术参数 Main Specifications

线 数 (Poles): 02 to 18
 接触电阻 (Contact resistance): $\leq 20\text{m}\Omega$
 绝缘电阻 (Insulation resistance): $\geq 1000\text{M}\Omega$
 额定电压 (Rated voltage): 250V AC DC
 额定电流 (Rated current): 3.0A AC DC
 耐 电 压 (Withstand Voltage): 1000V AC/minute
 温度范围 (Temperature Range): $-25^{\circ}\text{C} \sim +85^{\circ}\text{C}$

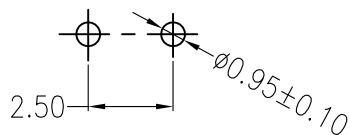
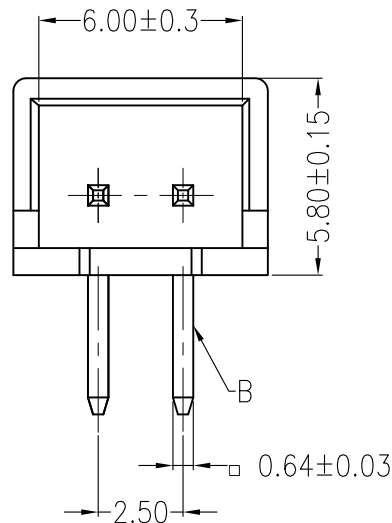
2

3

ORDER INFORMATION:

A2501AWQ-02-A5WA-P			
PART No.:			
No. OF CIRCUITS:	02		PACKAGING: P=PE
PLASTIC MATERIAL:	A5W=PA66 (White)		PLATING: A=Sn

4



SUGGESTED PCB LAYOUT

5

A

B

C

D

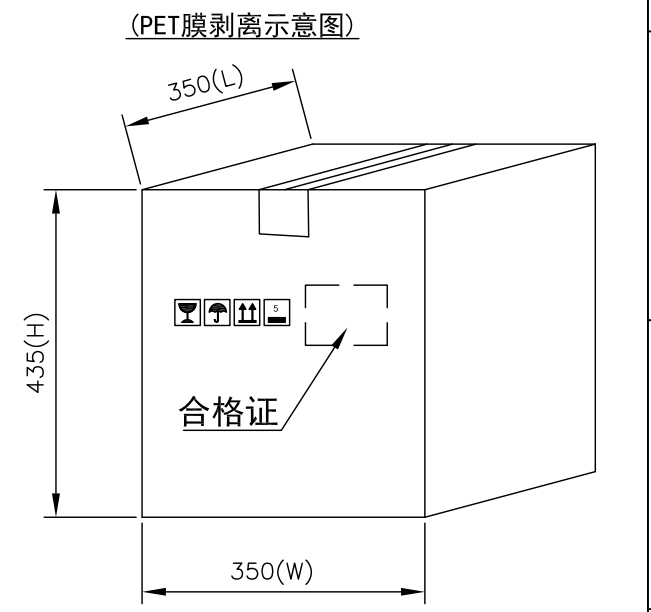
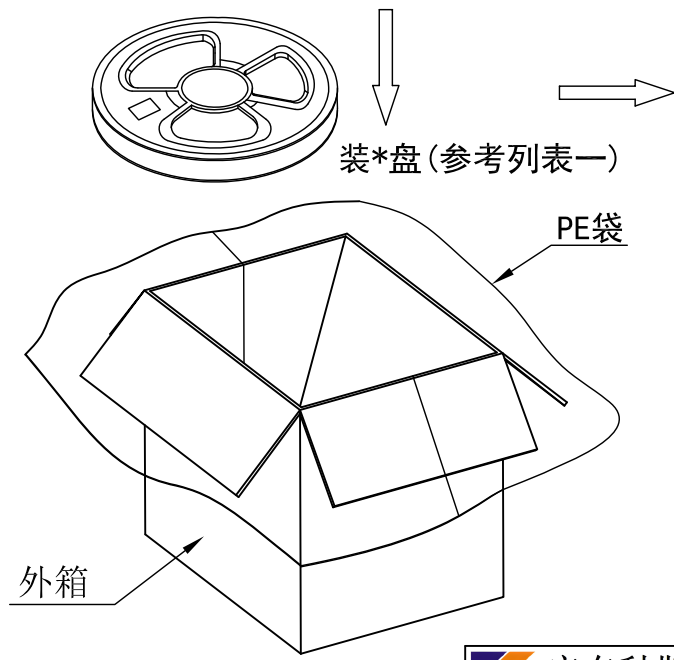
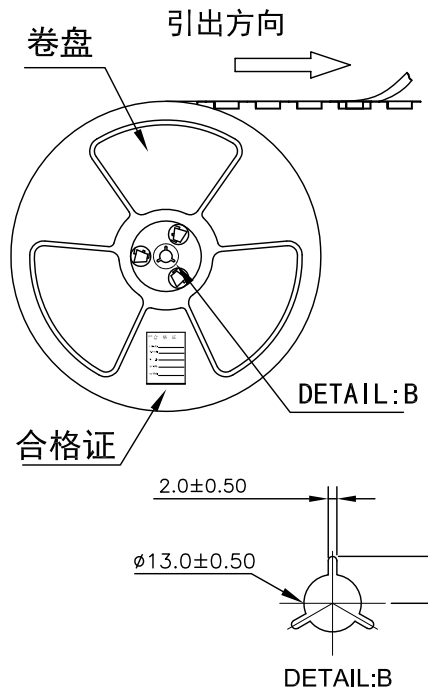
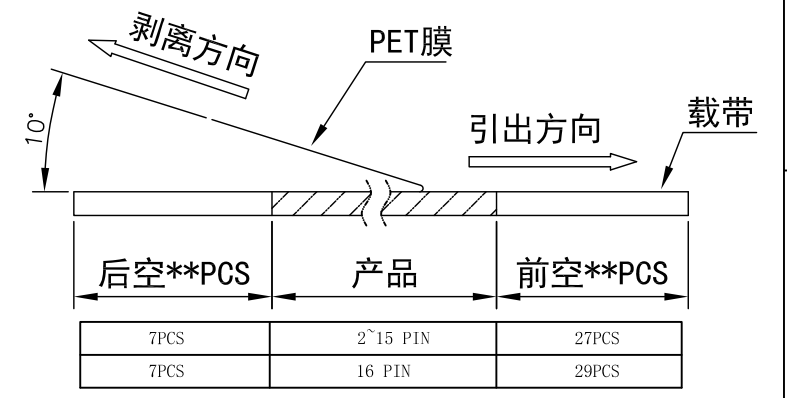
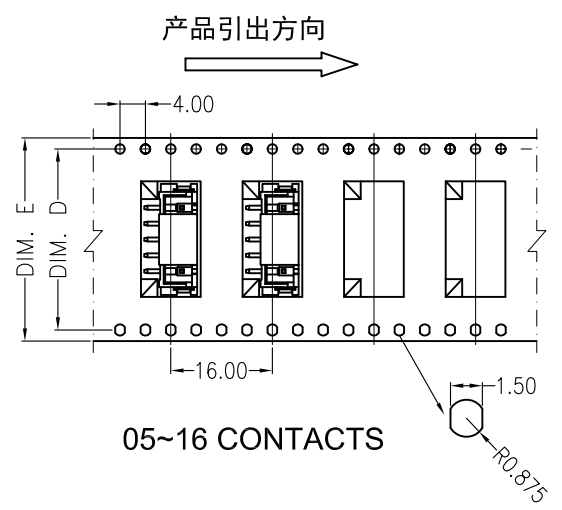
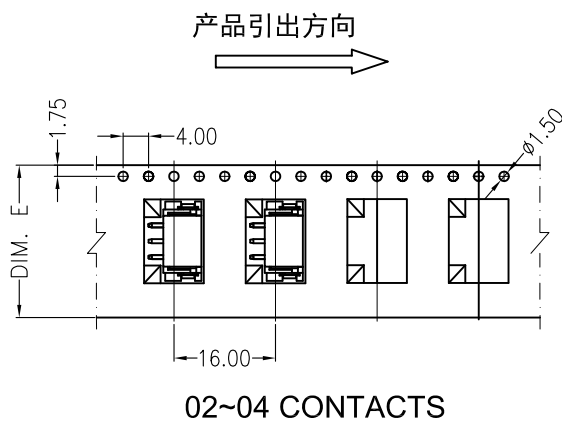
E

F

ITEM	COMPONENT	Q'TY	MATERIAL	FINISH
C				
B	CONTACT	2 PCS	Brass	Tin-plated
A	HOUSING	1 PCS	PA66	UL 94V-2, COLOR:White

广东科斯达电子科技有限公司 GUANG DONG KE SI DA ELECTRONIC TECHNOLOGY CO., LTD.		TITLE: A2501AWQ-02-02P 2.5mmPITCH 90°WAFER DIP TYPE	
.X±0.35	X.±	USE:	PART NO.:
.XX±0.25	.X±	CUSTOMER	A2501AWQ-02-A5WA-P
.XXX±0.15	.XX±	APPD: 邵敬和	DWG NO.:
--	--	CHKD: 田峰	GCCP-0541
	UNITS: mm	DR: 吴丹平	SCALE: 1 : 1
			SHEET: 1 / 1

REV	ECN No.	DESCRIPTION	DESIGN	DATE
A		Release	蒋建银	2018.06.22



列表一

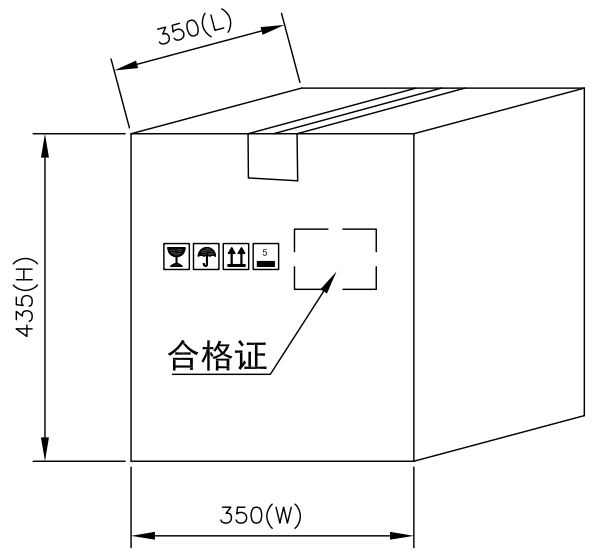
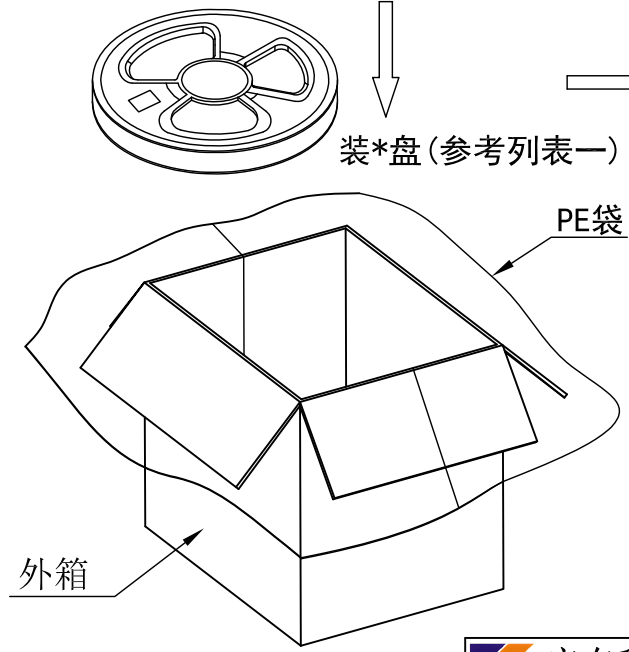
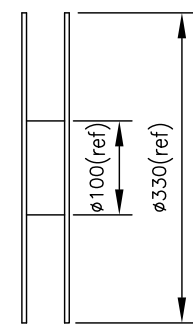
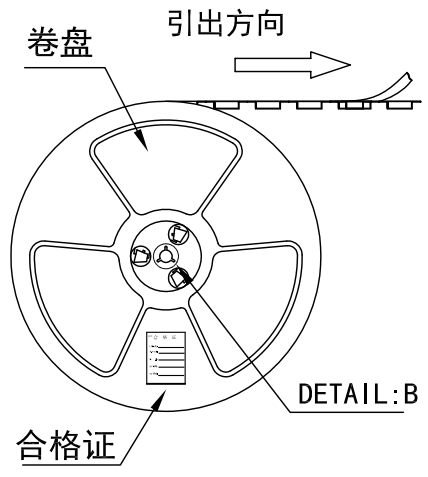
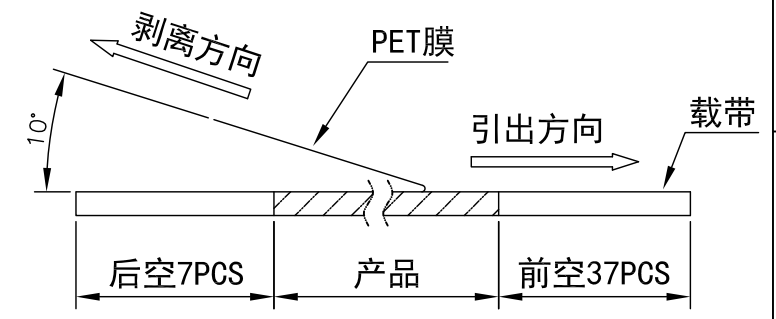
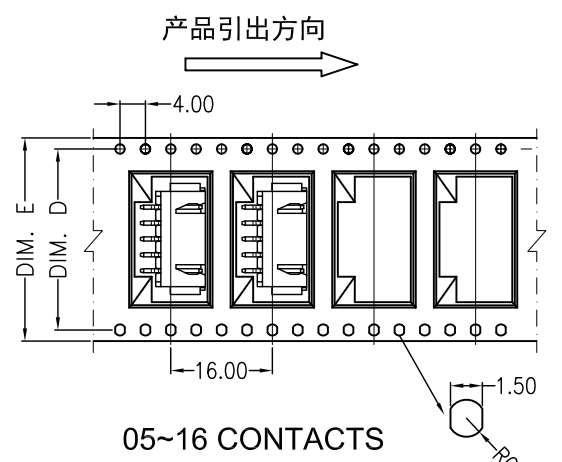
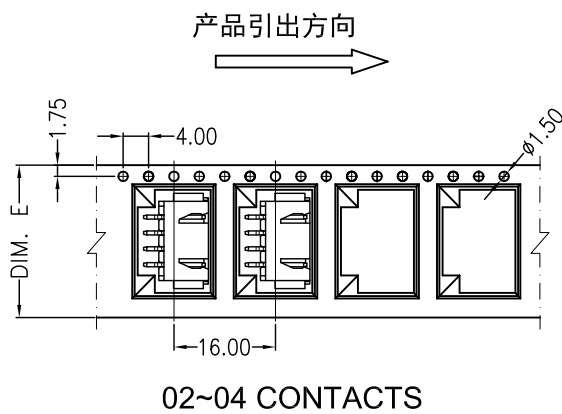
Circuits	DIM. D	DIM. E	Q'ty/Reel	Packing (Reel/Caton)
02-04PIN	-	24	500PCS	15/Reel
05-06PIN	28.4	32	500PCS	11/Reel
07-10PIN	40.4	44	500PCS	8/Reel
11-15PIN	52.4	56	500PCS	7/Reel
16PIN	68.4	72	450PCS	5/Reel

包装说明:

- 把成品包入卷盘中, 每盘装500PCS (16PIN 450PCS), 卷盘上贴上合格证, 将装好产品的卷盘放进外箱中, 外箱内先套一个大PE袋, 外箱上贴贴上合格证.
- 所有材料有害物控制需符合RoHS标准.

广东科斯塔电子科技有限公司 GUANG DONG KE SI DA ELECTRONIC TECHNOLOGY CO., LTD.		TITLE: A2501AWW 包装规范	
X.± 0.5	X.±'	USE: MANUFACTURE	PART NO.:
.X± 0.3	.X±'	APPD: 邵敬和	A2501AWW-nP
.XX±0.25	.XX±'	CHKD: 田峰	DWG NO.:
--	--	DR: 蒋建银	GCBZ-0515
UNITS: mm	SCALE 1 : 1		SHEET 1 / 1

REV	ECN No.	DESCRIPTION	DESIGN	DATE
A		Release	吴丹平	2015.11.12



列表一

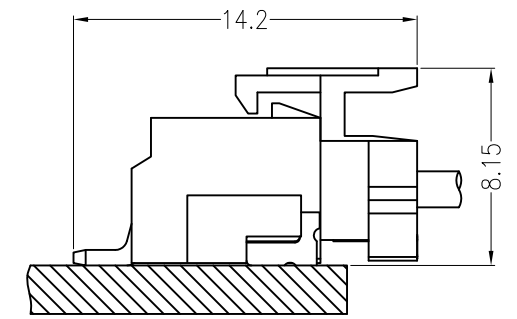
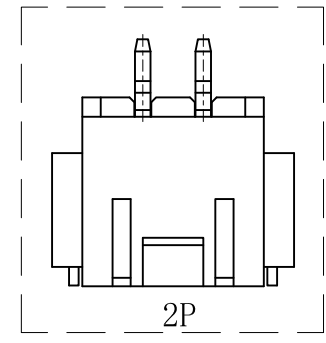
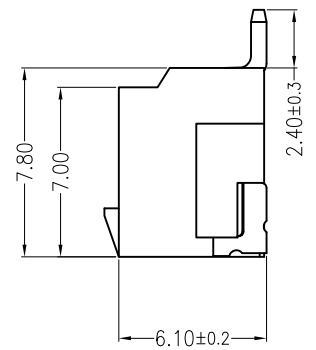
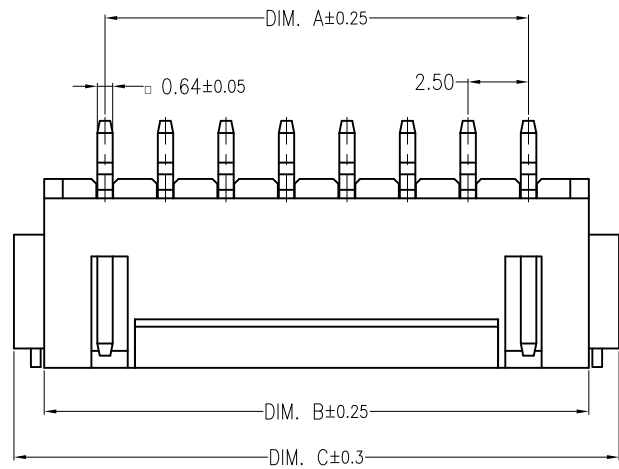
Circuits	DIM. D	DIM. E	Q'ty/Reel	Packing (Reel/Caton)
02-04PIN	-	24	700PCS	15/Reel
05-06PIN	28.4	32	700PCS	11/Reel
07-10PIN	40.4	44	700PCS	8/Reel
11-16PIN	52.4	56	700PCS	7/Reel

包装说明:

- 把成品包入卷盘中, 每盘装700PCS, 卷盘上贴上合格证, 将装好产品的卷盘放进外箱中, 外箱内先套一个大PE袋, 外箱上贴贴上合格证.
- 所有材料有害物控制需符合RoHS标准.

广东科斯塔电子科技有限公司 GUANG DONG KE SI DA ELECTRONIC TECHNOLOGY CO., LTD.		TITLE: A2501AWR 包装规范	
X.± 0.5	X.±'	USE:	PART NO.:
.X± 0.3	.X±'	MANUFACTURE	A2501AWR-nP
.XX±0.25	.XX±'	APPD: 邵敬和	DWG NO.:
--	--	CHKD: 田峰	GCBZ-0514
UNITS: mm	DR: 吴丹平	SCALE 1 : 1	SHEET 1 / 1

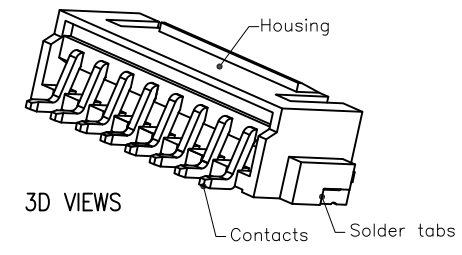
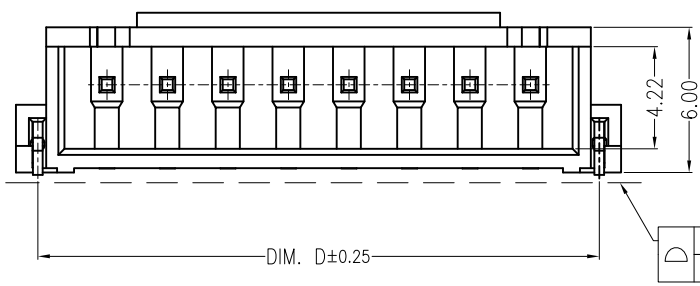
REV	DESCRIPTION	DESIGN	DATE
A0	NEW RELEASE	Wudanping	2017/03/23
A1	Adjust flatness	Jiangjianyin	2020/06/18



Assembly Layout

Specifications:

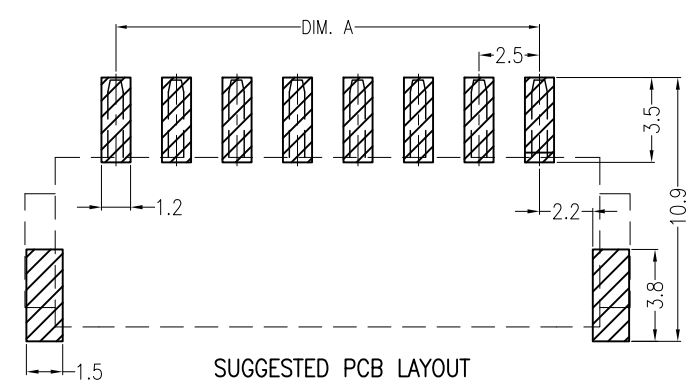
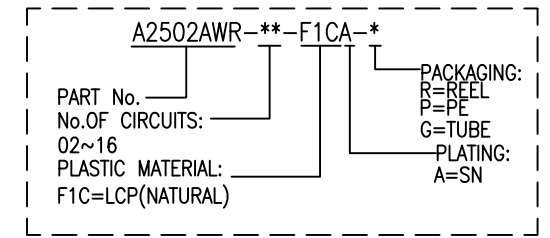
- Contact resistance: ≤20mΩ
- Insulation resistance: ≥1000MΩ
- Rated voltage: 250V AC DC
- Rated current: 3.0A AC DC
- Withstand voltage: 1000V AC/minute
- Temperature range: -25°C ~ +105°C
- Housing: LCP, UL94V-0, Natural
- Contacts: Brass/Sn
- Solder tabs: Brass/Sn



3D VIEWS

D	02P~11P	0.10	MAX
	12P~16P	0.12	MAX

ORDER INFORMATION:



SUGGESTED PCB LAYOUT

Circuit	Dimensions (mm)			
	DIM. A	DIM. B	DIM. C	DIM. D
02	2.50	7.50	10.00	8.20
03	5.00	10.00	12.50	10.70
04	7.50	12.50	15.00	13.20
05	10.00	15.00	17.50	15.70
06	12.50	17.50	20.00	18.20
07	15.00	20.00	22.50	20.70
08	17.50	22.50	25.00	23.20
09	20.00	25.00	27.50	25.70
10	22.50	27.50	30.00	28.20
11	25.00	30.00	32.50	30.70
12	27.50	32.50	35.00	33.20
13	30.00	35.00	37.50	35.70
14	32.50	37.50	40.00	38.20
15	35.00	40.00	42.50	40.70
16	37.50	42.50	45.00	43.20

广东科斯达电子科技有限公司
GUANG DONG KE SI DA ELECTRONIC TECHNOLOGY CO., LTD.

GENERAL TOLERANCE	
X. ±0.50	X. ±5°
X.X ±0.30	X.X ±2°
X.XX ±0.20	X.XX ±1°

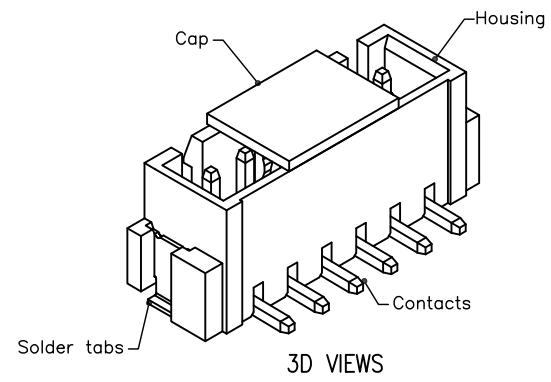
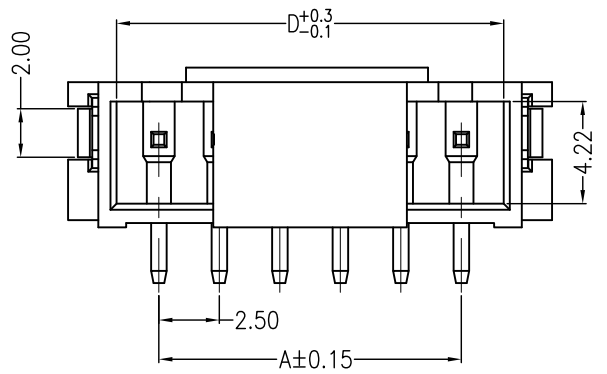
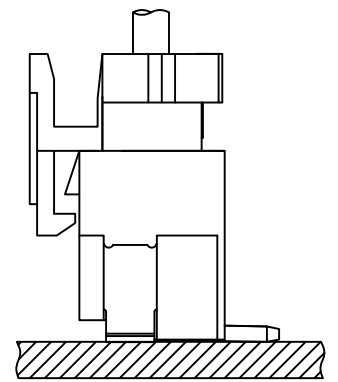
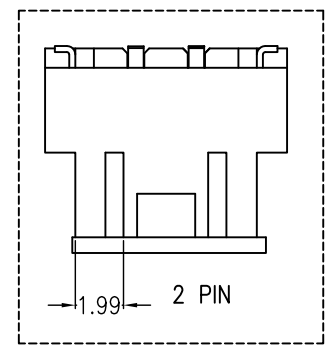
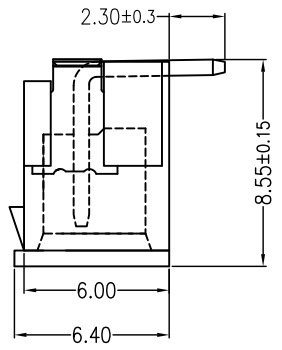
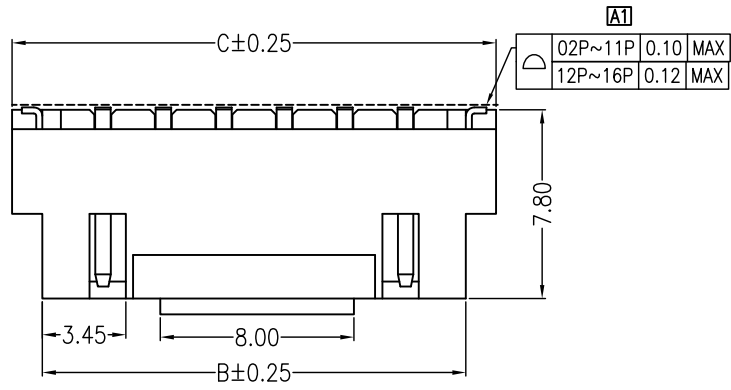
USE: CUSTOMER
 APPD: Shaojinghe
 CHKD: Zenglingqing
 DR: Jiangjianyin

TITLE: 2.50mmPITCH 90°WAFER SMT TYPE
 PART NO.: A2502AWR-**-F1CA-*
 DWG NO.: GCKH-0547
 SCALE: 1 : 1
 SHEET: 1 / 1



UNITS: mm

REV	DESCRIPTION	DESIGN	DATE
A0	NEW RELEASE	Wudanping	2016/05/18
A1	Adjust flatness	Jiangjianyin	2020/06/18
B	Frontal slot size correction	Jiangjianyin	2023/03/16

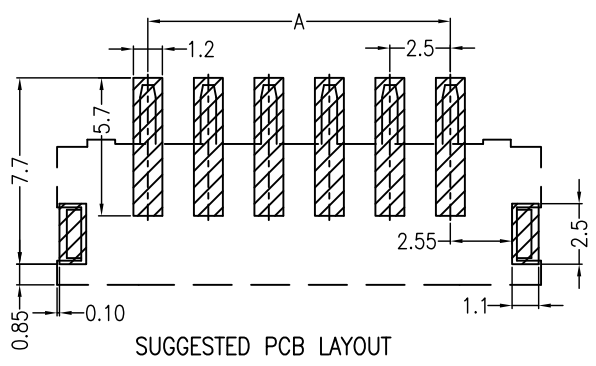
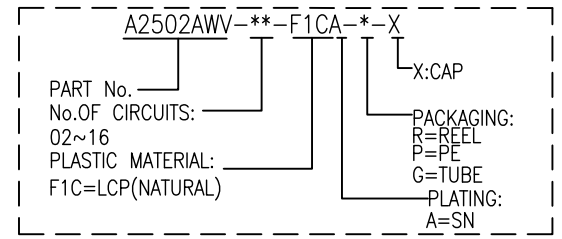


Specifications:

Contact resistance: $\leq 20m\Omega$
Insulation resistance: $\geq 1000M\Omega$
Rated voltage: 250V AC DC
Rated current: 3.0A AC DC
Withstand voltage: 1000V AC/minute
Temperature range: $-25^{\circ}C \sim +105^{\circ}C$
Housing: LCP, UL94V-0, Natural
Cap: LCP, UL94V-0, Natural
Contacts: Brass/Sn
Solder tabs: PhosphorBronze/Sn

Assembly Layout

ORDER INFORMATION:



Circuit	Dimensions (mm)			
	DIM. A	DIM. B	DIM. C	DIM. D
02	2.50	7.50	10.00	6.00
03	5.00	10.00	12.50	8.50
04	7.50	12.50	15.00	11.00
05	10.00	15.00	17.50	13.50
06	12.50	17.50	20.00	16.00
07	15.00	20.00	22.50	18.50
08	17.50	22.50	25.00	21.00
09	20.00	25.00	27.50	23.50
10	22.50	27.50	30.00	26.00
11	25.00	30.00	32.50	28.50
12	27.50	32.50	35.00	31.00
13	30.00	35.00	37.50	33.50
14	32.50	37.50	40.00	36.00
15	35.00	40.00	42.50	38.50
16	37.50	42.50	45.00	41.00

广东科斯达电子科技有限公司
GUANG DONG KE SI DA ELECTRONIC TECHNOLOGY CO., LTD.

TITLE:
2.50mmPITCH 180°WAFER SMT TYPE

GENERAL TOLERANCE	
X. ± 0.50	X. $\pm 5^{\circ}$
X.X ± 0.30	X.X $\pm 2^{\circ}$
X.XX ± 0.20	X.XX $\pm 1^{\circ}$

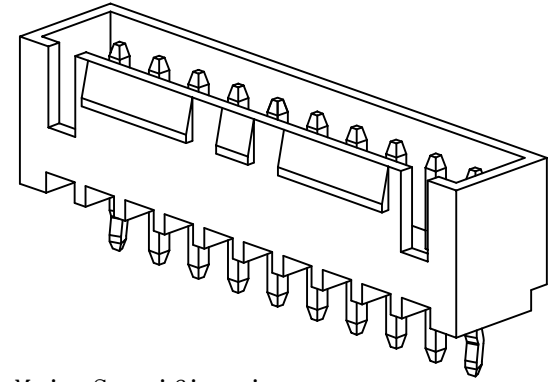
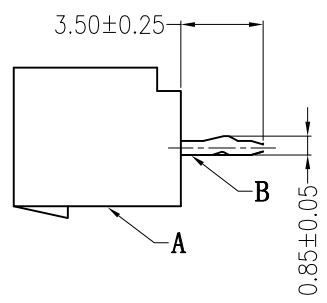
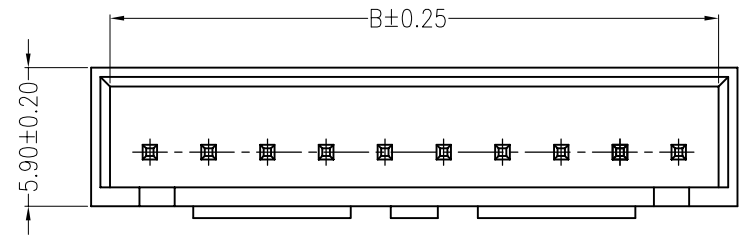
USE: CUSTOMER
APPD: Shaojinghe
CHKD: Zenglingqing
DR: Jiangjianyin

PART NO.:	
A2502AWV-**-F1CA-*-X	
DWG NO.:	
GCKH-0548	
SCALE	SHEET
1 : 1	1 / 1



UNITS: mm

REV	ECN No.	DESCRIPTION	DESIGN	DATE
A0		Release	蒋建银	2017.08.10



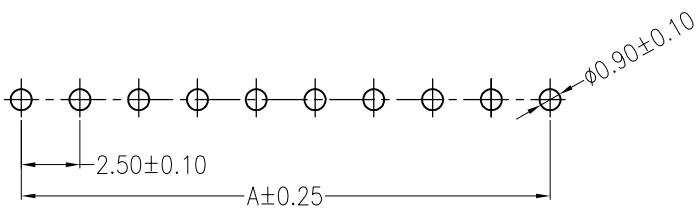
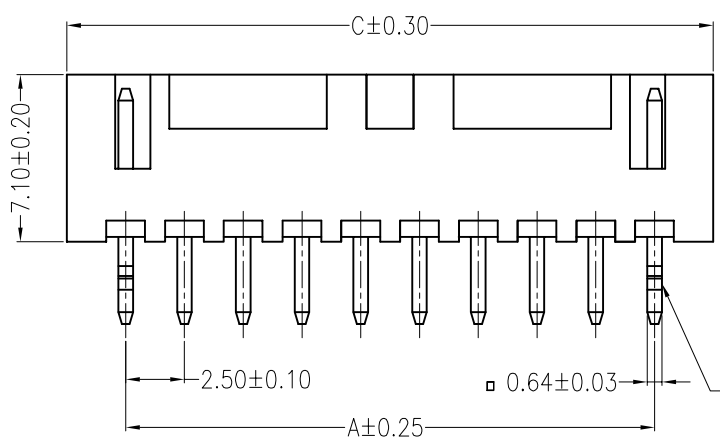
主要技术参数 Main Specifications

线 数 (Poles): 02 to 16
 接触电阻 (Contact resistance): $\leq 20\text{m}\Omega$
 绝缘电阻 (Insulation resistance): $\geq 1000\text{M}\Omega$
 额定电压 (Rated voltage): 250V AC DC
 额定电流 (Rated current): 3.0A AC DC
 耐 电 压 (Withstand Voltage): 1000V AC/minute
 温度范围 (Temperature Range): $-25^{\circ}\text{C} \sim +85^{\circ}\text{C}$

ORDER INFORMATION:

A2502A--A5WA-P-Q**

Part No. _____	SPECIAL CODE:
No. of Circuits: _____	Q=With PIN kinked
02~16	PACKAGING:
PLASTIC MATERIAL: _____	P=PE
A5W=PA66 (WHITE)	PLATING:
	A=Sn



**SUGGESTED PCB LAYOUT
(COMPONENT SIDE)**

Circuits	Dimensions (mm)		
	A	B	C
02	2.50	6.00	7.50
03	5.00	8.50	10.00
04	7.50	11.00	12.50
05	10.00	13.50	15.00
06	12.50	16.00	17.50
07	15.00	18.50	20.00
08	17.50	21.00	22.50
09	20.00	23.50	25.00
10	22.50	26.00	27.50
11	25.00	28.50	30.00
12	27.50	31.00	32.50

ITEM	COMPONENT	Q'TY	MATERIAL	FINISH
C				
B	CONTACT	2~16 PCS	Brass	Sn-plated
A	PEDESTAL	1 PCS	PA66	UL 94V-0, COLOR:WHITE

广东科斯达电子科技有限公司
GUANG DONG KE SI DA ELECTRONIC TECHNOLOGY CO., LTD.

TITLE: -
 2.5mmPITCH 180°WAFER DIP TYPE

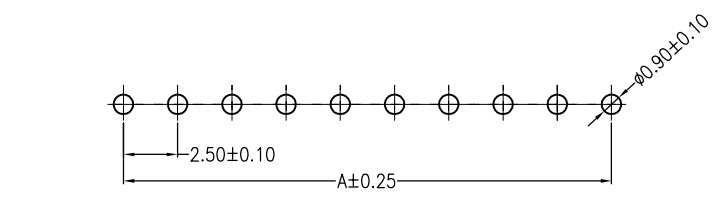
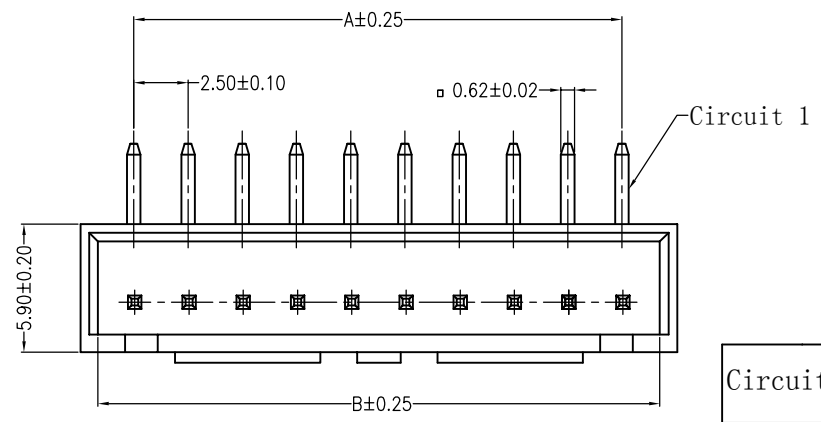
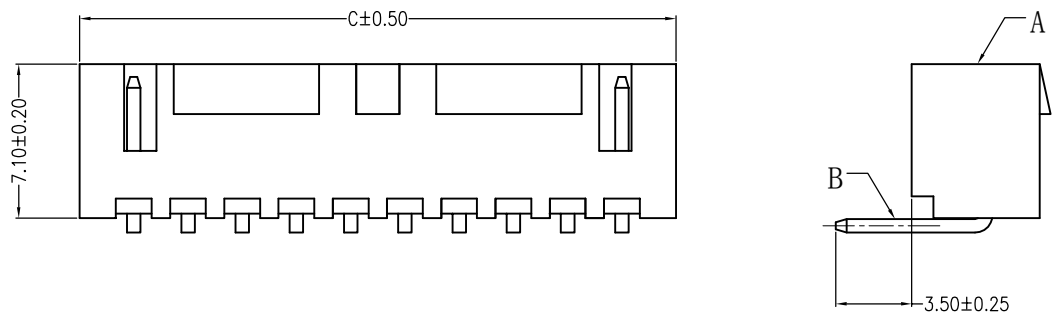
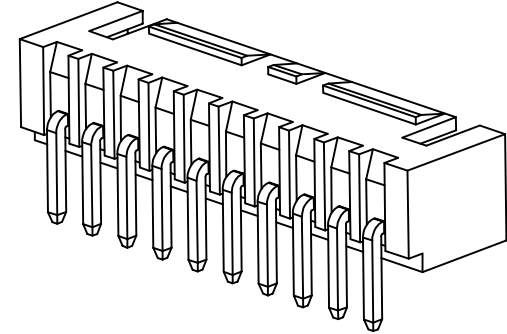
X.±0.5	X.±5'	USE:	CUSTOMER
.X±0.3	.X±2'	APPD:	邵敬和
.XX±0.25	.XX±1'	CHKD:	田峰
--	--	DR:	蒋建银

PART NO.:		A2502A-**-A5WA-P-Q	
DWG NO.:		GCCP-0545	
SCALE	SHEET		
1 : 1	1 / 1		



UNITS:
mm

REV	ECN No.	DESCRIPTION	DESIGN	DATE
A0		Release	蒋建银	2018.01.15

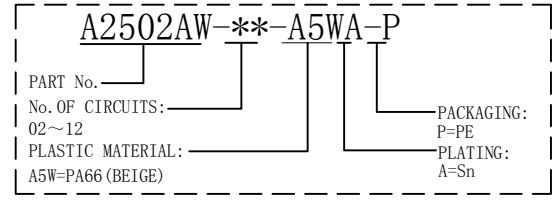


SUGGESTED PCB LAYOUT

主要技术参数 Main Specifications

- 线 数 (Poles): 02 to 18
- 接触电阻 (Contact resistance): $\leq 20m\Omega$
- 绝缘电阻 (Insulation resistance): $\geq 1000M\Omega$
- 额定电压 (Rated voltage): 250V AC DC
- 额定电流 (Rated current): 3.0A AC DC
- 耐 电压 (Withstand Voltage): 1000V AC/minute
- 温度范围 (Temperature Range): $-25^{\circ}C \sim +85^{\circ}C$

ORDER INFORMATION:



Circuits	Dimensions (mm)		
	A	B	C
02	2.50	6.00	7.50
03	5.00	8.50	10.00
04	7.50	11.00	12.50
05	10.00	13.50	15.00
06	12.50	16.00	17.50
07	15.00	18.50	20.00
08	17.50	21.00	22.50
09	20.00	23.50	25.00
10	22.50	26.00	27.50
11	25.00	28.50	30.00
12	27.50	31.00	32.50

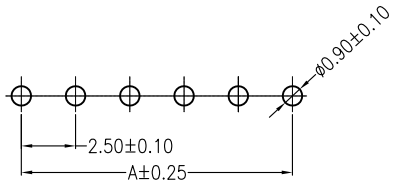
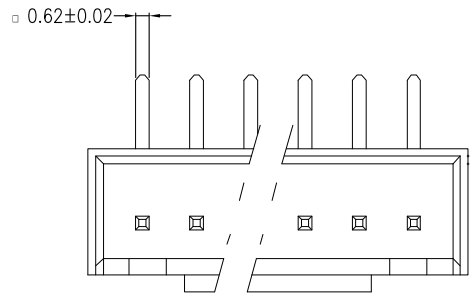
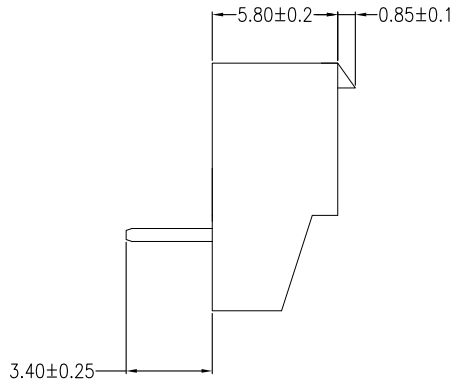
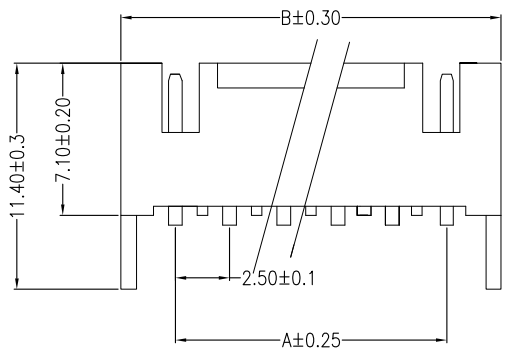
ITEM	COMPONENT	Q'TY	MATERIAL	FINISH
c				
B	CONTACT	02~18 PCS	Brass	Sn-plated
A	PEDESTAL	1 PCS	PA66	UL 94V-0, COLOR:WHITE



TITLE: A2502AW 2.5mmPITCH 90°WAFER DIP TYPE	
PART NO.: A2502AW-**-A5WA-P	
DWG NO.: GCCP-0546	
SCALE 1 : 1	SHEET 1 / 1

X.±0.5	X.±5'	USE: CUSTOMER
.X±0.3	.X±2'	APPD: 邵敬和
.XX±0.25	.XX±1'	CHKD: 田峰
--	--	DR: 蒋建银
UNITS: mm		

REV	ECN No.	DESCRIPTION	DESIGN	DATE
A0		Release	蒋建银	2018.01.15



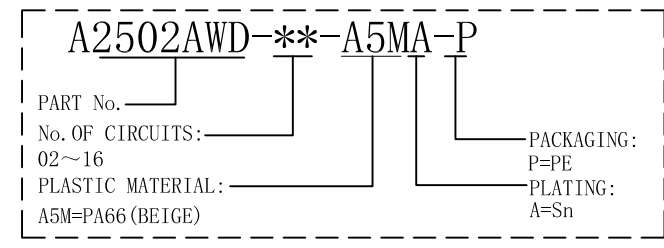
SUGGESTED PCB LAYOUT

主要技术参数 Main Specifications

- 线数 (Poles): 02 to 16
- 接触电阻 (Contact resistance): $\leq 20m\Omega$
- 绝缘电阻 (Insulation resistance): $\geq 1000M\Omega$
- 额定电压 (Rated voltage): 250V AC DC
- 额定电流 (Rated current): 3.0A AC DC
- 耐电压 (Withstand Voltage): 1000V AC/minute
- 温度范围 (Temperature Range): $-25^{\circ}C \sim +85^{\circ}C$

Circuits	Dimensions (mm)	
	A	B
02	2.50	7.50
03	5.00	10.00
04	7.50	12.50
05	10.00	15.00
06	12.50	17.50
07	15.00	20.00
08	17.50	22.50
09	20.00	25.00
10	22.50	27.50
11	25.00	30.00
12	27.50	32.50
13	30.00	35.00
14	32.50	37.50
15	35.00	40.00
16	37.50	42.50

ORDER INFORMATION:

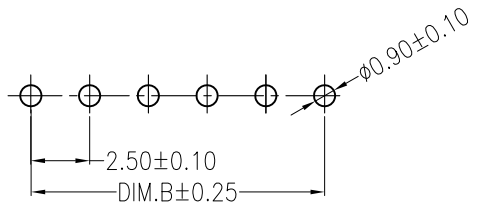
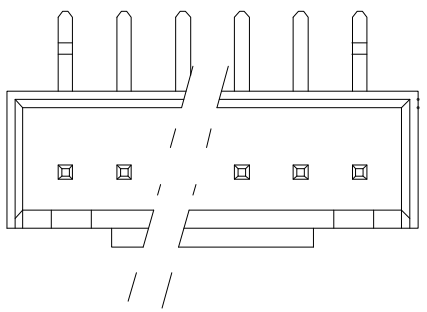
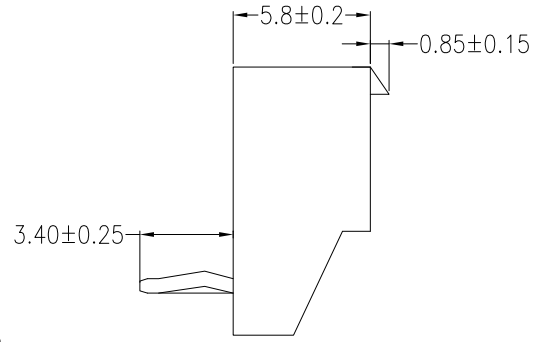
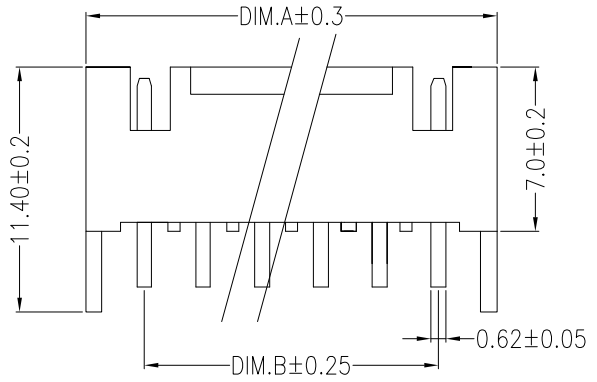


ITEM	COMPONENT	Q'TY	MATERIAL	FINISH
c				
B	CONTACT	02~16 PCS	Brass	Sn-plated
A	PEDESTAL	1 PCS	PA66	UL 94V-0, COLOR:BEIGE

广东科斯达电子科技有限公司 GUANG DONG KE SI DA ELECTRONIC TECHNOLOGY CO., LTD.	USE:	CUSTOMER	PART NO.:
	APPD:	王锋	
	CHKD:	曾令青	DWG NO.:
	DR:	蒋建银	GCCP-0895
UNITS:	mm	SCALE	1 : 1
		SHEET	1 / 1

TITLE: A2502AWD-**-02P
2.5mmPITCH 90°WAFER DIP TYPE

REV	ECN No.	DESCRIPTION	DESIGN	DATE
A0		Release	蒋建银	2017.08.10

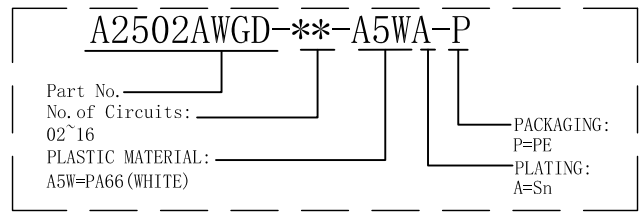


SUGGESTED PCB LAYOUT
(COMPONENT SIDE)

主要技术参数 Main Specifications

线 数 (Poles): 02 to 16
 接触电阻 (Contact resistance): $\leq 20m\Omega$
 绝缘电阻 (Insulation resistance): $\geq 1000M\Omega$
 额定电压 (Rated voltage): 250V AC DC
 额定电流 (Rated current): 3.0A AC DC
 耐 电 压 (Withstand Voltage): 1000V AC/minute
 温度范围 (Temperature Range): $-25^{\circ}C \sim +85^{\circ}C$

ORDER INFORMATION:



孔位	A	B
2	7.5	2.5
3	10	5.0
4	12.5	7.5
5	15.0	10.0
6	17.5	12.5
7	20.0	15.0
8	22.5	17.5
9	25.0	20.0
10	27.5	22.5
11	30.0	25.0
12	32.5	27.5
13	35.0	30.0
14	37.5	32.5
15	40.0	35.0
16	42.5	37.5

ITEM	COMPONENT	Q'TY	MATERIAL	FINISH
C				
B	CONTACT	2~16 PCS	Brass	Sn-plated
A	PEDESTAL	1 PCS	PA66	UL 94V-0, COLOR:WHITE

广东科斯达电子科技有限公司
 GUANG DONG KE SI DA ELECTRONIC TECHNOLOGY CO., LTD.

TITLE: -
 2.5mmPITCH 90°WAFER DIP TYPE
 PART NO.:
 A2502AWGD-**-A5WA-P
 DWG NO.:
 GCCP-0833
 SCALE: 1 : 1
 SHEET: 1 / 1

X.±0.5	X.±5'	USE: CUSTOMER
.X±0.3	.X±2'	
.XX±0.25	.XX±1'	APPD: 刘振岭
--	--	CHKD: 王亮
	UNITS: mm	DR: 蒋建银

A

B

C

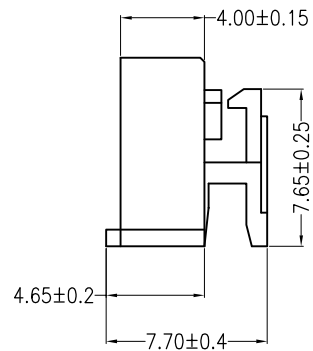
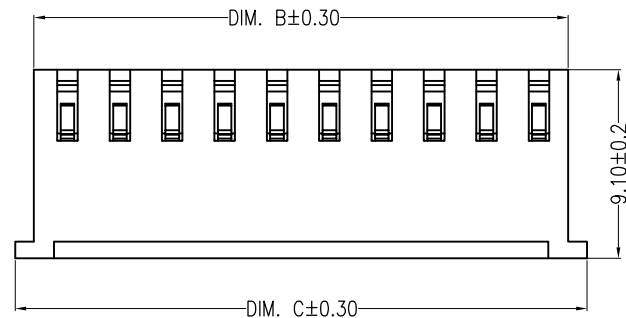
D

E

F

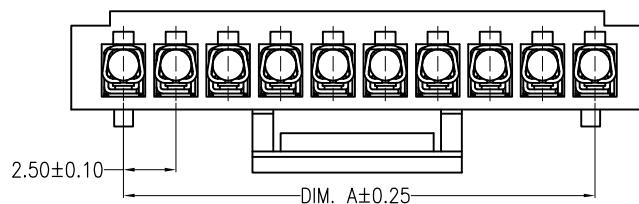
REV	DESCRIPTION	DESIGN	DATE
A0	Release	吴丹平	2013.03.05

1



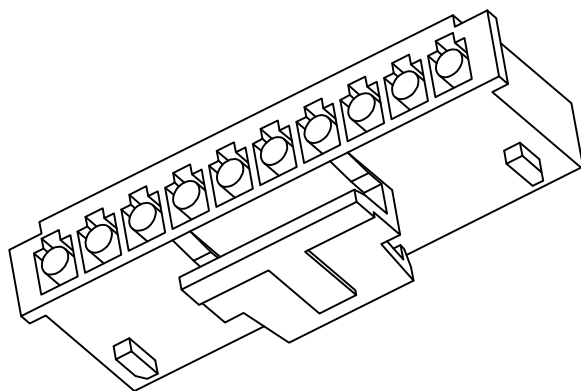
2

3



4

5



A

B

C

D

E

F

主要技术参数 Main Specifications

线 数 (Poles): 02 to 16

接触电阻 (Contact resistance): $\leq 20m\Omega$

绝缘电阻 (Insulation resistance): $\geq 1000M\Omega$

额定电压 (Rated voltage): 250V AC DC

额定电流 (Rated current): 3.0A AC DC

耐 电 压 (Withstand Voltage): 1000V AC/minute

温度范围 (Temperature Range): $-25^{\circ}C \sim +85^{\circ}C$

ORDER INFORMATION:

A2502Y--A5W-P**

PART No.

No. OF CIRCUITS:
02~16

PACKAGING:

P=PE

PLASTIC MATERIAL:

A5W=PA66 (WHITE)

Circuits	Dimensions (mm)		
	DIM. A	DIM. B	DIM. C
02	2.50	5.75	7.25
03	5.00	8.25	9.75
04	7.50	10.75	12.25
05	10.00	13.25	14.75
06	12.50	15.75	17.25
07	15.00	18.25	19.75
08	17.50	20.75	22.25
09	20.00	23.25	24.75
10	22.50	25.75	27.25
11	25.00	28.25	29.75
12	27.50	30.75	32.25

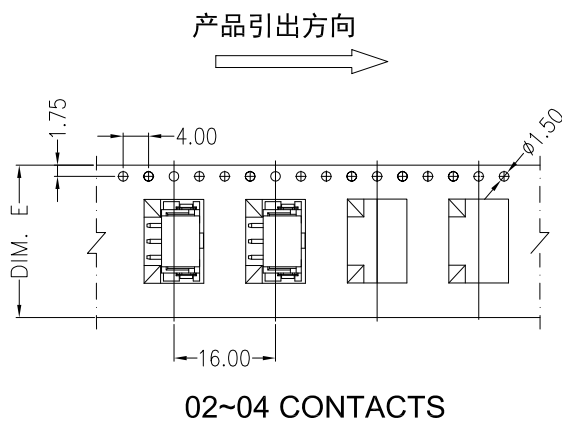
ITEM	COMPONENT	Q'TY	MATERIAL	FINISH
C				
B				
A	PEDESTAL	1 PCS	PA66	UL 94-V0 COLOR:WHITE



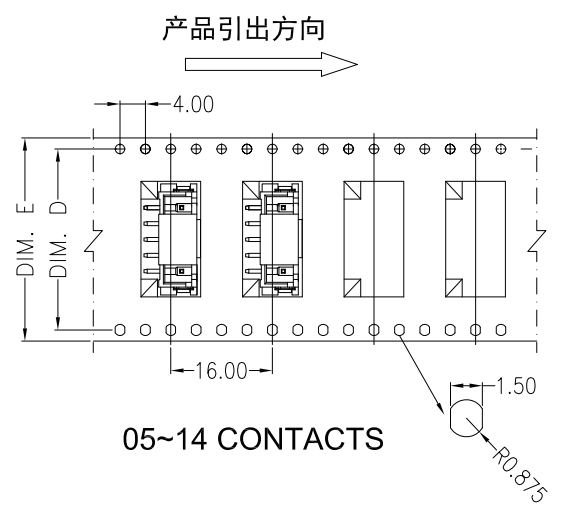
X.±0.5	X.±5'	USE: CUSTOMER	PART NO.: A2502Y-**-A5W-P
.X±0.3	.X±2'		
.XX±0.25	.XX±1'	CHKD: 田峰	DWG NO.: GCCP-0549
--	--	DR: 吴丹平	SCALE 1 : 1
UNITS: mm		SHEET 1 / 1	

TITLE: --	
PART NO.: A2502Y-**-A5W-P	
DWG NO.: GCCP-0549	
SCALE 1 : 1	SHEET 1 / 1

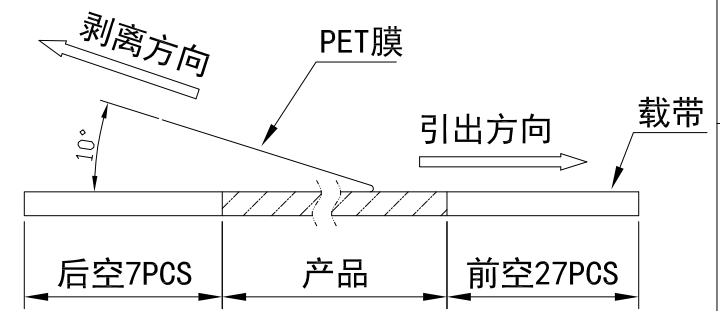
REV	ECN No.	DESCRIPTION	DESIGN	DATE
A		Release	蒋建银	2018.06.22



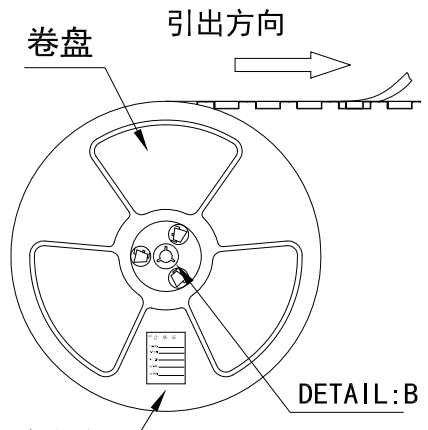
02~04 CONTACTS



05~14 CONTACTS

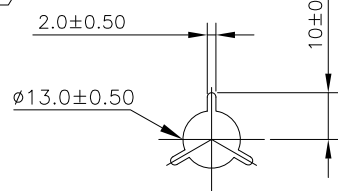


(PET膜剥离示意图)

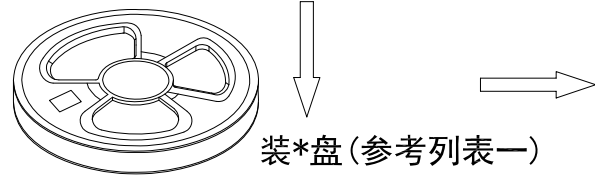


合格证

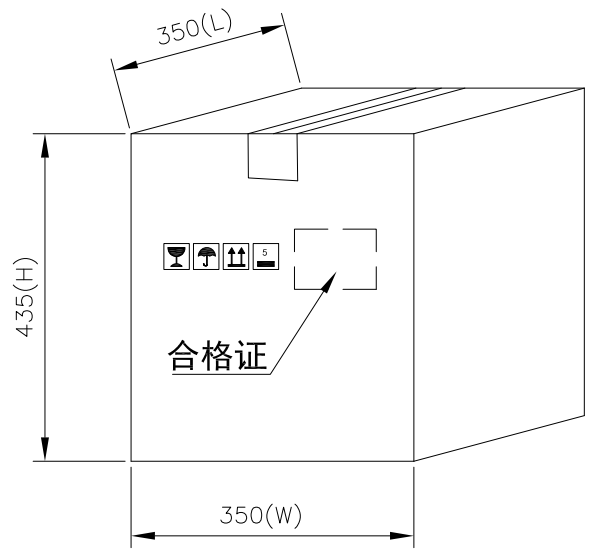
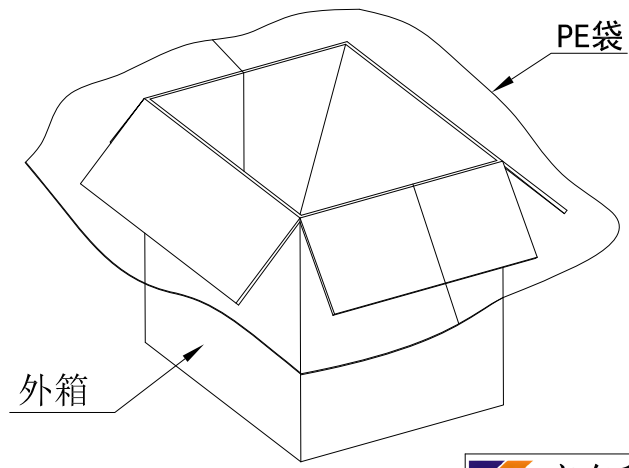
DETAIL:B



DETAIL:B



装*盘 (参考列表一)



列表一

Circuits	DIM. D	DIM. E	Q'ty/Reel	Packing (Reel/Caton)
02-04PIN	-	24	500PCS	15/Reel
05-06PIN	28.4	32	500PCS	11/Reel
07-10PIN	40.4	44	500PCS	8/Reel
11-14PIN	52.4	56	500PCS	7/Reel

包装说明:

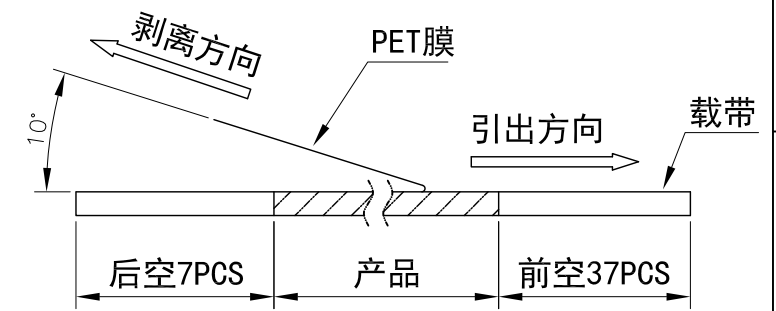
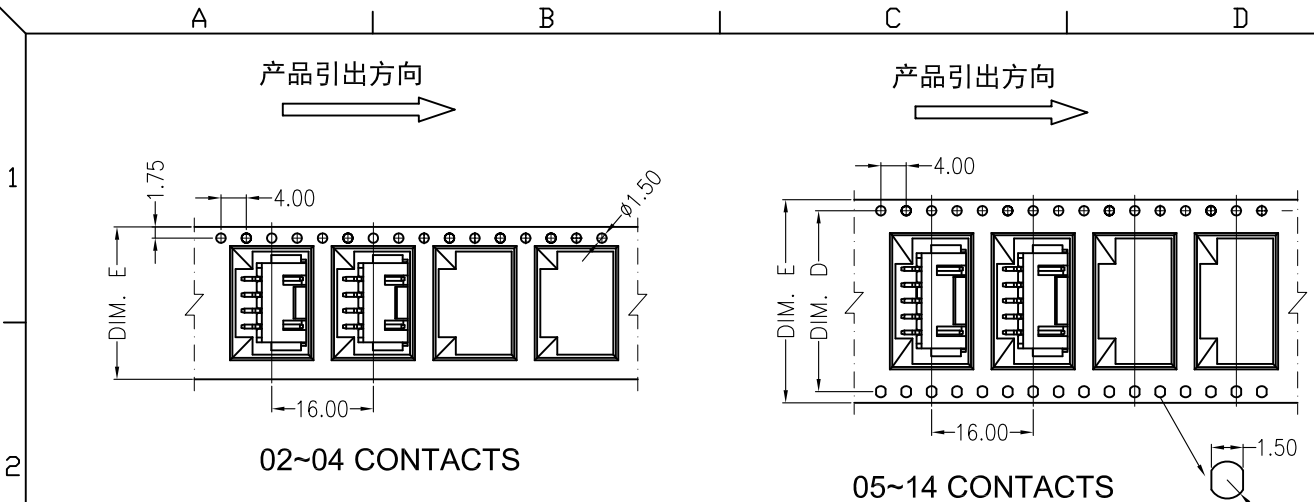
- 把成品包入卷盘中, 每盘装500PCS, 卷盘上贴上合格证, 将装好产品的卷盘放进外箱中, 外箱内先套一个大PE袋, 外箱上贴贴上合格证。
- 所有材料有害物控制需符合RoHS标准。

广东科斯塔电子科技有限公司
GUANG DONG KE SI DA ELECTRONIC TECHNOLOGY CO., LTD.

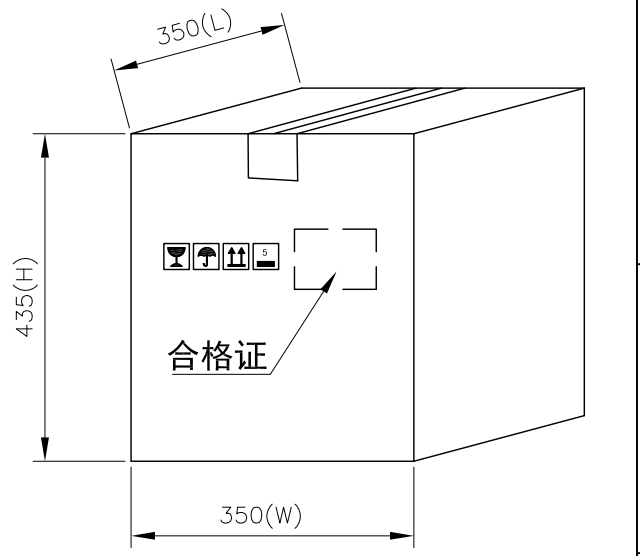
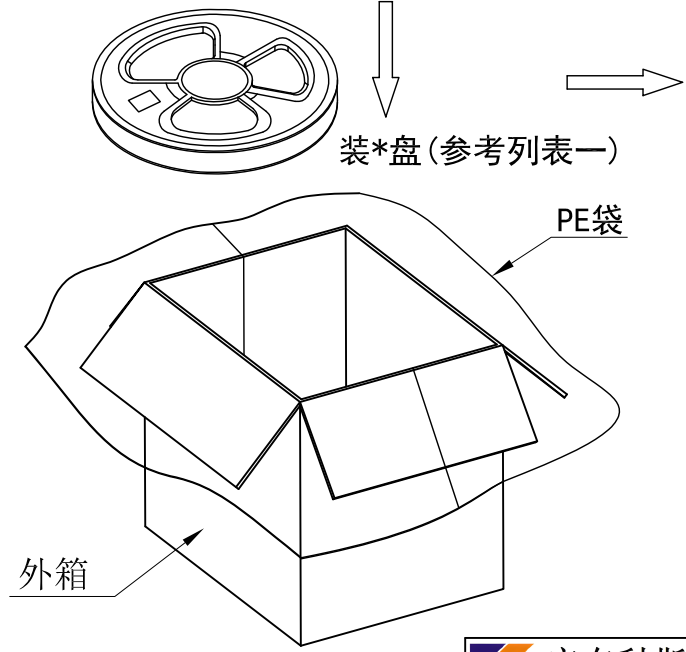
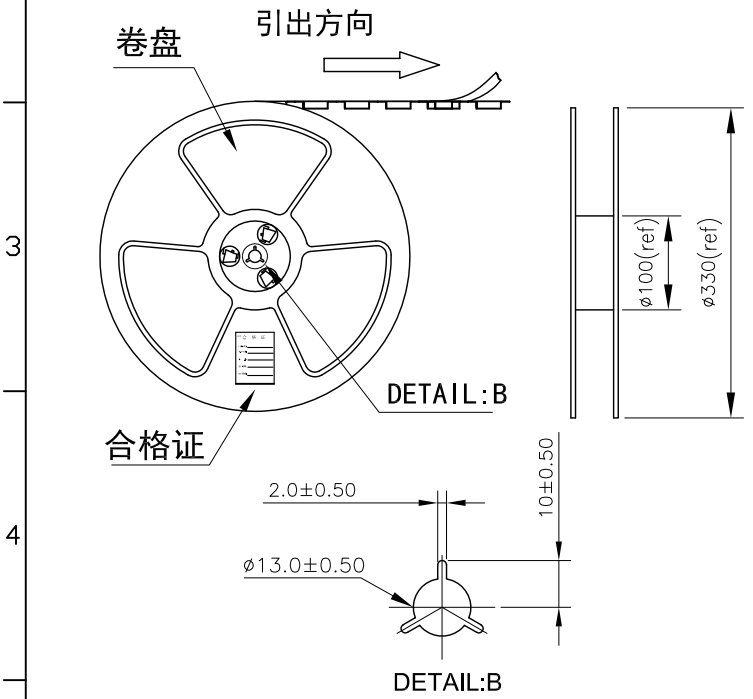
X.± 0.5	X.±'	USE: MANUFACTURE
.X± 0.3	.X±'	APPD: 邵敬和
.XX±0.25	.XX±'	CHKD: 田峰
--	--	DR: 蒋建银
UNITS: mm		

TITLE: A2502AWV 包装规范	
PART NO.: A2502AWV-nP	
DWG NO.: GCBZ-0515	
SCALE: 1 : 1	SHEET: 1 / 1

REV	ECN No.	DESCRIPTION	DESIGN	DATE
A		Release	吴丹平	2015.11.12



(PET膜剥离示意图)



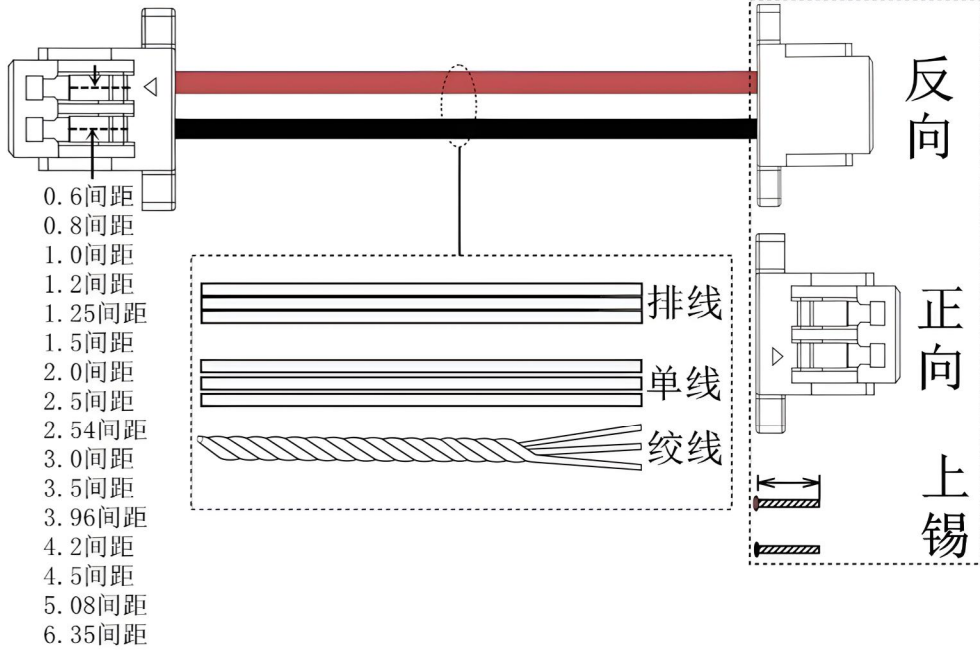
列表一

Circuits	DIM. D	DIM. E	Q'ty/Reel	Packing (Reel/Caton)
02-04PIN	-	24	700PCS	15/Reel
05-06PIN	28.4	32	700PCS	11/Reel
07-10PIN	40.4	44	700PCS	8/Reel
11-15PIN	52.4	56	700PCS	7/Reel

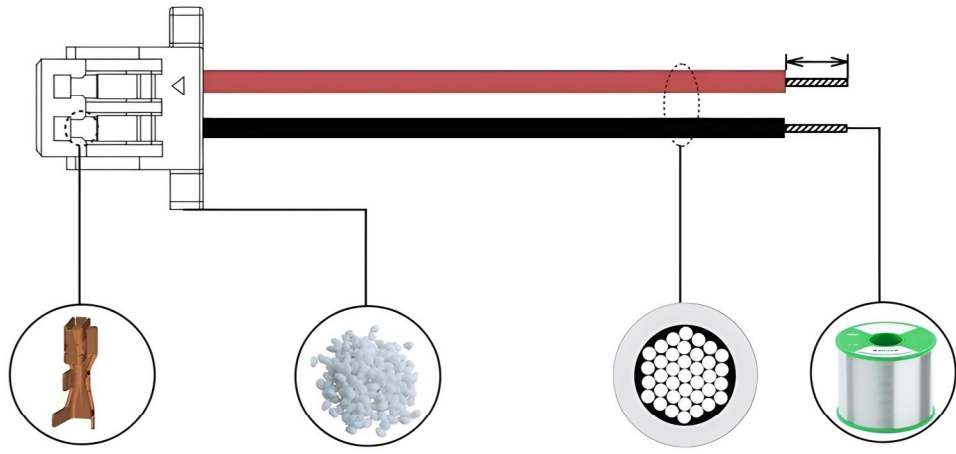
包装说明:

- 把成品包入卷盘中, 每盘装700PCS, 卷盘上贴上合格证, 将装好产品的卷盘放进外箱中, 外箱内先套一个大PE袋, 外箱上贴贴上合格证.
- 所有材料有害物控制需符合RoHS标准.

广东科斯达电子科技有限公司 GUANG DONG KE SI DA ELECTRONIC TECHNOLOGY CO., LTD.		TITLE: A2501AWR 包装规范	
X.± 0.5	X.±'	USE:	PART NO.:
.X± 0.3	.X±'	MANUFACTURE	A2502AWR-nP
.XX±0.25	.XX±'	APPD: 邵敬和	DWG NO.:
--	--	CHKD: 田峰	GCBZ-0514
UNITS: mm		DR: 吴丹平	SCALE
			1 : 1
			SHEET
			1 / 1



可定制·线色选择



- 黄铜 磷铜
- 先镀 后镀
- PT-PBT 94V-0
- 660-PA66 94V-0
- PGN0-P-640PG3G-NC (15%GF)
- $\times 0.1\text{mm}$ 环保无铅锡线
- $\times 0.12\text{mm}$
- $\times 0.16\text{mm}$

广东科斯达电子科技有限公司 GUANG DONG KE SI DA ELECTRONIC TECHNOLOGY CO., LTD.			TITLE: NH-T 端子 -	
X.±0.1	X.±1'	USE: MANUFACTURE	PART NO.:	
.X±0.05	.X±0.5'		DWG NO.:	
.XX±0.01	.XX±0.1'	APPD: 刘振岭	SCALE	
.XXX±0.005	.XXX±0.05'	CHKD: 王亮	1 : 1	SHEET
		UNITS: mm	DR: 蒋建银	1 / 1

电子线尺寸规格表

PVC绝缘电子线

型号	线规	铜丝材质	外皮材质	额定温度	额定电压
UL1007	30-16AWG	镀锡铜	PVC	80°C	300V
UL1015	26-10AWG	镀锡铜	PVC	105°C	600V
UL1061	32-14AWG	镀锡铜	PVC	80°C	300V
UL1571	32-14AWG	镀锡铜	PVC	80°C	30V
UL1672	26-12AWG	镀锡铜	PVC	105°C	300V
UL1617	24-10AWG	镀锡铜	PVC	105°C	600V
UL1569	30-10AWG	镀锡铜	PVC	105°C	300V
H05V-K VDE认证线	0.2-2.5MM ²	裸铜镀锡铜	PVC	70°C	300V/500V
RV线	0.2-6.0MM ²	裸铜	PVC	70°C	300V/500V
BV线	0.5-2.5MM ²	裸铜	PVC	70°C	450V/750V
BVV线	0.75-16MM ²	裸铜	PVC	70°C	450V/750V
BVR线	0.5-16MM ²	裸铜	PVC	70°C	450V/750V

XL-PE绝缘无卤线

型号	线规	铜丝材质	外皮材质	额定温度	额定电压
UL1430	30-16AWG	镀锡铜	XL-PVC	105°C	300V
UL10368	30-10AWG	镀锡铜	XL-PE	105°C	300V
UL3266	32-8AWG	镀锡铜	XL-PE	105°C	300V
UL3302	32-16AWG	镀锡铜	XL-PE	105°C	30V
UL3385	30-10AWG	镀锡铜	XL-PE	105°C	300V
UL3396	30-14AWG	镀锡铜	XL-PE	105°C	300V

PFA/FEP绝缘铁氟龙线

型号	线规	铜丝材质	外皮材质	额定温度	额定电压
UL1322	30-14AWG	镀锡铜	FEP	200°C	300V
UL1322双层绝缘线	28-10AWG	镀锡铜	FEP	200°C	300V
UL10064	32-10AWG	镀锡铜	FEP	105°C	30V
UL10362	30-06AWG	镀锡铜	PFA	250°C	600V
VDE铁氟龙线	0.25-1.5MM ²	镀锡铜	FEP	180°C	300V

硅橡胶绝缘高温线

型号	线规	铜丝材质	外皮材质	额定温度	额定电压
UL3239硅橡胶线	30-16AWG	镀锡铜	硅橡胶	200°C	3KV/6KV/10KV
UL3239双层绝缘线	24-18AWG	镀锡铜	硅橡胶	200°C	3KV6KV/10KV
UL3122编织线	24-16AWG	镀锡铜	硅橡胶	200°C	300V
UL3135硅橡胶线	32-10AWG	镀锡铜	硅橡胶	200°C	600V
UL3132硅橡胶线	30-24AWG	镀锡铜	硅橡胶	150°C	300V
CCC编织硅橡胶线	0.5-6.0MM ²	镀锡铜	硅橡胶	200°C	300V
平方硅橡胶线	0.2-2.5MM ²	镀锡铜	硅橡胶		
H05S-K VDE平方硅橡胶线	0.5-2.5MM ²	镀锡铜	硅橡胶	180°C	300V/500V

排线2-20P

型号	线规	铜丝材质	外皮材质	额定温度	额定电压
UL2468排线	30-16AWG	镀锡铜	PVC	80°C	300V
UL20080排线	28-24AWG	镀锡铜	PVC	80°C	30V
软白排线	2.0/2.54间距7*0.11	镀锡铜	PVC		
2651灰排线	2.0/2.54间距	镀锡铜	PVC	105°C	300V
2651红边灰排/灰排	间距1.0/1.27	镀锡铜	PVC	105°C	300V
透明排线	2-12P/7*0.14	镀锡铜	PVC		
彩色排线	30-18AWG	镀锡铜	PVC	80/105°C	

排线2-20P

型号	线规	铜丝材质	外皮材质	额定温度	额定电压
UL2468排线	30-16AWG	镀锡铜	PVC	80°C	300V
UL20080排线	28-24AWG	镀锡铜	PVC	80°C	30V
软白排线	2.0/2.54间距7*0.11	镀锡铜	PVC		
2651灰排线	2.0/2.54间距	镀锡铜	PVC	105°C	300V
2651红边灰排/灰排	间距1.0/1.27	镀锡铜	PVC	105°C	300V
透明排线	2-12P/7*0.14	镀锡铜	PVC		
彩色排线	30-18AWG	镀锡铜	PVC	80/105°C	

电子线颜色选型定制



 广东科斯达电子科技有限公司 GUANG DONG KE SI DA ELECTRONIC TECHNOLOGY CO., LTD.			TITLE: NH-T 端子	
X.±0.1	X.±1'	USE: MANUFACTURE	PART NO.:	
.X±0.05	.X±0.5'		A1003T 端子	
.XX±0.01	.XX±0.1'	APPD: 刘振岭	DWG NO.:	
.XXX±0.005	.XXX±0.05'	CHKD: 王亮	SCALE	
 UNITS: mm		DR: 蒋建银	1 : 1	SHEET 1 / 1