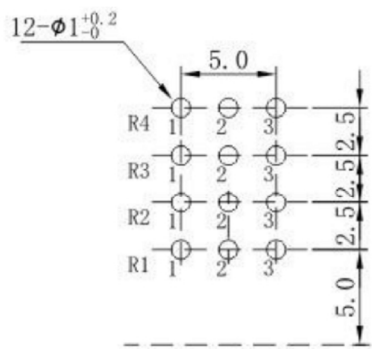


SHAFT SHOWN IN FULL
C. C. W. POSITION



MOUNTING SURFACE

P. C. B MOUNTING HOLE DETAIL

KSD RV097 SERIES ROTARY POTENTIOMETERS
SWITCH CONNECTOR RV097 旋转电位器

Electrical characteristics 电气特性

| | |
|----------------------------------|-------------------------------------|
| Total Resistance Range 总阻值 | 500Ω±TR≤1MΩ |
| Resistance Tolerance 总阻值容许公差 | ±20% |
| Resistance Taper 阻值线性 | A,B,C taper. |
| Rating Power 额定功率 | B taper: 0.05W ; Other taper: 0.02W |
| Slide Noise 杂讯 | Less than 100mV |
| Residual Resistance Value 残留阻值 | Less than 20Ω |
| Dielectric Voltage 耐电压 | For 1 minute or more AC 250V |
| Insulation resistance 绝缘阻抗 | More than 100MΩ at DC 250V |
| Tracking Error 同步误差 | -40~0 dB ≤ ±3dB |
| Switch Contact Resistance 开关接触电阻 | 200mΩ Max |

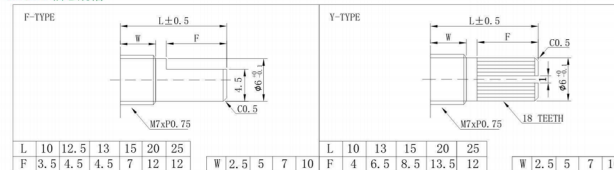
Mechanical characteristics 机械特性

| | |
|----------------------------------|--------------------|
| Total Rotational Angle 旋转角度 | 300°±10° |
| Rotational Torque 旋转力矩 | 20gf.cm~250 gf.cm |
| Number of click 档位数量 | 1CC,11CC,21CC,41CC |
| Click Torque 档位力矩 | 100gf.cm~300 gf.cm |
| Stop Strength 止挡强度 | 4kgf.cm |
| Shaft Push & Pull Strength 轴推拉强度 | 10kgf.cm |
| Switch Rotation Angle 开关旋转角度 | 50°±10° |
| Switch Action 开关作动力 | 100~450gf.cm |

Environmental characteristics

| | |
|----------------------|---------------|
| Rotational Life 旋转寿命 | 10,000 cycles |
|----------------------|---------------|

RV097 轴心规格



* 具体轴心规格, 可依客户需求订做。
Specific axis specifications can be customized according to customer needs.

广东科斯达电子科技有限公司
KSDKG Guang dong Keside Electronic Technology Co., Ltd.

TOLERANCE UNLESS OTHERWISE STATED:
Up to 5 ±0.2
Above 5 ~ 15 ±0.3
Above 15 ~ 30 ±0.4
Above 30 ~ 50 ±0.5
Angle ±0.3°

3RD. ANGEL'S

UNITS MM

| | | | |
|------------------------|----------------|------------------|--------------------------------|
| DRAWN BY: Jack Lu | DATE: 07/23/13 | MAT'L | TITLE: ROTARY POTENTIOMETER |
| CHECKED BY: Jacky Chen | DATE: 07/23/13 | FINISH | MODLE: 旋转电位器系列 |
| APPROVED BY: Tony Kao | DATE: 07/23/13 | SCALE: 1:1 | DWG NO. KSD-RV-0971G4-H12.5-YP |
| | | SHEET NO. 1 of 1 | PART NO. |

| | | | |
|----------|-------------|----------|--------|
| 2 | 公差及料號更新 | Jack | 072313 |
| 1 | 圖面更新 | Frank Wu | 021012 |
| ITEM NO. | DESCRIPTION | DRAWN | DATE |

SIZE A4
VER R2