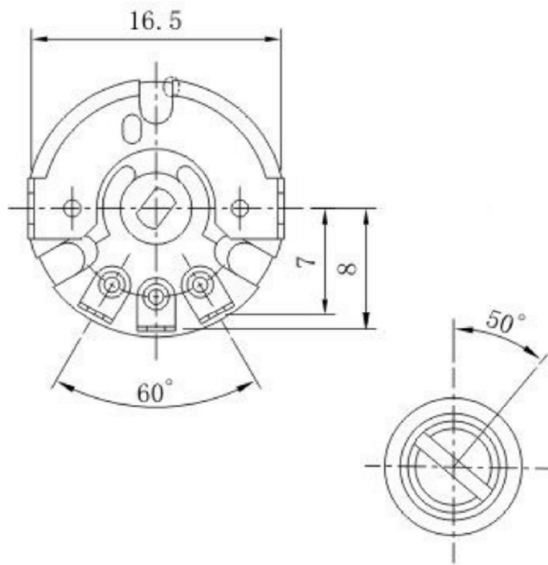


P. C. B MOUNTING HOLE DETAIL



FULL C. C. W POSITION

KSD RV170 SERIES ROTARY POTENTIOMETERS
SWITCH CONNECTOR RV170 旋转电位器

Electrical characteristics 电气特性

Total Resistance Range 总阻值	1K≤TR≤1MΩ
Resistance Tolerance 总阻值容许公差	±20%
Resistance Taper 阻值线性	A,B,C taper.
Rating Power 额定功率	B taper : 0.1W ; Other taper : 0.05W
Slide Noise 杂讯	Less than 100mV
Residual Resistance Value 残留阻值	Less than 20Ω
Dielectric Voltage 耐电压	For 1 minute or more AC 500V
Insulation resistance 绝缘阻抗	More than 100MΩ at DC 500V

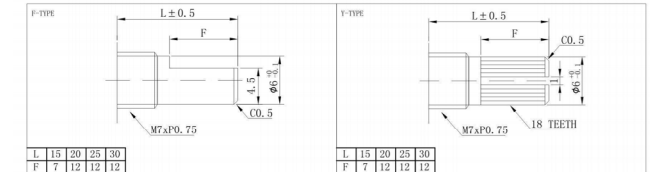
Mechanical characteristics 机械特性

Total Rotational Angle 旋转角度	260°±10°
Rotational Torque 旋转力矩	20gf.cm~200 gf.cm
Stop Strength 止挡强度	3kgf.cm
Switch Rotation Angle 开关旋转角度	30°±10°
Switch Action 开关作动力	100~ 450gf.cm

Environmental characteristics

Rotational Life 旋转寿命	10,000 cycles
----------------------	---------------

轴心规格



广东科斯达电子科技有限公司
KSDKG Guang dong Keside Electronic Technology Co., Ltd.

TOLERANCE UNLESS OTHERWISE STATED :
Up to 5 ±0.2
Above 5 ~ 15 ±0.3
Above 15 ~ 30 ±0.4
Above 30 ~ 50 ±0.5
Angle ±0.3°

3RD. ANGEL'S



UNITS MM

DRAWN BY: Jack Lu
CHECKED BY: Jacky Chen
APPROVED BY: Tony Kao
DATE: 07/23/13
DATE: 07/23/13
DATE: 07/23/13

MAT'L		TITLE	ROTARY POTENTIOMETER
FINISH		MODLE	旋转电位器系列
SCALE	1 : 1	DWG NO.	KSD-RV-1702N
SHEET NO.	1 of 1	PART NO.	
		SIZE	A4
		VER	R2