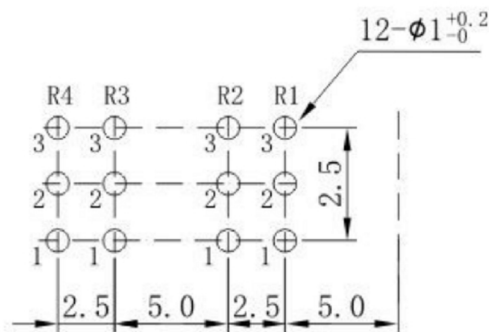


SHAFT SHOWN IN FULL
C. C. W. POSITION



P. C. B MOUNTING HOLE DETAIL

KSD SWITCH CONNECTOR **RV097 SERIES ROTARY POTENTIOMETERS**
RV097 旋转电位器

Electrical characteristics 电气特性

Total Resistance Range 总阻值	500Ω≤TR≤1MΩ
Resistance Tolerance 总阻值容许公差	±20%
Resistance Taper 阻值线性	A, B, C taper.
Rating Power 额定功率	B taper: 0.05W ; Other taper: 0.02W
Slide Noise 杂讯	Less than 100mV
Residual Resistance Value 残留阻值	Less than 20Ω
Dielectric Voltage 耐电压	For 1 minute or more AC 250V
Insulation resistance 绝缘阻抗	More than 100MΩ at DC 250V
Tracking Error 同步误差	-40~0 dB ≤ ±3dB
Switch Contact Resistance 开关接触电阻	200mΩ Max

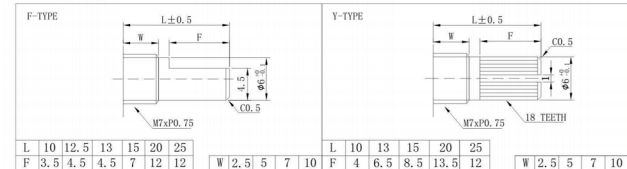
Mechanical characteristics 机械特性

Total Rotational Angle 旋转角度	300°±10°
Rotational Torque 旋转力矩	20gf.cm~250 gf.cm
Number of click 档位数量	1CC, 11CC, 21CC, 41CC
Click Torque 档位力矩	100gf.cm~300 gf.cm
Stop Strength 止挡强度	4kgf.cm
Shaft Push & Pull Strength 轴推拉强度	10kgf.cm
Switch Rotation Angle 开关旋转角度	50°±10°
Switch Action 开关作动力	100~450gf.cm

Environmental characteristics

Rotational Life 旋转寿命	10,000 cycles
----------------------	---------------

RV097 轴心规格



* 具体轴心规格, 可依据客户需求订做。
Specific axis specifications can be customized according to customer needs.

广东科斯达电子科技有限公司
KSDKG Guang dong Keside Electronic Technology Co., Ltd.

TOLERANCE UNLESS OTHERWISE STATED:
Up to 5 ±0.2
Above 5 ~ 15 ±0.3
Above 15 ~ 30 ±0.4
Above 30 ~ 50 ±0.5
Angle ±0.3°

3RD. ANGEL'S

UNITS MM

DRAWN BY: Jack Lu
CHECKED BY: Jacky Chen
APPROVED BY: Tony Kao

DATE: 07/23/13
DATE: 07/23/13
DATE: 07/23/13

MAT'L	TITLE	ROTARY POTENTIOMETER
FINISH	MODLE	旋转电位器系列
SCALE: 1 : 1	DWG NO.	KSD-RV-0971G4-YP
SHEET NO. 1 of 1	PART NO.	

SIZE: A4
VER: R2

2	公差及料號更新	Jack	072313
1	圖面更新	Frank Wu	021012
ITEM NO.	DESCRIPTION	DRAWN	DATE