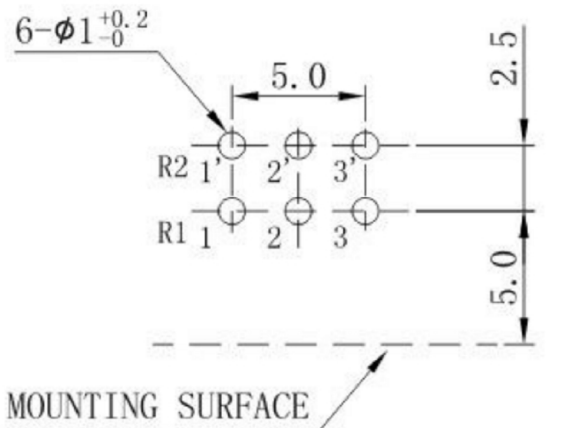


SHAFT SHOWN IN FULL  
C. C. W. POSITION



P. C. B MOUNTING HOLE DETAIL

L	25	30	30
F	8	8	8
L1	15	20	15
F1	5	5	5

**KSD** RV097 SERIES ROTARY POTENTIOMETERS  
SWITCH CONNECTOR RV097 旋转电位器

Electrical characteristics 电气特性

Total Resistance Range 总阻值	500Ω~TR≤1MΩ
Resistance Tolerance 总阻值容许公差	±20%
Resistance Taper 阻值线性	A, B, C taper.
Rating Power 额定功率	B taper: 0.05W ; Other taper: 0.02W
Slide Noise 杂讯	Less than 100mV
Residual Resistance Value 残留阻值	Less than 20Ω
Dielectric Voltage 耐电压	For 1 minute or more AC 250V
Insulation resistance 绝缘阻抗	More than 100MΩ at DC 250V
Tracking Error 同步误差	-40~0 dB ≤ ±3dB
Switch Contact Resistance 开关接触电阻	200mΩ Max

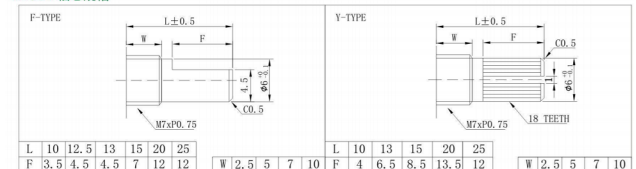
Mechanical characteristics 机械特性

Total Rotational Angle 旋转角度	300° ± 10°
Rotational Torque 旋转力矩	20gf.cm ~ 250 gf.cm
Number of click 段位数量	1CC, 11CC, 21CC, 41CC
Click Torque 段位力矩	100gf.cm ~ 300 gf.cm
Stop Strength 止挡强度	4kgf.cm
Shaft Push & Pull Strength 轴推拉强度	10kgf.cm
Switch Rotation Angle 开关旋转角度	50° ± 10°
Switch Action 开关作动力	100~450gf.cm

Environmental characteristics

Rotational Life 旋转寿命	10,000 cycles
----------------------	---------------

RV097 轴心规格



L	10	12	5	7	10	12	15	20	25
F	3.5	4.5	4.5	7	12	12	12	12	12
W	2.5	5	5	7	10	10	10	10	10
L	10	13	15	20	25				
F	4	6.5	8.5	13.5	12				
W	2.5	5	7	10	10				

\* 具体轴心规格，可依顾客需求订做。  
Specific axis specifications can be customized according to customer needs.

**广东科斯达电子科技有限公司**  
KSDKG Guang dong Keside Electronic Technology Co., Ltd.

TOLERANCE UNLESS OTHERWISE STATED:  
Up to 5 ±0.2  
Above 5 ~ 15 ±0.3  
Above 15 ~ 30 ±0.4  
Above 30 ~ 50 ±0.5  
Angle ±0.3°

3RD. ANGEL'S



UNITS

MM

DRAWN BY: Jack Lu  
CHECKED BY: Jacky Chen  
APPROVED BY: Tony Kao  
DATE: 07/23/13  
DATE: 07/23/13  
DATE: 07/23/13

MAT'L  
FINISH  
SCALE  
SHEET NO.

TITLE  
MODLE  
DWG NO.  
PART NO.

ROTARY POTENTIOMETER  
旋转电位器系列  
KSD-RV-0971G-YP

SIZE  
A4  
VER  
R2

2	公差及料號更新	Jack	072313
1	圖面更新	Frank Wu	021012
ITEM NO.	DESCRIPTION	DRAWN	DATE