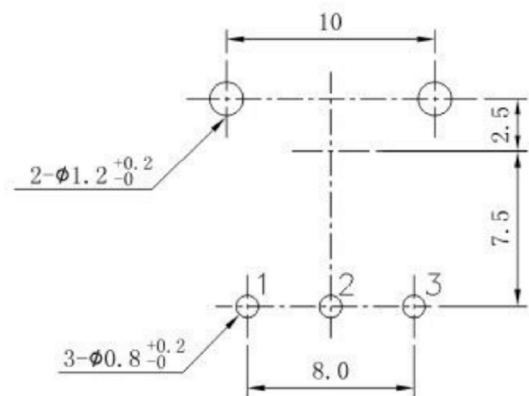
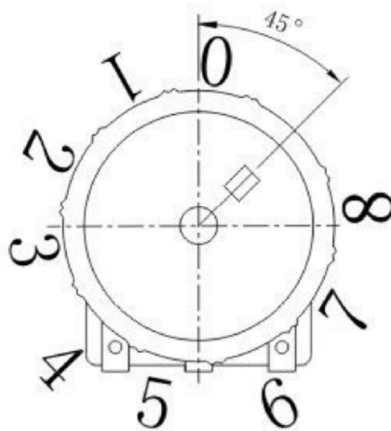


旋钮规格

D	φ14	φ14	φ14	φ14	φ16	φ16	φ16	φ16	φ18	φ20	φ20
T	0.8	1.0	2.0	2.8	1.0	2.0	2.65	2.8	2.0	2.0	2.8
H	2.2	2.4	3.4	4.2	2.4	3.4	4.0	4.2	3.4	3.4	3.4



P. C. B MOUNTING HOLE DETAIL



**KSD** RV087 SERIES ROTARY POTENTIOMETERS  
SWITCH CONNECTOR RV087 旋转电位器

Electrical characteristics 电气特性

Total Resistance Range 总阻值	1K≤TR≤1MΩ
Resistance Tolerance 总阻值容许公差	±20%
Resistance Taper 阻值线性	A,B,C taper.
Rating Power 额定功率	B taper : 0.05W ; Other taper : 0.02W
Slide Noise 杂讯	Less than 100mV
Residual Resistance Value 残留阻值	Less than 20Ω
Dielectric Voltage 耐电压	For 1 minute or more AC 250V
Insulation resistance 绝缘阻抗	More than 100MΩ at DC 250V
Switch Contact Resistance 开关接触电阻	200mΩ Max

Mechanical characteristics 机械特性

Total Rotational Angle 旋转角度	300°±10°
Rotational Torque 旋转力矩	10gf.cm~100 gf.cm
Stop Strength 止挡强度	3.5kgf.cm
Shaft Push & Pull Strength 轴推拉强度	10kgf.cm
Switch Rotation Angle 开关旋转角度	30°±10°
Switch Action 开关作动力	50~250gf.cm

Environmental characteristics

Rotational Life 旋转寿命	15,000 cycles
----------------------	---------------

**广东科斯达电子科技有限公司**  
KSDKG Guang dong Keside Electronic Technology Co., Ltd.

TOLERANCE UNLESS OTHERWISE STATED:  
Up to 5 ±0.2  
Above 5 ~ 15 ±0.3  
Above 15 ~ 30 ±0.4  
Above 30 ~ 50 ±0.5  
Angle ±0.3°

3RD. ANGEL'S



UNITS MM

DRAWN BY: Jack Lu 07/23/13  
CHECKED BY: Jacky Chen 07/23/13  
APPROVED BY: Tony Kao 07/23/13

MAT'L	TITLE	ROTARY POTENTIOMETER
FINISH	MODLE	旋转电位器系列
SCALE 1 : 1	DWG NO.	KSD-RV-1012N-T3. 5×13
SHEET NO. 1 of 1	PART NO.	
	SIZE	A4
	VER	R2

2	公差及料號更新	Jack	072313
1	圖面更新	Frank Wu	021012
ITEM NO.	DESCRIPTION	DRAWN	DATE