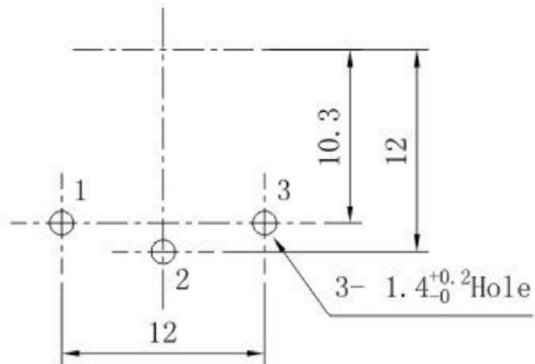


FULL C. C. W POSITION



P. C. B MOUNTING HOLE DETAIL

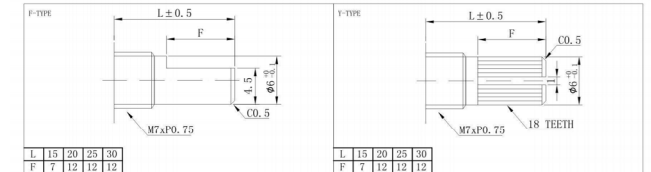
**KSD** RV170 SERIES ROTARY POTENTIOMETERS  
SWITCH CONNECTOR RV170 旋转电位器

Electrical characteristics 电气特性	
Total Resistance Range 总阻值	1K≤TR≤1MΩ
Resistance Tolerance 总阻值容许公差	±20%
Resistance Taper 阻值线性	A,B,C taper.
Rating Power 额定功率	B taper : 0.1W ; Other taper : 0.05W
Slide Noise 杂讯	Less than 100mV
Residual Resistance Value 残留阻值	Less than 20Ω
Dielectric Voltage 耐电压	For 1 minute or more AC 500V
Insulation resistance 绝缘阻抗	More than 100MΩ at DC 500V

Mechanical characteristics 机械特性	
Total Rotational Angle 旋转角度	260°±10°
Rotational Torque 旋转力矩	20gf.cm~200 gf.cm
Stop Strength 止挡强度	3kgf.cm
Switch Rotation Angle 开关旋转角度	30°±10°
Switch Action 开关作动力	100~ 450gf.cm

Environmental characteristics	
Rotational Life 旋转寿命	10,000 cycles

轴心规格



**广东科斯达电子科技有限公司**  
KSDKG Guang dong Keside Electronic Technology Co., Ltd.

TOLERANCE UNLESS OTHERWISE STATED :  
Up to 5 ±0.2  
Above 5 ~ 15 ±0.3  
Above 15 ~ 30 ±0.4  
Above 30 ~ 50 ±0.5  
Angle ±0.3°

3RD. ANGEL'S



UNITS MM

DRAWN BY: Jack Lu  
CHECKED BY: Jacky Chen  
APPROVED BY: Tony Kao  
DATE: 07/23/13  
DATE: 07/23/13  
DATE: 07/23/13

MAT'L	TITLE	ROTARY POTENTIOMETER
FINISH	MODLE	旋转电位器系列
SCALE 1 : 1	DWG NO.	KSD-RV-1701N
SHEET NO. 1 of 1	PART NO.	

ITEM NO.	DESCRIPTION	DRAWN	DATE
2	公差及料號更新	Jack	072313
1	圖面更新	Frank Wu	021012

SIZE A4  
VER R2