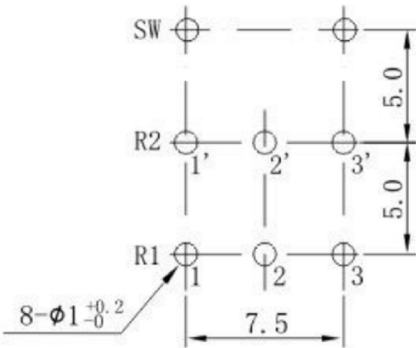


SHAFT SHOWN IN FULL
C. C. W. POSITION



P. C. B MOUNTING HOLE DETAIL

KSD SWITCH CONNECTOR
RV123 SERIES ROTARY POTENTIOMETERS
RV123 旋转电位器

Electrical characteristics 电气特性

Total Resistance Range 总阻值	1KsTRs1MΩ
Resistance Tolerance 总阻值容许公差	±20%
Resistance Taper 阻值线性	A, B, C taper.
Rating Power 额定功率	B taper : 0.08W ; Other taper : 0.04W
Slide Noise 杂讯	Less than 100mV
Residual Resistance Value 残留阻值	Less than 20Ω
Dielectric Voltage 耐电压	For 1 minute or more AC 250V
Insulation resistance 绝缘阻抗	More than 100MΩ at DC 250V
Tracking Error 同步误差	-40~0 dB ± ±3dB
Switch Contact Resistance 开关接触电阻	Less than 500mΩ

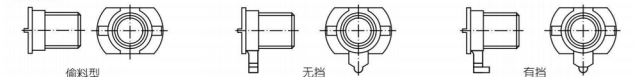
Mechanical characteristics 机械特性

Total Rotational Angle 旋转角度	300°±10°
Rotational Torque 旋转力矩	20gf.cm~200 gf.cm
Stop Strength 止挡强度	3kgf.cm
Shaft Push & Pull Strength 轴推拉强度	5kgf.cm
Switch Rotation Angle 开关旋转角度	30°±10°
Switch Action 开关作动力	100~450gf.cm

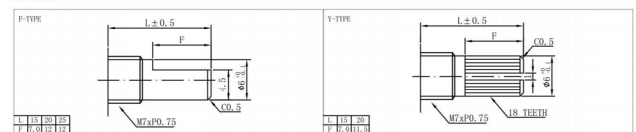
Environmental characteristics

Rotational Life 旋转寿命	10,000 cycles
----------------------	---------------

轴套规格



轴心规格



广东科斯达电子科技有限公司
KSDRG Guang dong Keside Electronic Technology Co., Ltd.

TOLERANCE UNLESS OTHERWISE STATED :
Up to 5 ±0.2
Above 5 ~ 15 ±0.3
Above 15 ~ 30 ±0.4
Above 30 ~ 50 ±0.5
Angle ±0.3

3RD. ANGEL'S



UNITS MM

DRAWN BY: Jack Lu DATE: 07/23/13
CHECKED BY: Jacky Chen DATE: 07/23/13
APPROVED BY: Tony Kao DATE: 07/23/13

MAT'L		TITLE	ROTARY POTENTIOMETER
FINISH		MODLE	旋转电位器系列
SCALE	1 : 1	DWG NO.	KSD-RV-1235GS
SHEET NO.	1 of 1	PART NO.	
		SIZE	A4
		VER	R2

2	公差及料號更新	Jack	072313
1	圖面更新	Frank Wu	021012
ITEM NO.	DESCRIPTION	DRAWN	DATE