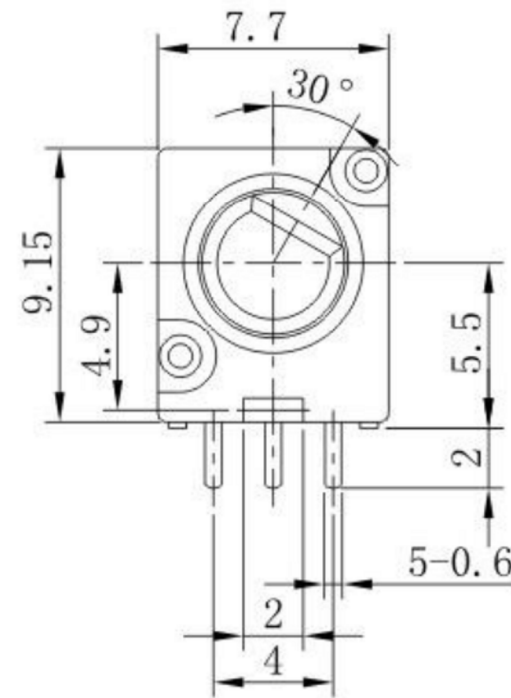


P. C. B MOUNTING HOLE DETAIL



SHAFT SHOWN IN FULL
C. C. W. POSTITION

广东科斯达电子科技有限公司
KSDKG Guang dong Keside Electronic Technology Co., Ltd.

TOLERANCE UNLESS OTHERWISE STATED:
Up to 5 ± 0.2
Above 5 ~ 15 ± 0.3
Above 15 ~ 30 ± 0.4
Above 30 ~ 50 ± 0.5
Angle $\pm 0.3'$

3RD.
ANGEL'S



UNITS MM

DRAWN BY: Jack Lu
CHECKED BY: Jacky Chen
APPROVED BY: Tony Kao
DATE: 07/23/13
DATE: 07/23/13
DATE: 07/23/13

MAT'L
FINISH
SCALE: 1 : 1
SHEET NO. 1 of 1

TITLE
MODLE
DWG NO.
PART NO.

ROTARY POTENTIOMETER
旋转电位器系列
KSD-RV-0871NS

SIZE: A4
VER: R2

2	公差及料號更新	Jack	072313
1	圖面更新	Frank Wu	021012
ITEM NO.	DESCRIPTION	DRAWN	DATE