

P. C. B. MOUNTING DETAIL

EC25 EC28 EC35 EC43 ROTARY ENCODER  
EC25 EC28 EC35 EC43 编码器

Electrical characteristics 电气特性

|                            |                              |      |      |      |
|----------------------------|------------------------------|------|------|------|
| Rating Power 额定功率          | DC5V                         |      |      |      |
| Sliding Noise(Bounce)滑动杂音  | T2s3ms                       |      |      |      |
| Dielectric Voltage 耐电压     | For 1 minute or more AC 110V |      |      |      |
| Insulation resistance 绝缘阻抗 | More than 10MQ at DC 110V    |      |      |      |
| Resolution 分解能力            | EC25                         | EC28 | EC35 | EC43 |
|                            | 10P & 20P                    | 15P  | 15P  | 20P  |
| Phase Difference 相位差       | ΔT±5MS                       |      |      |      |

Mechanical characteristics 机械特性

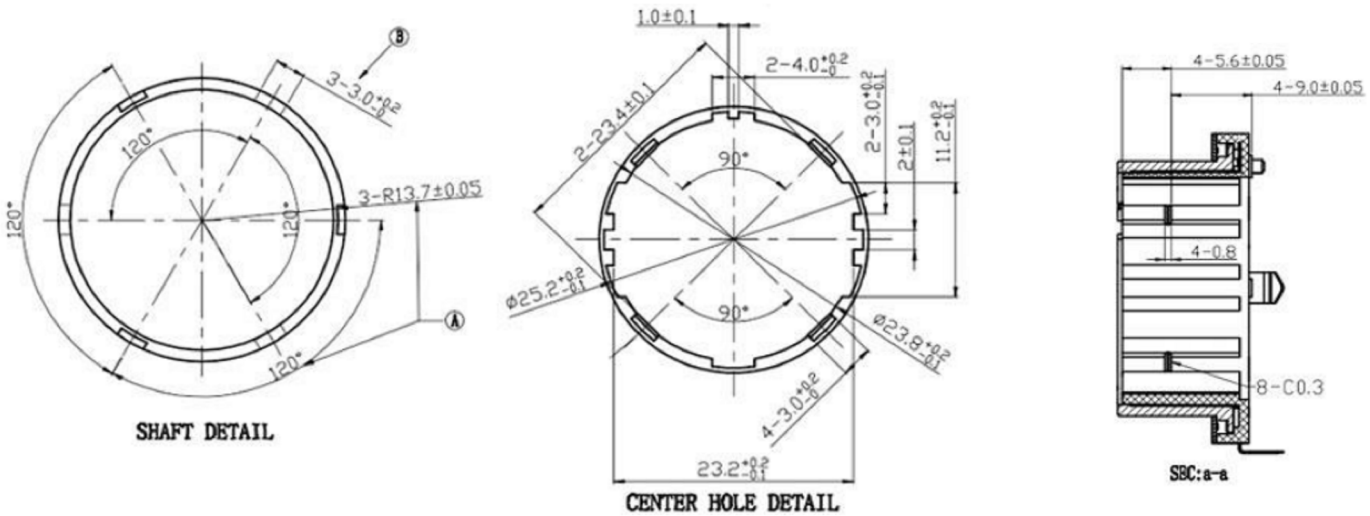
|                             |                   |      |      |      |
|-----------------------------|-------------------|------|------|------|
| Total Rotational Angle 旋转角度 | 360°              |      |      |      |
| Rotational Torque 旋转力矩      | 50gf.cm~250 gf.cm |      |      |      |
| Number of click 段位数量        | EC25              | EC28 | EC35 | EC43 |
|                             | 10C & 20C         | 30C  | 30C  | 20C  |

Environmental characteristics

|                      |               |
|----------------------|---------------|
| Rotational Life 旋转寿命 | 30,000 cycles |
|----------------------|---------------|

输出信号

| 输出旋转方向<br>Shaft rotational<br>direction | 信号<br>Signal                 | 正向<br>Direction                     | 反向<br>Reverse                       |
|---|------------------------------|-------------------------------------|-------------------------------------|
| 顺时针方向<br>C.C.                           | A(“A”端子)<br>A(Terminal A“C”) | OFF<br>ON<br>OFF<br>ON<br>OFF<br>ON | OFF<br>ON<br>OFF<br>ON<br>OFF<br>ON |
| 逆时针方向<br>C.C.R.                         | B(“B”端子)<br>B(Terminal B“C”) | OFF<br>ON<br>OFF<br>ON<br>OFF<br>ON | OFF<br>ON<br>OFF<br>ON<br>OFF<br>ON |



SHAFT DETAIL

CENTER HOLE DETAIL

|          |             |          |        |
|----------|-------------|----------|--------|
| 2        | 公差及料號更新     | Jack     | 072313 |
| 1        | 圖面更新        | Frank Wu | 021012 |
| ITEM NO. | DESCRIPTION | DRAWN    | DATE   |

**广东科斯达电子科技有限公司**  
KSDKG Guang dong Keside Electronic Technology Co., Ltd.

TOLERANCE UNLESS OTHERWISE STATED :  
Up to 5 ±0.2  
Above 5 ~ 15 ±0.3  
Above 15 ~ 30 ±0.4  
Above 30 ~ 50 ±0.5  
Angle ±0.3

3RD. ANGEL'S

UNITS MM

|              |          |           |          |                      |
|--------------|----------|-----------|----------|----------------------|
| DRAWN BY:    | DATE     | MAT'L     | TITLE    | EC ENCODING SWITCH   |
| Jack Lu      | 07/23/13 |           |          |                      |
| CHECKED BY:  | DATE     | FINISH    | MODLE    | EC编码开关系列             |
| Jacky Chen   | 07/23/13 |           |          |                      |
| APPROVED BY: | DATE     | SCALE     | DWG NO.  | KSD-EC3501-AX (Y歪柱子) |
| Tony Kao     | 07/23/13 | 1 : 1     |          |                      |
|              |          | SHEET NO. | PART NO. | SIZE                 |
|              |          | 1 of 1    |          | A4                   |
|              |          |           |          | VER                  |
|              |          |           |          | R2                   |