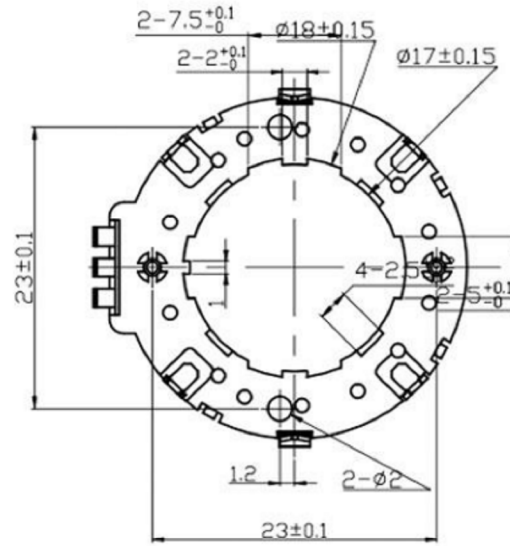
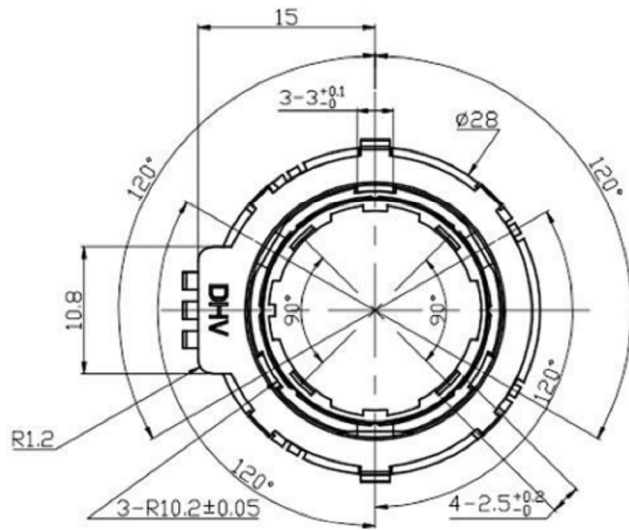


P. C. B. MOUNTING DETAIL



EC25 EC28 EC35 EC43 ROTARY ENCODER
EC25 EC28 EC35 EC43 编码器

Electrical characteristics 电气特性

| | | | | |
|----------------------------|------------------------------|------|------|------|
| Rating Power 额定功率 | DC5V | | | |
| Sliding Noise(Bounce)滑动杂音 | T2≤3ms | | | |
| Dielectric Voltage 耐电压 | For 1 minute or more AC 110V | | | |
| Insulation resistance 绝缘阻抗 | More than 10MΩ at DC 110V | | | |
| Resolution 分解能力 | EC25 | EC28 | EC35 | EC43 |
| | 10P & 20P | 15P | 15P | 20P |
| Phase Difference 相位差 | ΔT≥5MS | | | |

Mechanical characteristics 机械特性

| | | | | |
|-----------------------------|-------------------|------|------|------|
| Total Rotational Angle 旋转角度 | 360° | | | |
| Rotational Torque 旋转力矩 | 50gf.cm~250 gf.cm | | | |
| Number of click 段位数量 | EC25 | EC28 | EC35 | EC43 |
| | 10C & 20C | 30C | 30C | 20C |

Environmental characteristics

| | |
|----------------------|---------------|
| Rotational Life 旋转寿命 | 30,000 cycles |
|----------------------|---------------|

输出信号

| 输出旋转方向 Shaft rotational direction | 信号 Signal | 正向 Direction | 反向 Reverse |
|--------------------------------------|------------------------------|-----------------|---------------|
| 顺时针方向 C.C.K. | A(“C”端子) A(Terminal A“C”) | | |
| 逆时针方向 C.C.K. | B(“C”端子) B(Terminal B“C”) | | |

广东科斯达电子科技有限公司
KSDKG Guang dong Keside Electronic Technology Co., Ltd.

TOLERANCE UNLESS OTHERWISE STATED:
Up to 5 ±0.2
Above 5 ~ 15 ±0.3
Above 15 ~ 30 ±0.4
Above 30 ~ 50 ±0.5
Angle ±0.3°

3RD. ANGEL'S



UNITS MM

DRAWN BY: Jack Lu 07/23/13
CHECKED BY: Jacky Chen 07/23/13
APPROVED BY: Tony Kao 07/23/13

| | | |
|------------------|----------|--------------------|
| MAT'L | TITLE | EC ENCODING SWITCH |
| FINISH | MODLE | EC编码开关系列 |
| SCALE 1 : 1 | DWG NO. | KSD-EC2801 |
| SHEET NO. 1 of 1 | PART NO. | |
| | SIZE | A4 |
| | VER | R2 |

| ITEM NO. | DESCRIPTION | DRAWN | DATE |
|----------|-------------|----------|--------|
| 2 | 公差及料號更新 | Jack | 072313 |
| 1 | 圖面更新 | Frank Wu | 021012 |