

P. C. B. MOUNTING DETAIL

EC25 EC28 EC35 EC43 ROTARY ENCODER
EC25 EC28 EC35 EC43 编码器

Electrical characteristics 电气特性

Rating Power 额定功率	DC5V			
Sliding Noise(Bounce)滑动杂音	T2s3ms			
Dielectric Voltage 耐电压	For 1 minute or more AC 110V			
Insulation resistance 绝缘阻抗	More than 10MΩ at DC 110V			
Resolution 分解能力	EC25	EC28	EC35	EC43
	10P & 20P	15P	15P	20P
Phase Difference 相位差	ΔT±5MS			

Mechanical characteristics 机械特性

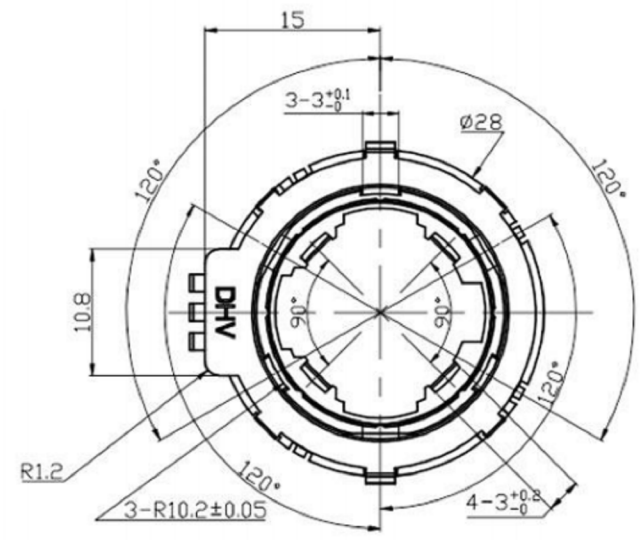
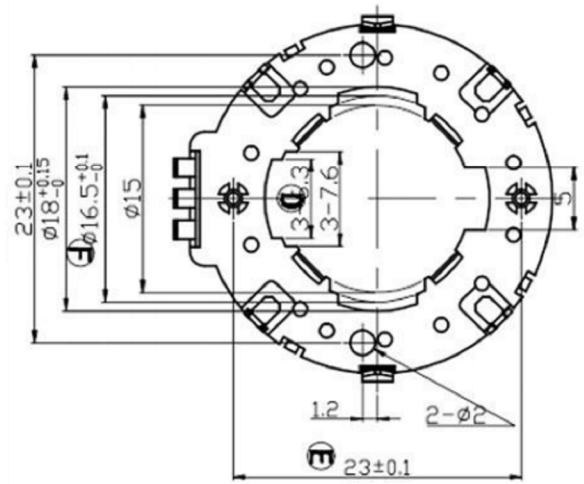
Total Rotational Angle 旋转角度	360°			
Rotational Torque 旋转力矩	50gf.cm~250 gf.cm			
Number of click 段位数量	EC25	EC28	EC35	EC43
	10C & 20C	30C	30C	20C

Environmental characteristics

Rotational Life 旋转寿命	30,000 cycles
----------------------	---------------

输出信号

输出旋转方向 Shaft rotational direction	信号 Signal	正向 Direction	反向 Reverse
顺时针方向 C.C.K.	A(“C”端子) A(Terminal A“C”)		
逆时针方向 C.C.K.	B(“C”端子) B(Terminal B“C”)		



广东科斯达电子科技有限公司
KSDKG Guang dong Keside Electronic Technology Co., Ltd.

TOLERANCE UNLESS OTHERWISE STATED:
Up to 5 ±0.2
Above 5 ~ 15 ±0.3
Above 15 ~ 30 ±0.4
Above 30 ~ 50 ±0.5
Angle ±0.3°

3RD. ANGEL'S

UNITS MM

DRAWN BY: Jack Lu	DATE 07/23/13	MAT'L	TITLE EC ENCODING SWITCH
CHECKED BY: Jacky Chen	DATE 07/23/13	FINISH	MODLE EC编码开关系列
APPROVED BY: Tony Kao	DATE 07/23/13	SCALE 1 : 1	DWG NO. KSD-EC2802
SHEET NO. 1 of 1		PART NO.	SIZE A4
			VER R2

ITEM NO.	DESCRIPTION	DRAWN	DATE
2	公差及料號更新	Jack	072313
1	圖面更新	Frank Wu	021012