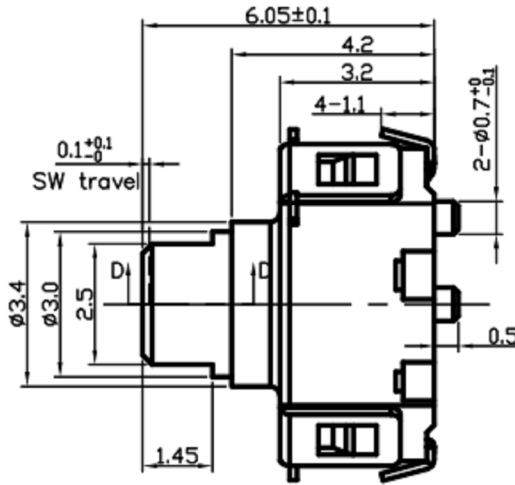
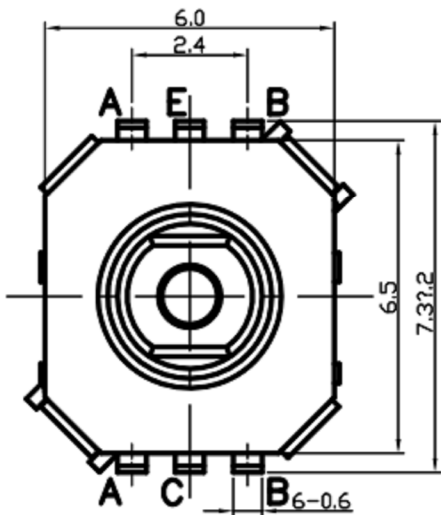
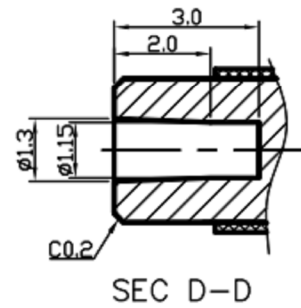


DIMENSIONS

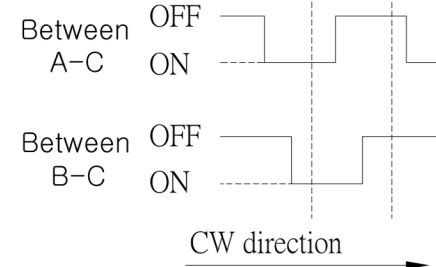


360°
Rotation



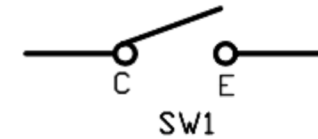
(SW01) ENCODER
(SW02) PUSH ON SW

CLICK Position



(SW01) OUTPUT

(SW02)CIRCUIT DIAGRAM



EC06 SERIES ROTARY ENCODER
EC06 编码器

Electrical characteristics 电气特性

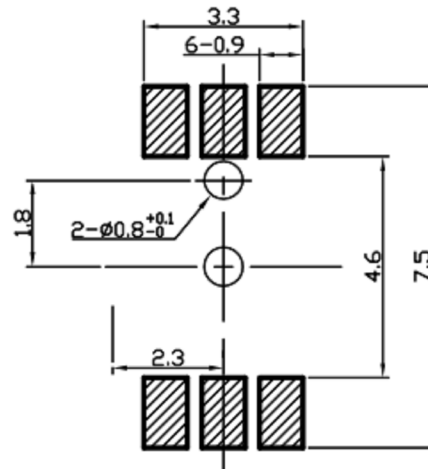
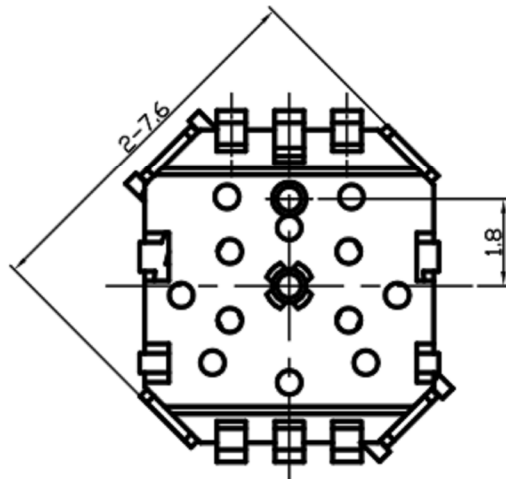
Rating Power 额定功率	DC5V 10mA
Fluttering 振荡	T1,T3≤5ms
Sliding Noise(Bounce)滑动杂音	T2≤2ms
Dielectric Voltage 耐电压	For 1 minute or more AC 300V
Insulation resistance 绝缘阻抗	More than 10MQ at DC 250V
Phase Difference 相位差	ΔT=0.15T±0.1T

Mechanical characteristics 机械特性

Total Rotational Angle 旋转角度	360°
Rotational Torque 旋转力矩	10gf.cm~100 gf.cm
Number of click 段位数量	12 Detents(Angle:30°±3°)

Environmental characteristics

Rotational Life 旋转寿命	30,000 cycles
----------------------	---------------



P.C.B.MOUNTING DETAIL

广东科斯达电子科技有限公司
KSDKG Guang dong Keside Electronic Technology Co., Ltd.

TOLERANCE UNLESS OTHERWISE STATED :
Up to 5 ±0.2
Above 5 ~ 15 ±0.3
Above 15 ~ 30 ±0.4
Above 30 ~ 50 ±0.5
Angle ±0.3°

3RD. ANGEL'S



UNITS MM

DRAWN BY: Jack Lu 07/23/13
CHECKED BY: Jacky Chen 07/23/13
APPROVED BY: Tony Kao 07/23/13

MAT'L		TITLE	EC ENCODING SWITCH
FINISH		MODLE	EC编码开关系列
SCALE	1 : 1	DWG NO.	KSD-EC0602S-A1
SHEET NO.	1 of 1	PART NO.	

2	公差及料號更新	Jack	072313
1	圖面更新	Frank Wu	021012
ITEM NO.	DESCRIPTION	DRAWN	DATE