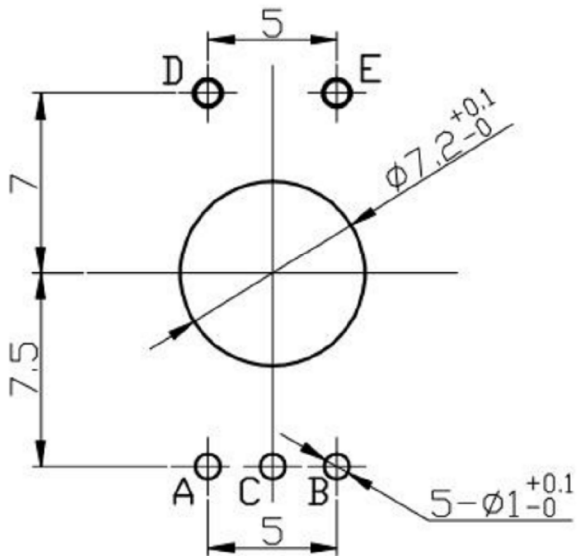
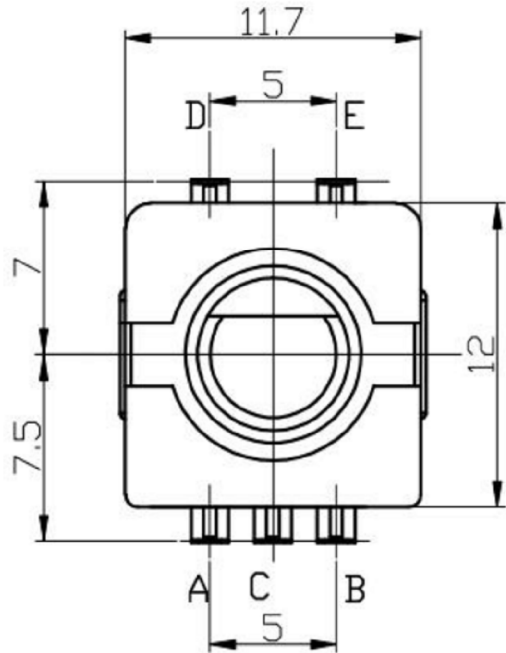
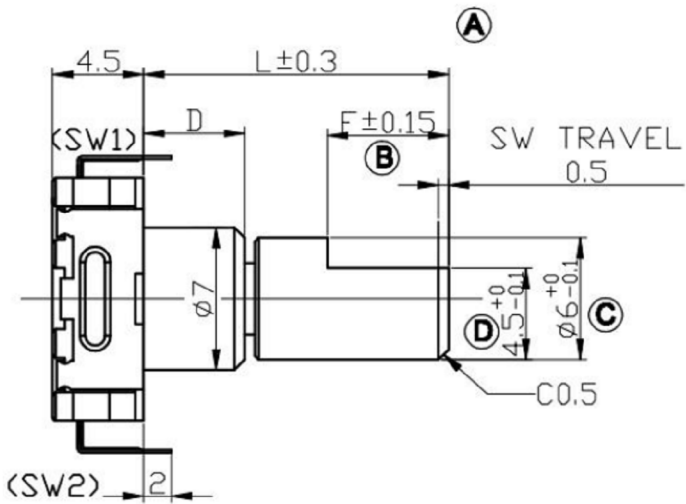
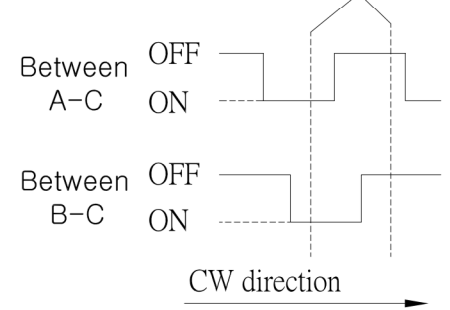


DIMENSIONS



P.C. BOARD MOUNTING HOLE DIMENSIONS

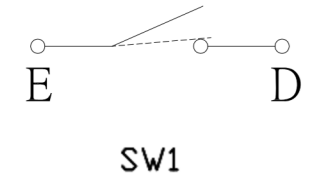
(SW01) ENCODER
(SW02) PUSH ON SW
CLICK Position



(SW01) OUTPUT

| Electrical characteristics 电气特性 | |
|-------------------------------------|--|
| Rating Power 额定功率 | DC5V 10mA |
| Fluttering 振荡 | T1, T3 ≤ 3ms |
| Sliding Noise(Bounce) 滑动杂音 | T2 ≤ 2ms |
| Dielectric Voltage 耐压 | For 1 minute or more AC 300V |
| Insulation resistance 绝缘阻抗 | More than 100MΩ at DC 250V |
| Phase Difference 相位差 | ΔT ≤ 0.08T |
| Mechanical characteristics 机械特性 | |
| Total Rotational Angle 旋转角度 | 360° |
| Rotational Torque 旋转力矩 | 30gf.cm ~ 200 gf.cm |
| Number of click 档位数量 | 30 Detents (Angle: 12° ± 2°) 20 Detents (Angle: 18° ± 2°) |
| Push-Pull Strength 轴推拉强度 | 10Kgf.cm Min for 10Sec |
| Bushing & nut tight strength 轴套锁紧强度 | 10.0Kgf Min |
| Switch Specifications 开关特性 | |
| Maximum Ratings 额定电压 | DC5V 10mA (1mA Min) |
| Contact resistance 接触阻抗 | 200mΩ Max |
| Travel of switch 开关移动量 | 0.5+0.4/-0.3 mm OR 1.5+0.4/-0.3 mm |
| Operating force of switch 开关动作力 | 500±200gf |
| Environmental characteristics | |
| Rotational Life 旋转寿命 | 30,000 cycles |
| Switch Life 开关寿命 | 20,000 cycles |

(SW02) CIRCUIT DIAGRAM



EC11 轴心轴套规格

| F-TYPE | Y-TYPE | | | | | | | | | | | | |
|---|--------------------|------|------------------|--------------------|-------------|-------------|---|-------|------|-----------------|--------------------|---------|-------------|
| | | | | | | | | | | | | | |
| <table border="1"> <tr> <td>D=3.5</td> <td>D=5</td> </tr> <tr> <td>L 9 10</td> <td>L 10 12 13 15 16 7</td> </tr> <tr> <td>F 4 4</td> <td>F 4 6 7 5 7</td> </tr> </table> | D=3.5 | D=5 | L 9 10 | L 10 12 13 15 16 7 | F 4 4 | F 4 6 7 5 7 | <table border="1"> <tr> <td>D=3.5</td> <td>D=5</td> </tr> <tr> <td>L 8.5</td> <td>L 9.5 11 11.8 12.5</td> </tr> <tr> <td>F 3.5</td> <td>F 4 4.5 5 5</td> </tr> </table> | D=3.5 | D=5 | L 8.5 | L 9.5 11 11.8 12.5 | F 3.5 | F 4 4.5 5 5 |
| D=3.5 | D=5 | | | | | | | | | | | | |
| L 9 10 | L 10 12 13 15 16 7 | | | | | | | | | | | | |
| F 4 4 | F 4 6 7 5 7 | | | | | | | | | | | | |
| D=3.5 | D=5 | | | | | | | | | | | | |
| L 8.5 | L 9.5 11 11.8 12.5 | | | | | | | | | | | | |
| F 3.5 | F 4 4.5 5 5 | | | | | | | | | | | | |
| <table border="1"> <tr> <td>D=7</td> <td>D=10</td> </tr> <tr> <td>L 12 13 15 17 20</td> <td>L 29 3 32</td> </tr> <tr> <td>F 4 4 5 7 7</td> <td>F 9 12</td> </tr> </table> | D=7 | D=10 | L 12 13 15 17 20 | L 29 3 32 | F 4 4 5 7 7 | F 9 12 | <table border="1"> <tr> <td>D=7</td> <td>D=10</td> </tr> <tr> <td>L 12 13 15 15 5</td> <td>L 19 5</td> </tr> <tr> <td>F 4 5 5</td> <td>F 6</td> </tr> </table> | D=7 | D=10 | L 12 13 15 15 5 | L 19 5 | F 4 5 5 | F 6 |
| D=7 | D=10 | | | | | | | | | | | | |
| L 12 13 15 17 20 | L 29 3 32 | | | | | | | | | | | | |
| F 4 4 5 7 7 | F 9 12 | | | | | | | | | | | | |
| D=7 | D=10 | | | | | | | | | | | | |
| L 12 13 15 15 5 | L 19 5 | | | | | | | | | | | | |
| F 4 5 5 | F 6 | | | | | | | | | | | | |

输出信号

| 轴的旋转方向 Shaft rotational direction | 信号 Signal | 正向 Direction | 反向 Reverse |
|--------------------------------------|-------------------------------|-----------------|---------------|
| 顺时针方向 C.C.W. | A (A`C端子间) A(Terminal A`C) | | |
| 逆时针方向 C.C.W. | B (B`C端子间) B(Terminal B`C) | | |

* 具体轴心规格，可依客户需求订做。
Specific axis specifications can be customized according to customer needs.

广东科斯达电子科技有限公司
KSDKG Guang dong Keside Electronic Technology Co., Ltd.

TOLERANCE UNLESS OTHERWISE STATED:
Up to 5 ±0.2
Above 5 ~ 15 ±0.3
Above 15 ~ 30 ±0.4
Above 30 ~ 50 ±0.5
Angle ±0.3

3RD. ANGEL'S



UNITS MM

| | | | |
|------------------------|----------------|-------------------|---------------------------|
| DRAWN BY: Jack Lu | DATE: 07/23/13 | MAT'L | TITLE: EC ENCODING SWITCH |
| CHECKED BY: Jacky Chen | DATE: 07/23/13 | FINISH | MODLE: EC编码开关系列 |
| APPROVED BY: Tony Kao | DATE: 07/23/13 | SCALE: 1 : 1 | DWG NO.: KSD-EC1107S |
| | | SHEET NO.: 1 of 1 | PART NO.: |
| | | | SIZE: A4 |
| | | | VER: R2 |