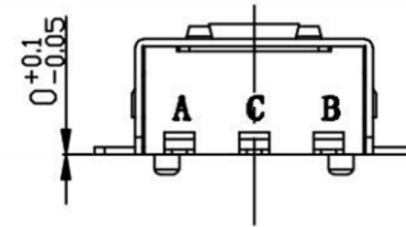
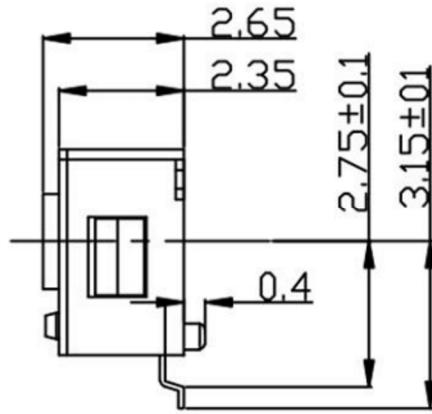
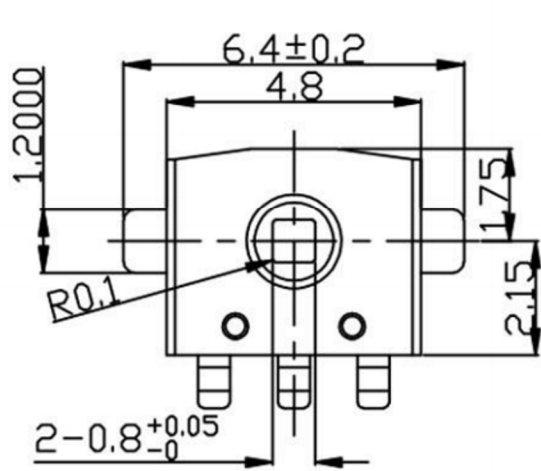


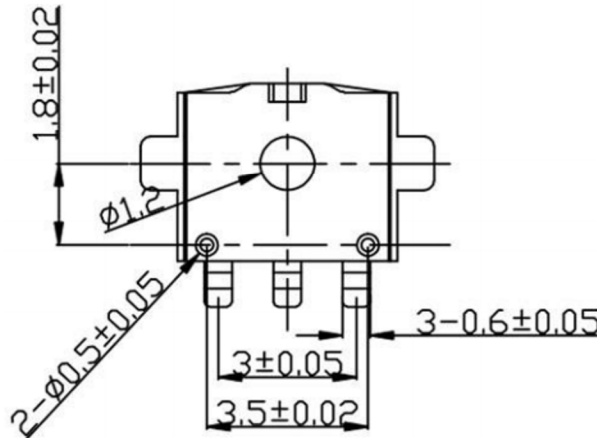
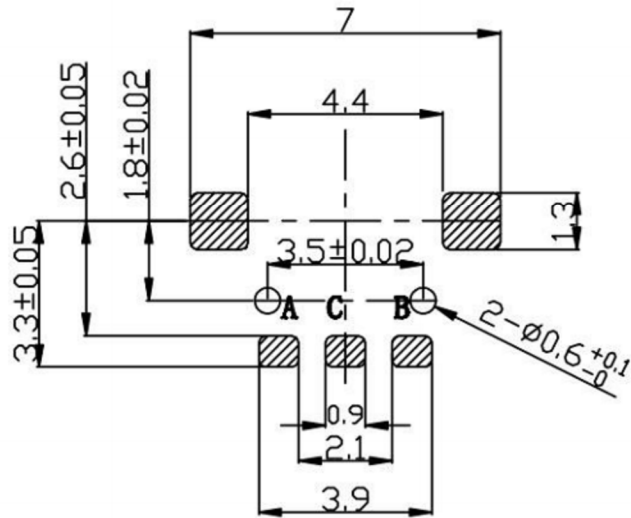
DIMENSIONS



360°  
Rotation

D — E  
PUSH ON SW

CIRCUIT DIAGRAM



P.C.BOARD MOUNTING HOLE DIMENSIONS

EC 编码器

Electrical characteristics 电气特性

Rating Power 额定功率	DC5V 10mA
Fluttering 振荡	T1,T3≤5ms
Sliding Noise(Bounce)滑动杂音	T2≤2ms
Dielectric Voltage 耐电压	For 1 minute or more AC 300V
Insulation resistance 绝缘阻抗	More than 10MQ at DC 250V
Phase Difference 相位差	ΔT=0.15T±0.1T

Mechanical characteristics 机械特性

Total Rotational Angle 旋转角度	360°
Rotational Torque 旋转力矩	10gf.cm~100 gf.cm
Number of click 档位数量	12 Detents(Angle:30°±3°)

Environmental characteristics

Rotational Life 旋转寿命	30,000 cycles
----------------------	---------------

**广东科斯达电子科技有限公司**  
KSDRG Guang dong Keside Electronic Technology Co., Ltd.

TOLERANCE UNLESS OTHERWISE STATED :  
Up to 5 ±0.2  
Above 5 ~ 15 ±0.3  
Above 15 ~ 30 ±0.4  
Above 30 ~ 50 ±0.5  
Angle ±0.3°

3RD. ANGEL'S



UNITS MM

DRAWN BY: Jack Lu 07/23/13  
CHECKED BY: Jacky Chen 07/23/13  
APPROVED BY: Tony Kao 07/23/13

MAT'L	TITLE	EC ENCODING SWITCH
FINISH	MODLE	EC编码开关系列
SCALE 1 : 1	DWG NO.	KSD-EC03
SHEET NO. 1 of 1	PART NO.	

2	公差及料號更新	Jack	072313
1	圖面更新	Frank Wu	021012
ITEM NO.	DESCRIPTION	DRAWN	DATE

SIZE A4  
VER R2