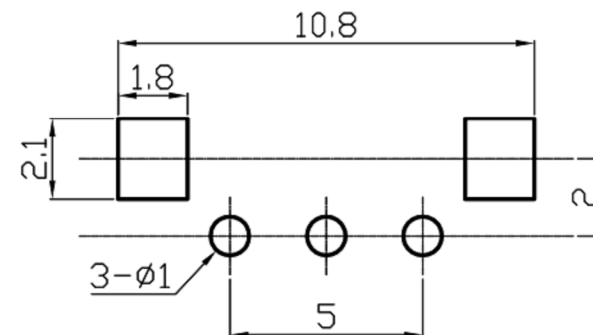
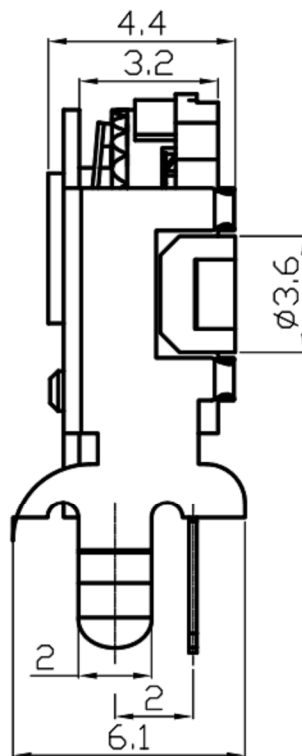
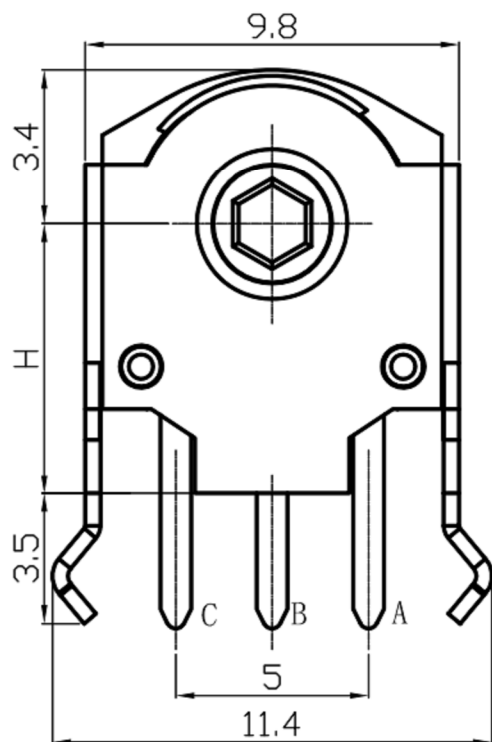
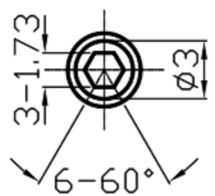


DIMENSIONS

● 360°
 \ Rotation



P.C.B.MOUNTING DETAIL



shaft detail

EC 编码器

Electrical characteristics 电气特性

Rating Power 额定功率	DC5V 10mA
Fluttering 振荡	T1,T3≤5ms
Sliding Noise(Bounce)滑动杂音	T2≤2ms
Dielectric Voltage 耐电压	For 1 minute or more AC 300V
Insulation resistance 绝缘阻抗	More than 10MΩ at DC 250V
Phase Difference 相位差	ΔT=0.15T±0.1T

Mechanical characteristics 机械特性

Total Rotational Angle 旋转角度	360°
Rotational Torque 旋转力矩	10gf.cm~100 gf.cm
Number of click 段位数量	12 Detents(Angle:30°±3°)

Environmental characteristics

Rotational Life 旋转寿命	30,000 cycles
----------------------	---------------

广东科斯达电子科技有限公司
 KSDRG Guang dong Keside Electronic Technology Co., Ltd.

TOLERANCE UNLESS OTHERWISE STATED:
 Up to 5 ±0.2
 Above 5 ~ 15 ±0.3
 Above 15 ~ 30 ±0.4
 Above 30 ~ 50 ±0.5
 Angle ±0.3°

3RD. ANGEL'S



UNITS MM

DRAWN BY: Jack Lu
 CHECKED BY: Jacky Chen
 APPROVED BY: Tony Kao
 DATE: 07/23/13

MAT'L	TITLE	EC ENCODING SWITCH
FINISH	MODLE	EC编码开关系列
SCALE 1 : 1	DWG NO.	KSD-EC1010
SHEET NO. 1 of 1	PART NO.	
	SIZE	A4
	VER	R2

2	公差及料號更新	Jack	072313
1	圖面更新	Frank Wu	021012
ITEM NO.	DESCRIPTION	DRAWN	DATE