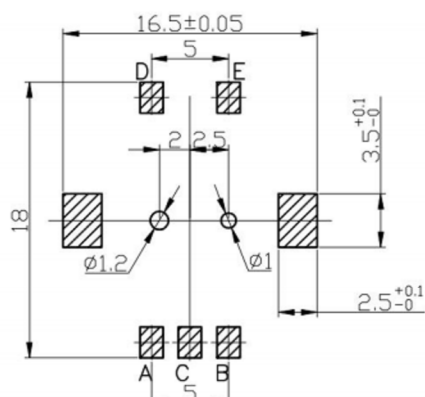
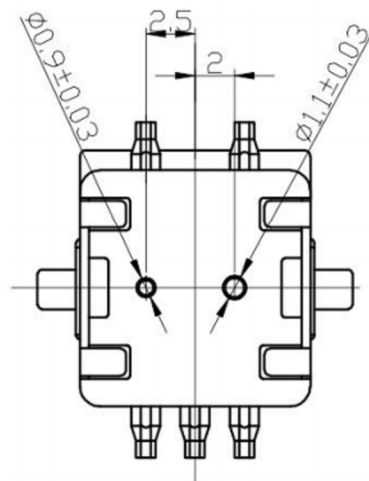


SW2 电路图
CIRCUIT DIAGRAM



P.C.B MOUNTING HOLE DETAIL



SW1 电路图
SWITCH CIRCUIT

Electrical characteristics 电气特性

Rating Power 额定功率	DC5V 10mA
Contact Resistance 接触阻抗	Less than 1Ω
Dielectric Voltage 耐电压	For 1 minute or more AC 300V
Insulation Resistance 绝缘阻抗	More than 100MΩ at DC 250V

Mechanical characteristics 机械特性

Total Rotational Angle 旋转角度	90°±10°
Rotational Torque 旋转力矩	30gf.cm~300 gf.cm
Shaft Push & Pull Strength 轴推拉强度	8kgf.cm
Travel of switch 开关移动量	0.5±0.3 mm
Operating force of switch 开关动作力	500±200gf

Environmental characteristics

Rotational Life 旋转寿命	30,000 cycles
Switch Life 开关寿命	20,000 cycles

F-TYPE	Y-TYPE																										
 L±0.5 W F 4.5 φ6.5 M9x0.75 C0.5	 L±0.5 W F φ6.5 M9x0.75 18 TEETH C0.5																										
<table border="1"> <tr><td>L</td><td>15</td><td>17.5</td><td>20</td><td>25</td></tr> <tr><td>F</td><td>7</td><td>9.5</td><td>12</td><td>12</td></tr> </table> <table border="1"> <tr><td>W</td><td>5</td><td>7</td></tr> </table>	L	15	17.5	20	25	F	7	9.5	12	12	W	5	7	<table border="1"> <tr><td>L</td><td>15</td><td>17.5</td><td>20</td><td>25</td></tr> <tr><td>F</td><td>7</td><td>9.5</td><td>12</td><td>12</td></tr> </table> <table border="1"> <tr><td>W</td><td>5</td><td>7</td></tr> </table>	L	15	17.5	20	25	F	7	9.5	12	12	W	5	7
L	15	17.5	20	25																							
F	7	9.5	12	12																							
W	5	7																									
L	15	17.5	20	25																							
F	7	9.5	12	12																							
W	5	7																									

广东科斯达电子科技有限公司
KSDKG Guang dong Keside Electronic Technology Co., Ltd.

TOLERANCE UNLESS OTHERWISE STATED:
 Up to 5 ±0.2
 Above 5 ~ 15 ±0.3
 Above 15 ~ 30 ±0.4
 Above 30 ~ 50 ±0.5
 Angle ±0.3°

3RD. ANGEL'S



UNITS MM

DRAWN BY: Jack Lu 07/23/13
 CHECKED BY: Jacky Chen 07/23/13
 APPROVED BY: Tony Kao 07/23/13

MAT'L	TITLE	KSD-RS ROTARY SWITCH	
FINISH	MODLE	KSD-RS旋转开关系列	
SCALE	1 : 1	DWG NO.	KSD-RS1109S
SHEET NO.	1 of 1	PART NO.	

ITEM NO.	DESCRIPTION	DRAWN	DATE
2	公差及料號更新	Jack	072313
1	圖面更新	Frank Wu	021012

SIZE A4
VER R2