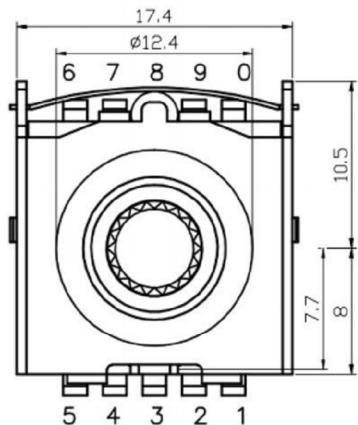
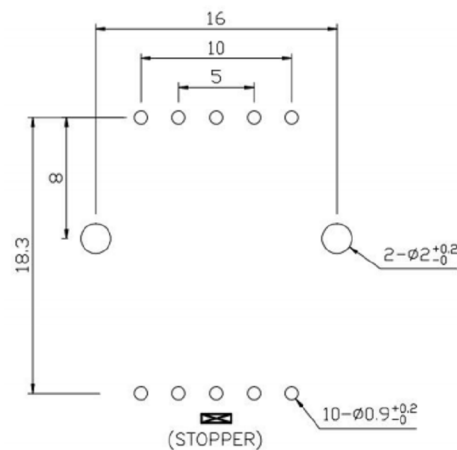


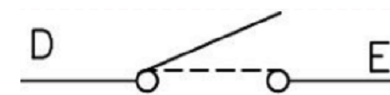
SW2 电路图  
CIRCUIT DIAGRAM



SHAFT SHOWN IN FULL  
CCW POSITION



P.C.B MOUNTING HOLE DETAIL



SW1 电路图  
SWITCH CIRCUIT

Electrical characteristics 电气特性

Rating Power 额定功率	DC5V 10mA
Contact Resistance 接触阻抗	Less than 1Ω
Dielectric Voltage 耐电压	For 1 minute or more AC 300V
Insulation Resistance 绝缘阻抗	More than 100MΩ at DC 250V

Mechanical characteristics 机械特性

Total Rotational Angle 旋转角度	90°±10°
Rotational Torque 旋转力矩	30gf.cm~300 gf.cm
Shaft Push & Pull Strength 轴推拉力强度	8kgf.cm
Travel of switch 开关移动量	0.5±0.3 mm
Operating force of switch 开关动作力	500±200gf

Environmental characteristics

Rotational Life 旋转寿命	30,000 cycles
Switch Life 开关寿命	20,000 cycles

F-TYPE	Y-TYPE																				
<table border="1"> <tr><td>L</td><td>15</td><td>17.5</td><td>20</td><td>25</td></tr> <tr><td>F</td><td>7</td><td>9.5</td><td>12</td><td>12</td></tr> </table>	L	15	17.5	20	25	F	7	9.5	12	12	<table border="1"> <tr><td>L</td><td>15</td><td>17.5</td><td>20</td><td>25</td></tr> <tr><td>F</td><td>7</td><td>9.5</td><td>12</td><td>12</td></tr> </table>	L	15	17.5	20	25	F	7	9.5	12	12
L	15	17.5	20	25																	
F	7	9.5	12	12																	
L	15	17.5	20	25																	
F	7	9.5	12	12																	
<table border="1"> <tr><td>W</td><td>5</td><td>7</td></tr> </table>	W	5	7	<table border="1"> <tr><td>W</td><td>5</td><td>7</td></tr> </table>	W	5	7														
W	5	7																			
W	5	7																			

**广东科斯达电子科技有限公司**  
KSDKG Guang dong Keside Electronic Technology Co., Ltd.

TOLERANCE UNLESS OTHERWISE STATED:  
Up to 5 ±0.2  
Above 5 ~ 15 ±0.3  
Above 15 ~ 30 ±0.4  
Above 30 ~ 50 ±0.5  
Angle ±0.3°

3RD. ANGEL'S



UNITS MM

DRAWN BY: Jack Lu 07/23/13  
CHECKED BY: Jacky Chen 07/23/13  
APPROVED BY: Tony Kao 07/23/13

MAT'L		TITLE	KSD-RS ROTARY SWITCH
FINISH		MODLE	KSD-RS旋转开关系列
SCALE	1 : 1	DWG NO.	KSD-RS1701
SHEET NO.	1 of 1	PART NO.	

SIZE A4  
VER R2

ITEM NO.	DESCRIPTION	DRAWN	DATE
2	公差及料號更新	Jack	072313
1	圖面更新	Frank Wu	021012