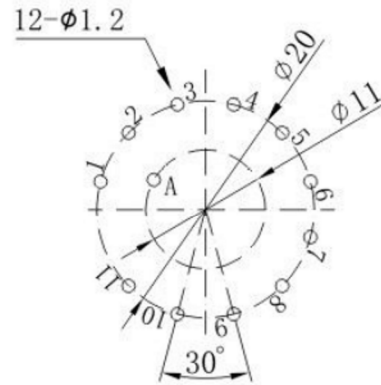
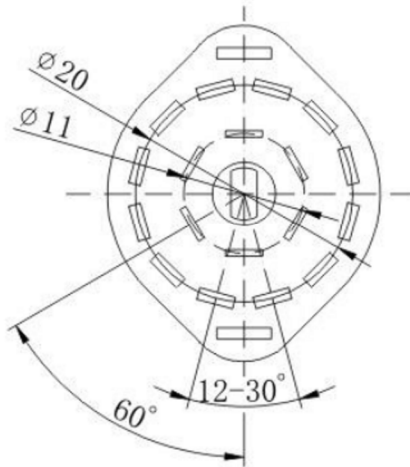


L	15	20	25
F	6	10	10



P. C. B MOUNTING HOLE DETAIL

Electrical characteristics 电气特性	
Rating Power 额定功率	DC30V 0.3A
Contact Resistance 接触阻抗	Less than 50mΩ
Dielectric Voltage 耐电压	For 1 minute or more AC 500V
Insulation Resistance 绝缘阻抗	More than 100MQ at DC 500V
Mechanical characteristics 机械特性	
Changeover Angle 切换角度	30° ± 3°
Rotational Torque 旋转力矩	1.3kgf.cm ± 0.3kgf.cm
Number Of Positios 接点数	2 to 12
Number Of Poles 极数	1 & 2
Shaft Stop Strength 止动强度	3kgf.cm
Environmental characteristics	
Rotational Life 旋转寿命	10,000 cycles

广东科斯达电子科技有限公司
KSDKG Guang dong Keside Electronic Technology Co., Ltd.

TOLERANCE UNLESS OTHERWISE STATED:
Up to 5 ± 0.2
Above 5 ~ 15 ± 0.3
Above 15 ~ 30 ± 0.4
Above 30 ~ 50 ± 0.5
Angle ± 0.3°

3RD. ANGEL'S



UNITS MM

DRAWN BY: Jack Lu 07/23/13
CHECKED BY: Jacky Chen 07/23/13
APPROVED BY: Tony Kao 07/23/13

MAT'L		TITLE	KSD-RS ROTARY SWITCH
FINISH		MODLE	KSD-RS旋转开关系列
SCALE	1 : 1	DWG NO.	KSD-RS-25
SHEET NO.	1 of 1	PART NO.	
		SIZE	A4
		VER	R2

ITEM NO.	DESCRIPTION	DRAWN	DATE
2	公差及料號更新	Jack	072313
1	圖面更新	Frank Wu	021012