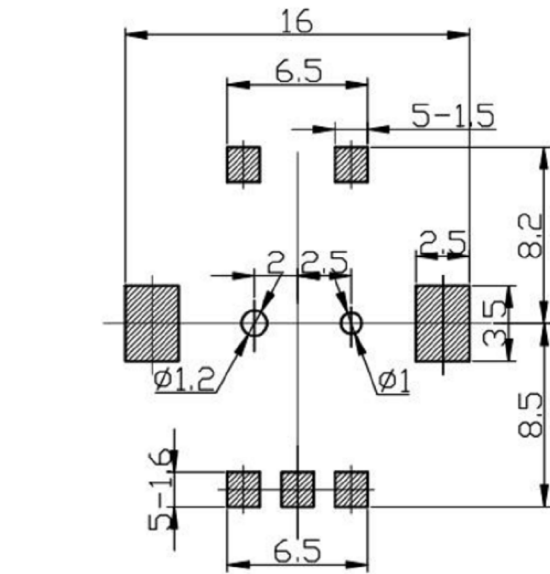
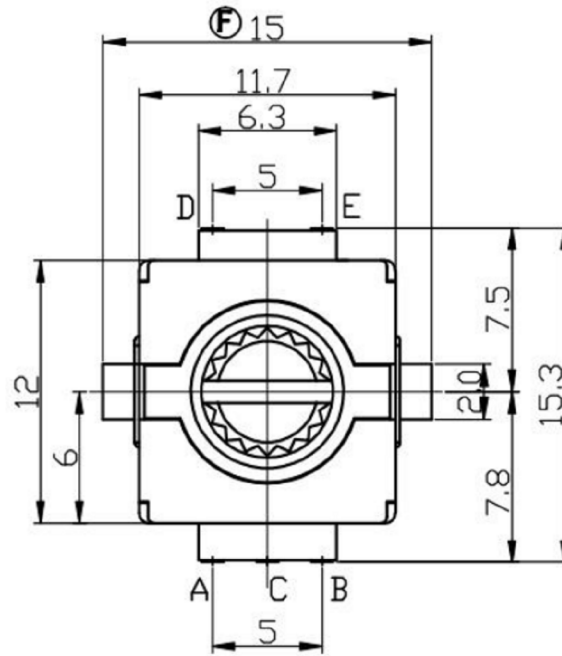
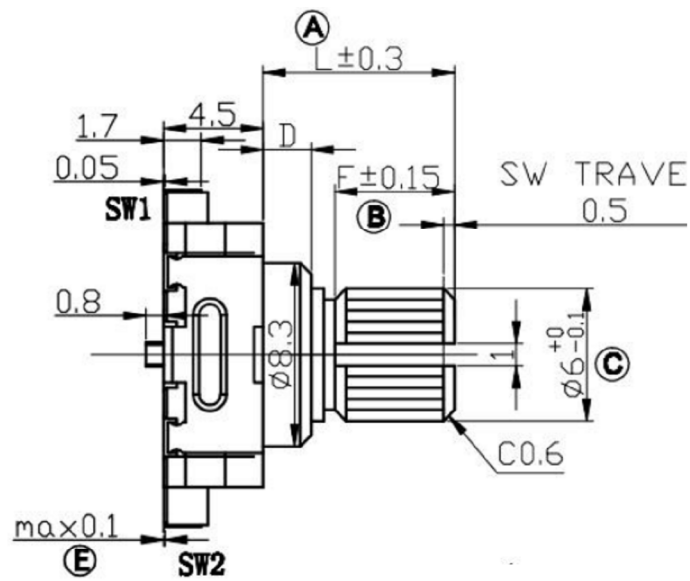
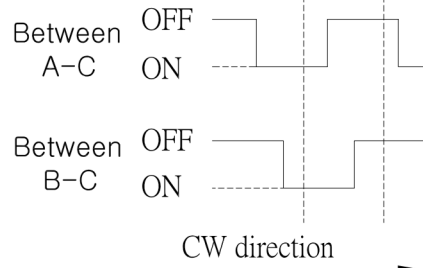


DIMENSIONS



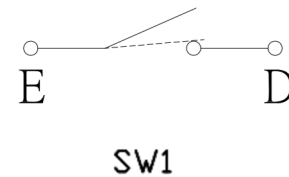
P.C. BOARD MOUNTING HOLE DIMENSIONS

(SW01) ENCODER
(SW02) PUSH ON SW
CLICK Position



(SW01) OUTPUT

(SW02)CIRCUIT DIAGRAM



Electrical characteristics 电气特性	
Rating Power 额定功率	DC5V 10mA
Fluttering 振荡	T1,T3≤3ms
Sliding Noise(Bounce)滑动杂音	T2≤2ms
Dielectric Voltage 耐电压	For 1 minute or more AC 300V
Insulation resistance 绝缘阻抗	More than 100MΩ at DC 250V
Phase Difference 相位差	ΔT≥0.08T
Mechanical characteristics 机械特性	
Total Rotational Angle 旋转角度	360°
Rotational Torque 旋转力矩	30gf.cm~200 gf.cm
Number of click 档位数量	30 Detents(Angle:1.2°±2°) 20 Detents(Angle:1.8°±2°)
Push-Pull Strength 轴推拉强度	10Kgf.cm Min for 10Sec
Bushing & nut tight strength 轴套锁紧强度	10.0Kgf Min
Switch Specifications 开关特性	
Maximum Ratings 额定电压	DC5V 10mA(1mA Min)
Contact resistance 接触阻抗	200mΩ Max
Travel of switch 开关移动量	0.5+0.4/-0.3 mm OR 1.5+0.4/-0.3 mm
Operating force of switch 开关动作力	500±200gf
Environmental characteristics	
Rotational Life 旋转寿命	30,000 cycles
Switch Life 开关寿命	20,000 cycles

EC11 轴心轴套规格

F-TYPE	Y-TYPE												
<table border="1"> <tr> <th>D=3.5</th> <th>D=5</th> </tr> <tr> <td>L 9.5 10</td> <td>L 10.2 11.5 13 15 16.7</td> </tr> <tr> <td>F 4 4</td> <td>F 4 6 7 5 7</td> </tr> </table>	D=3.5	D=5	L 9.5 10	L 10.2 11.5 13 15 16.7	F 4 4	F 4 6 7 5 7	<table border="1"> <tr> <th>D=3.5</th> <th>D=5</th> </tr> <tr> <td>L 8.5</td> <td>L 9.5 11 11.8 12.5</td> </tr> <tr> <td>F 3.5</td> <td>F 4 4.5 5 5</td> </tr> </table>	D=3.5	D=5	L 8.5	L 9.5 11 11.8 12.5	F 3.5	F 4 4.5 5 5
D=3.5	D=5												
L 9.5 10	L 10.2 11.5 13 15 16.7												
F 4 4	F 4 6 7 5 7												
D=3.5	D=5												
L 8.5	L 9.5 11 11.8 12.5												
F 3.5	F 4 4.5 5 5												
<table border="1"> <tr> <th>D=7</th> <th>D=10</th> </tr> <tr> <td>L 12.5 13 15 17 20</td> <td>L 29.5 32</td> </tr> <tr> <td>F 4 4 5 7 7</td> <td>F 9 12</td> </tr> </table>	D=7	D=10	L 12.5 13 15 17 20	L 29.5 32	F 4 4 5 7 7	F 9 12	<table border="1"> <tr> <th>D=7</th> <th>D=10</th> </tr> <tr> <td>L 12.5 13.5 15.5</td> <td>L 19.5</td> </tr> <tr> <td>F 4 5 5</td> <td>F 6</td> </tr> </table>	D=7	D=10	L 12.5 13.5 15.5	L 19.5	F 4 5 5	F 6
D=7	D=10												
L 12.5 13 15 17 20	L 29.5 32												
F 4 4 5 7 7	F 9 12												
D=7	D=10												
L 12.5 13.5 15.5	L 19.5												
F 4 5 5	F 6												

输出信号

轴的旋转方向 Shaft Rotational direction	信号 Signal	正向 Direction	反向 Reverse
顺时针方向 C.C.W.	A(A`C端子间) A(Terminal A`C)		
逆时针方向 C.C.W.	B(B`C端子间) B(Terminal B`C)		

* 具体轴心规格，可依客户需求订做。
Specific axis specifications can be customized according to customer needs.

广东科斯达电子科技有限公司
KSDKG Guang dong Keside Electronic Technology Co., Ltd.

TOLERANCE UNLESS OTHERWISE STATED:
Up to 5 ±0.2
Above 5 ~ 15 ±0.3
Above 15 ~ 30 ±0.4
Above 30 ~ 50 ±0.5
Angle ±0.3°

3RD. ANGEL'S



UNITS MM

DRAWN BY: Jack Lu	DATE: 07/23/13	MAT'L	TITLE: EC ENCODING SWITCH
CHECKED BY: Jacky Chen	DATE: 07/23/13	FINISH	MODLE: EC编码开关系列
APPROVED BY: Tony Kao	DATE: 07/23/13	SCALE: 1 : 1	DWG NO.: KSD-EC1123S
		SHEET NO.: 1 of 1	PART NO.
			SIZE: A4
			VER: R2