



## SPECIFICATIONS

**RATING:** 10A 250VAC, 15A 125VAC, 15A 250VAC, 20A 125VAC

**INSULATION RESISTANCE:** DC 500V 200MΩ Min.

**CONTACT RESISTANCE:** DC2-4V 1A 20mΩ Max.


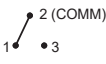


**WITHSTAND VOLTAGE:** AC 1500V Min.

## HOW TO ORDER

MODEL NO.	ACTUATOR	BUSHING	TERMINAL TYPE	CONTACT RATING	RoHS SOLDERING
See Switch Function	A1 A2 A3 (std) A4	B1 B2 (std) B3 B4	H1 H2 (std) H3 H4 H5	Q 20A 2 125VAC	<input type="checkbox"/> RoHS compliant <input type="checkbox"/> RoHS & Lead Free

Note: Standard: A3 - B2 - H2

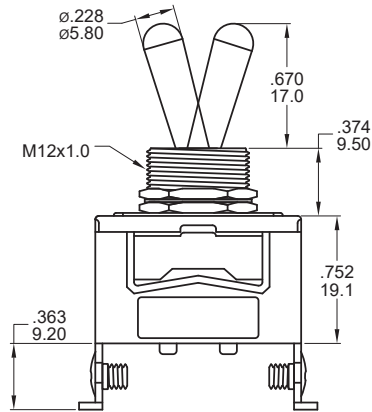
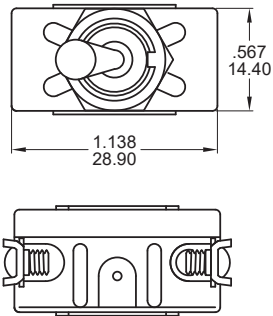
## ▼ SWITCH FUNCTION

NO. POLES	UL	MODEL NO.	SWITCH FUNCTION			CONNECTED TERMINALS / SCHEMATIC		
			POS.1	POS.2	POS.3	POS.1	POS.2	POS.3
SP	✓	703	OFF	NONE	ON	OPEN	N/A	1-3
		703A	OFF	NONE	MOM	OPEN	N/A	1-3
	✓	704-1	ON	NONE	ON	2-3	OPEN	2-1
		704-1A	MOM	NONE	ON			
	✓	704-2	ON	OFF	ON		OPEN	
		704-2A	MOM	OFF	ON			
	704-2B	MOM	OFF	MOM				
DP	✓	705	OFF	NONE	ON	OPEN	N/A	1-3,4-6
		705A	OFF	NONE	MOM			
	✓	706-1	ON	NONE	ON	2-3,5-6	OPEN	2-1,5-4
		706-1A	MOM	NONE	ON			
	✓	706-2	ON	OFF	ON		OPEN	
		706-2A	MOM	OFF	ON			
	706-2B	MOM	OFF	MOM				
3P		708-1	ON	NONE	ON	2-3,5-6,8-9	OPEN	1-2,4-5,7-8
		708-1A	ON	NONE	(ON)			
		708-2	ON	OFF	ON			
		708-2A	ON	OFF	MOM	OPEN	N/A	1-3,4-6,7-9
		708-2B	MOM	OFF	MOM			
		708-6P	OFF	NONE	ON			
	708-6PA	OFF	NONE	(ON)				
4P		709-1	ON	NONE	ON	2-3,5-6 8-9,11-12	OPEN	1-2,4-5 7-8,10-11
		709-1A	ON	NONE	(ON)			
		709-2	ON	OFF	ON			
		709-2A	ON	OFF	MOM	OPEN	N/A	1-3,4-6 7-9,10-12
		709-2B	MOM	OFF	MOM			
		709-8P	OFF	NONE	ON			
	709-8PA	OFF	NONE	(ON)				

MOM=MOMENTARY

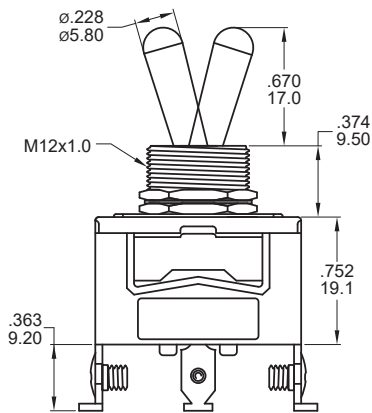
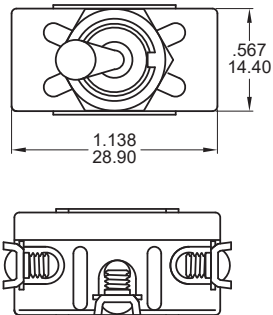


## ▼ POLE OPTIONS



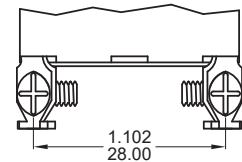
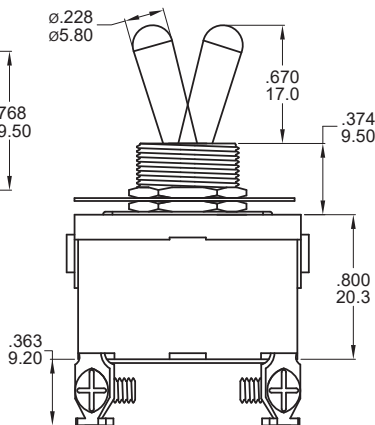
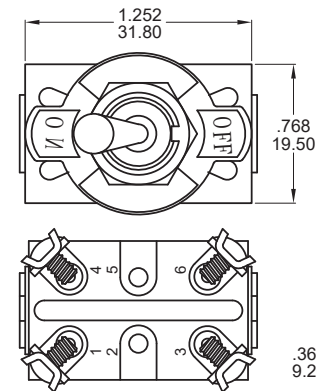
**SPST**

Model name. KSD-703-A3B2H2



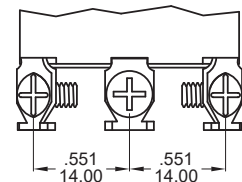
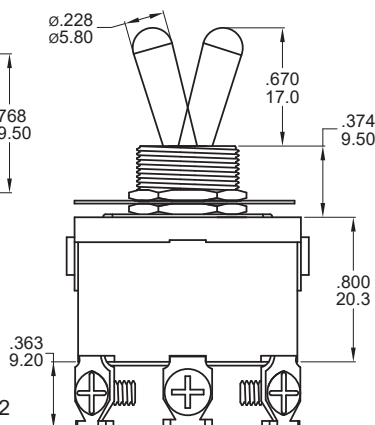
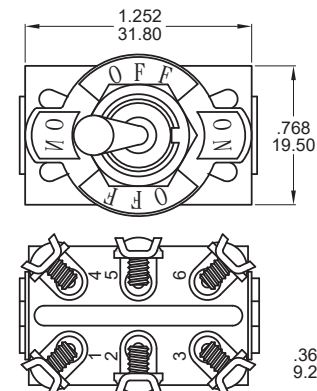
**SPDT**

Model name. KSD-704-1-A3B2H2



**DPST**

Model name. KSD-705-A3B2H2



**DPDT**

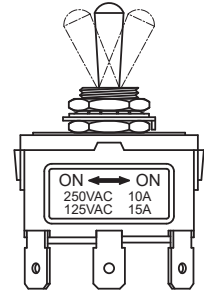
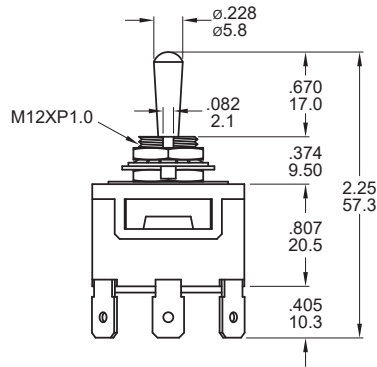
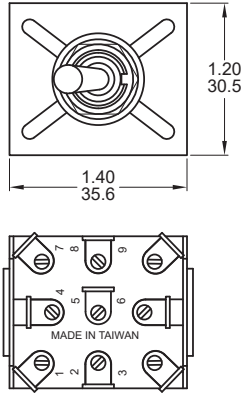
Model name. KSD-706-1-A3B2H2



# KSD-LPO Series

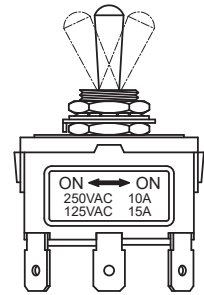
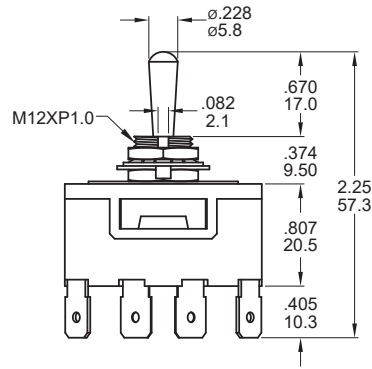
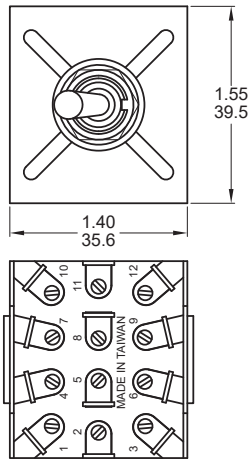
## Toggle Switches

KSD-LPO  
Toggle Switches



**3PDT**

Model name. KSD-708-1-A3B2H5

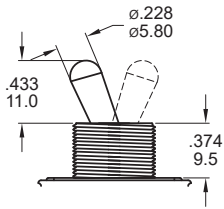


**4PDT**

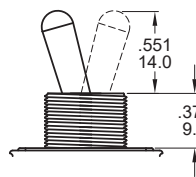
Model name. KSD-709-A3B2H5

### ▼ ACTUATOR OPTIONS

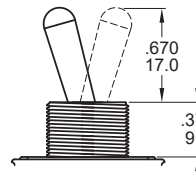
**A1**



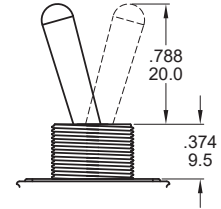
**A2**



**A3**

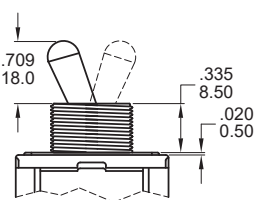


**A4**

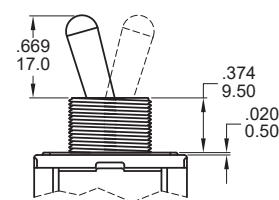


### ▼ BUSHING OPTIONS

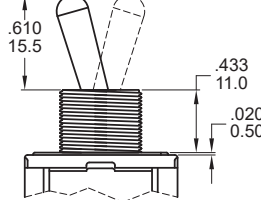
**B1**



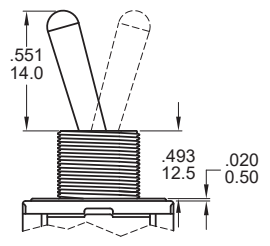
**B2**



**B3**

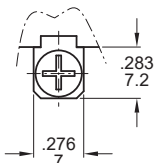


**B4**

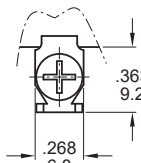


### ▼ TERMINAL OPTIONS

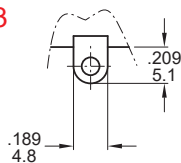
**H1**



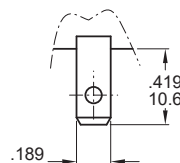
**H2**



**H3**



**H4**



**H5**

