



KSD

SWITCH CONNECTOR

SPECIFICATION

Rating: 10A 250VAC, 15A 125VAC

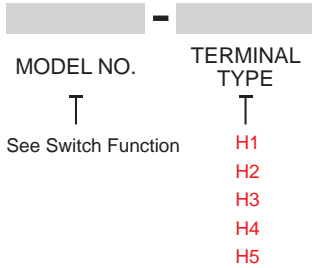
Insulation resistance: DC 500V 200MΩ or more

Contact resistance: DC 24V 1A 20mΩ or less

Withstand voltage: AC 1500V or more

KSD-LPU
Pushbutton Switches

HOW TO ORDER



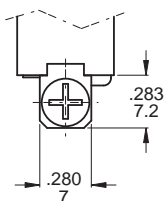
▼ SWITCH FUNCTION

NO. POLES	MODEL NO.	SWITCH FUNCTION		CONNECTED TERMINALS	
		POS.1	POS.2	POS.1	POS.2
SPST	PU703	ON	OFF	1-3	---
	PU703A	OFF	(ON)	1-3	---
	PU703B	ON	(OFF)	1-3	---
SPDT	PU704-1	ON	ON	1-2	2-3
	PU704-1A	ON	(ON)	1-2	2-3
DPST	PU705	ON	OFF	1-3,4-6	---
	PU705A	OFF	(ON)	1-3,4-6	---
	PU705B	ON	(OFF)	1-3,4-6	---
DPDT	PU706-1	ON	ON	1-2,4-5	2-3,5-6
	PU706-1A	ON	(ON)	1-2,4-5	2-3,5-6

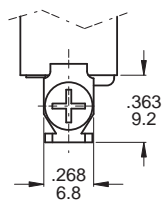
()=MOMENTARY

▼ TERMINAL OPTIONS

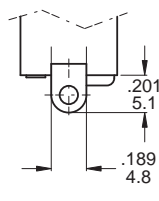
H1



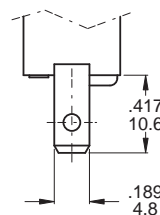
H2



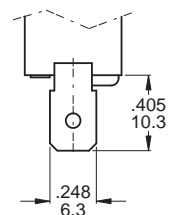
H3



H4

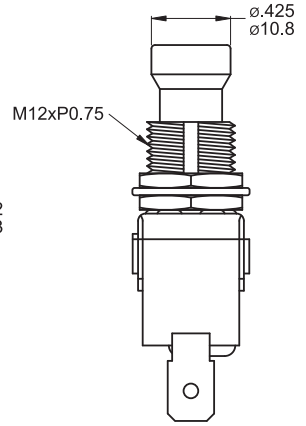
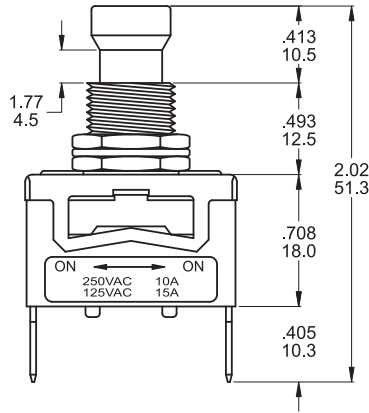
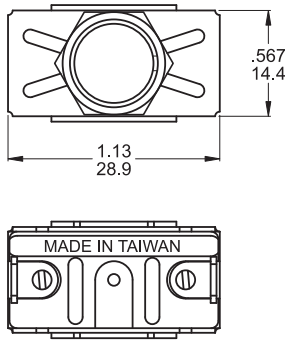


H5



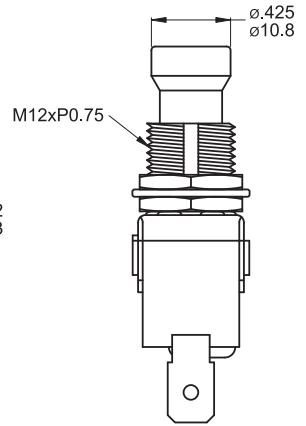
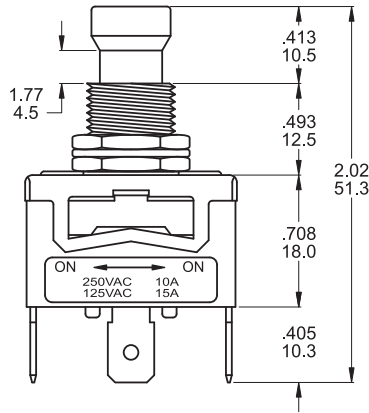
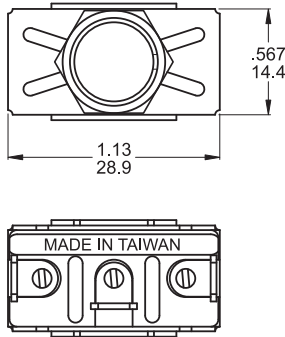


▼ POLE OPTIONS



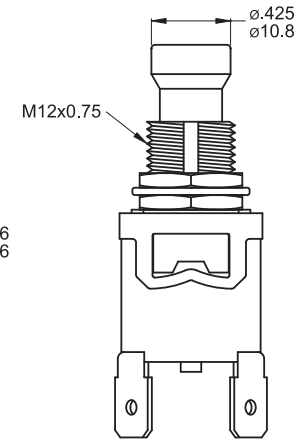
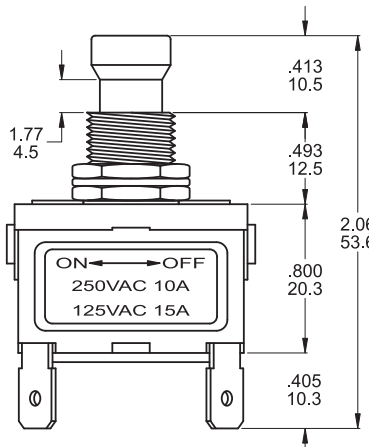
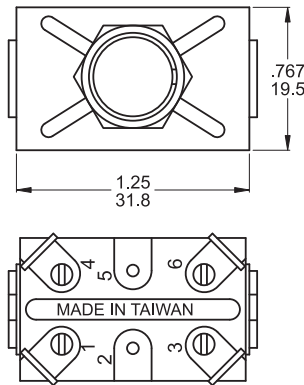
SPST

Model name. KSD-PU703-H5



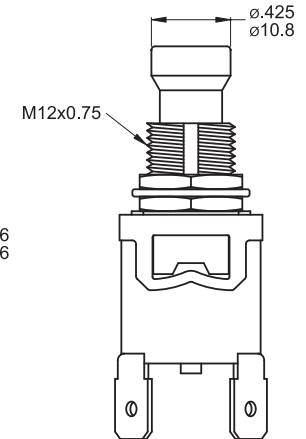
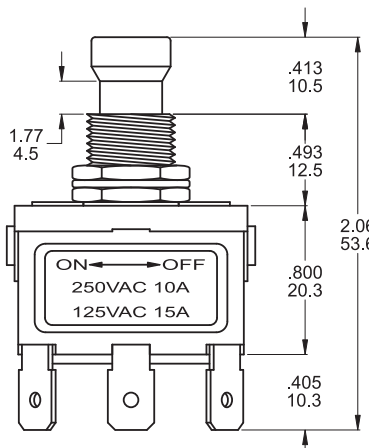
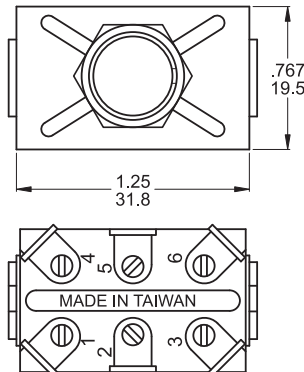
SPDT

Model name. KSD-PU704-1-H5



DPST

Model name. KSD-PU705-H5



DPDT

Model name. PU706-1-H5