



KSD

SWITCH CONNECTOR



SPECIFICATIONS

CONTACT RATING: Dependent upon contact material, see page 127.

MECHANICAL LIFE: 50,000 make-and-break cycles.

CONTACT RESISTANCE: 20 mΩ max. (initial value) @ 2-4VDC
100mA for both silver and gold plated contacts.

INSULATION RESISTANCE: 1,000 MΩ min./1000VDC

DIELECTRIC STRENGTH: 1,000 Vrms min. @sea level. (initial value)

OPERATING TEMPERATURE: -30°C to 85°C.

MATERIALS

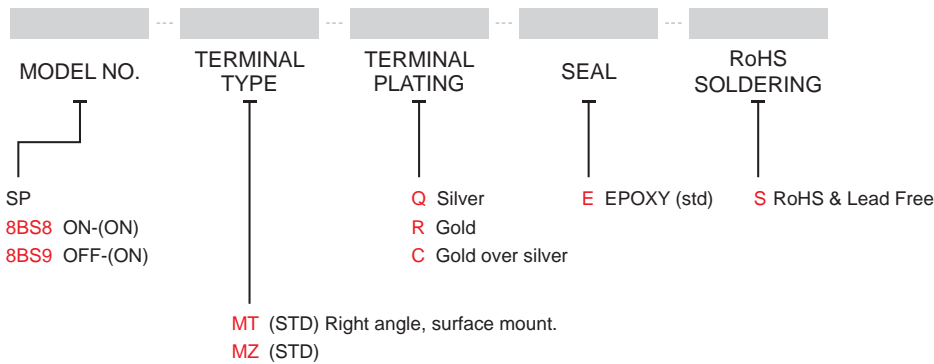
CASE & BUSHING: Glass filled nylon 6/6, flame retardant,
heat stabilized (UL94v-0).

PLUNGER: Thermoplastic polyester (UL 94V-0), internal o-ring sealed.

SWITCH SUPPORT: Brass, tin plated.

CONTACT / TERMINALS: Silver or gold plated copper.
(See page 127)

HOW TO ORDER



Note: Plunger cap options see page 118.

EXAMPLE: 8BS8M2RES



KSD-8B Series

Sealed Sub-Miniature Pushbutton Switches(SMT)



KSD-8B Pushbutton Switches

SWITCH FUNCTION

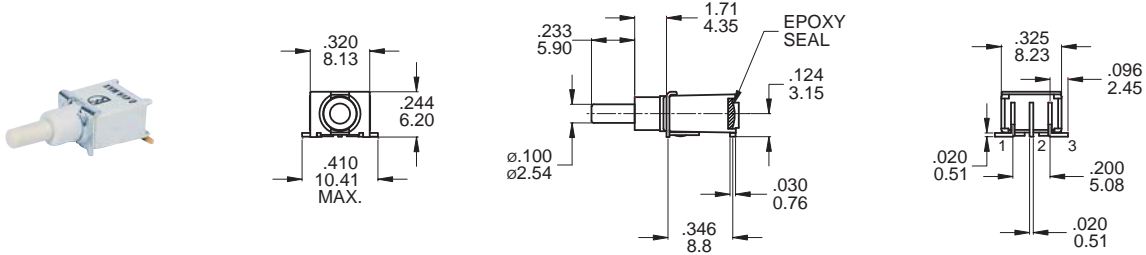
NO. POLES	UL/CSA MODEL NO.	MODEL NO.	SWITCH FUNCTION		CONNECTED TERMINALS / SCHEMATIC	
			POS.1	POS.2	POS.1	POS.2
SP	Q28B18	8BS8	ON	(ON)	2-1 NC 1 • 2 (COMM) • 3 NO	2-3 NC 1 • 2 (COMM) • 3 NO
	Q28B19	8BS9 *	OFF	(ON)	OPEN	1-3 1 1 3

()=MOMENTARY

* Omit terminal 2

POLE OPTIONS

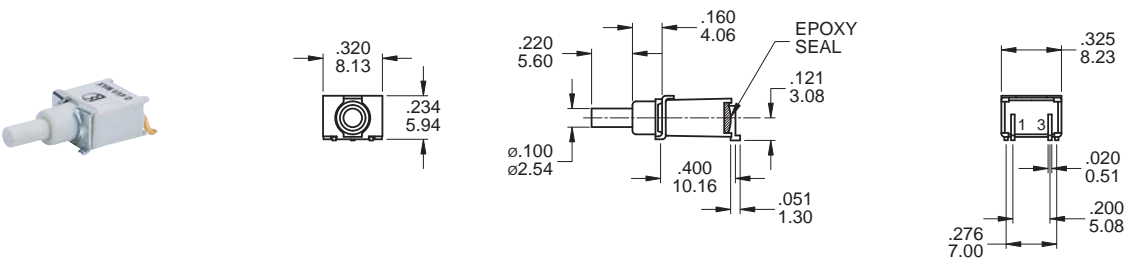
MT



SPDT

Model name. KSD-8BS8MTRES

MZ

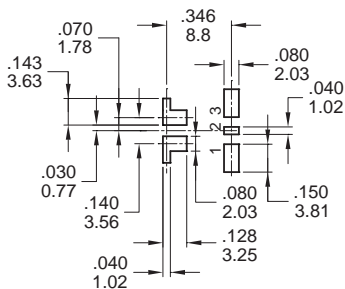


SPST

Model name. KSD-8BS9MZRES

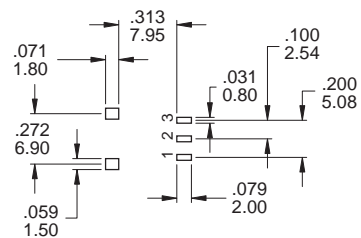
PCB MOUNTING

MT



8BS9 Models: Omit terminal 2

MZ

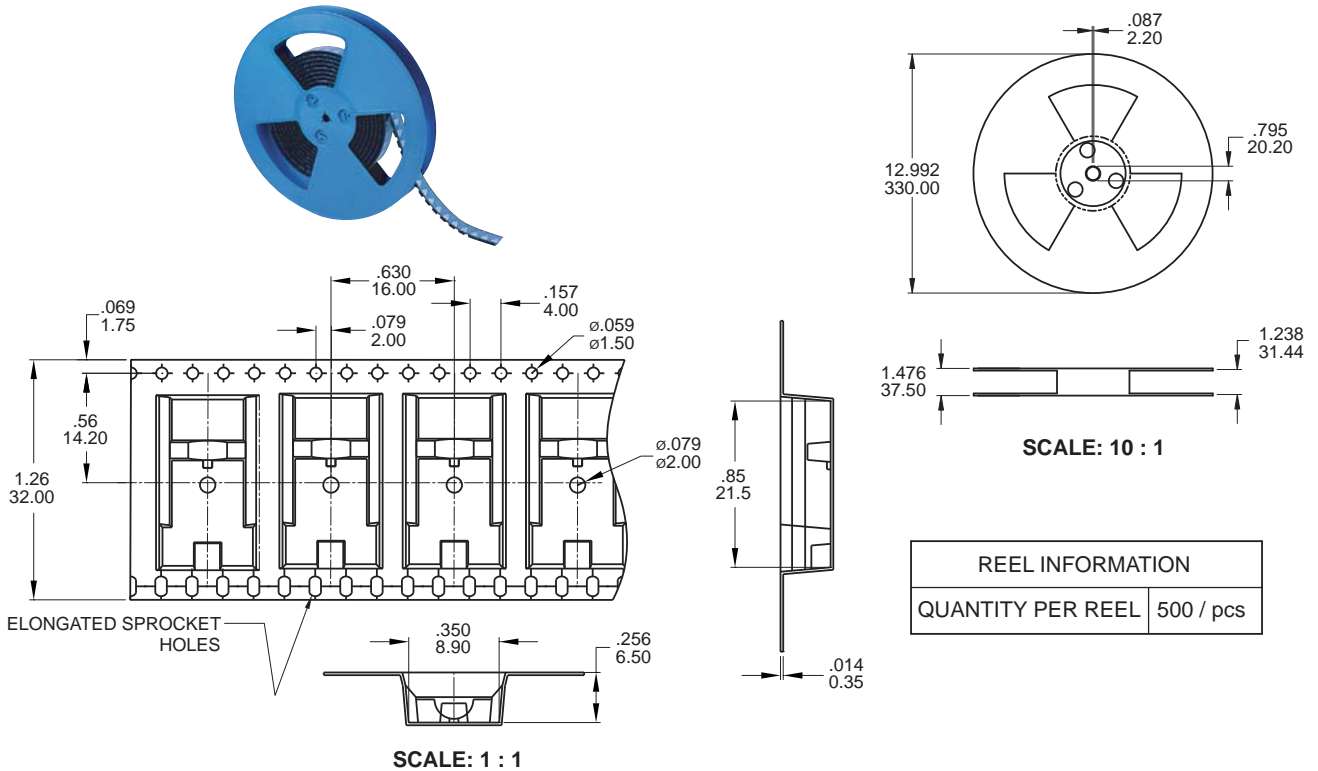


8BS9 Models: Omit terminal 2

▼ PACKAGING

Switches available on embossed antistatic tape and reels.

Tape and cover strip are conductive for use near statically sensitive components.



▼ CONTACT & TERMINAL PLATING OPTIONS

	CONTACT PLATING	TERMINAL PLATING	RATINGS
Q	Silver	Gold flash over silver	3 Amps with resistant load @ 120VAC or 28VDC 1 Amps with resistant load @ 250VAC
C	Gold over Silver	Gold over silver	
R	Gold	Gold	0.4 Volt - Amps (VA) max. @ 20V max. (AC or DC)

▼ SOLDERING PROCESS

REFLOW SOLDERING:

Recommend soldering temperature: $260 \pm 5^\circ\text{C}$

Duration of solder immersion: Max. 5 sec.

(PCB thickness is 1.6mm)

SOLDERING: Vapor phase & IR-reflow soldering can be applied.

Temperature Profile

Zone	Room Temperature	Time (Sec)
Pre-heat (A)	150°C	Min 120s
Soak (B)	150°C ~ 200°C	Min 150s
Peak (C)	200°C ~ 235°C	Min 30s
Peak (D)	235°C ~ 260°C	Min 40s
Peak (E)	260°C	Max 5s

