



KSD

SWITCH CONNECTOR

KSD-LC210
Pushbutton Switches



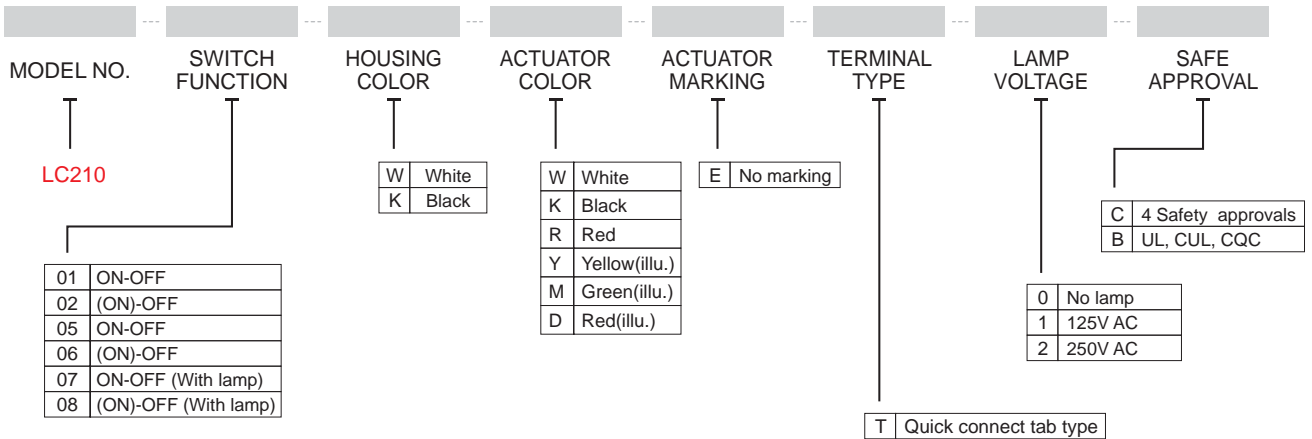
SPECIFICATIONS

- Electrical rating :** 16A 250VAC/125VAC (UL)
10(4)A 250VAC (VDE, ENEC)
- Mechanical life:** Over 30000 cycles
- Electrical life:** Over 10000 cycles
- Contact resistance:** < 20mΩ
- Insulation resistance:** > 1000MΩ
- High voltage resistance:** > 1500V 1 min.
- Ambient temperature:** Terminal side -20°C to +85°C
Actuating side -20°C to +55°C
- Storage temperature:** -30°C to +85°C Max
- Atmospheric humidity:** Max.85%
- Actuating force:** 3~8N (depends on different switch function)
- Flammability:** UL94 V-2
- Temperature rise at the terminal:** Max 30°C (UL1054)
- Solder ability of terminal:** Max 350°C, 3s



MATERIALS

- Housing:** PA 66
- Rocker:** PC/PA66
- Contacts:** Silver alloy
- Terminal:** Brass silver platrd
- Spring:** SWC
- Movable arm:** C2680
- Bracket:** PA66

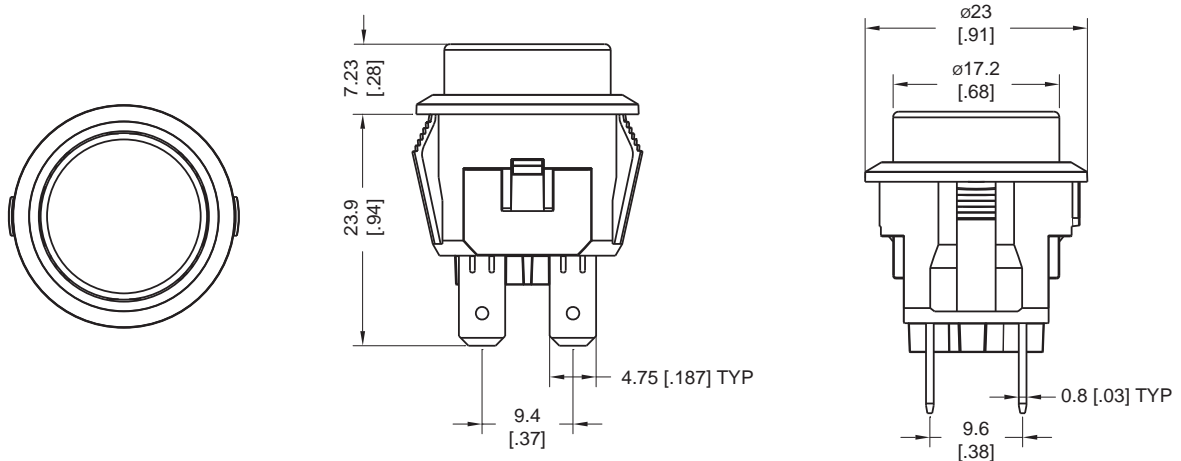
HOW TO ORDER



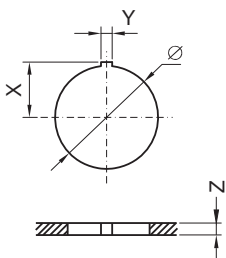
▼ OPTIONS OF SWITCH FUNCTION

Item No	POLES & THROWS	Down	Center	Up
				
LC2101	SPST	ON	None	OFF
LC2102	SPST	(ON)	None	OFF
LC2105	DPST	ON	None	OFF
LC2106	DPST	(ON)	None	OFF
LC2107	DPST(with lamp)	ON	None	OFF
LC2108	DPST(with lamp)	(ON)	None	OFF

▼ DIMENSION



▼ PANEL CUT OUT



PANEL CUT OUT			
Z	Y	X	∅
0.7~1.25	2	11	∅20.5
1.25~2.0	2	11	∅20.5
2.0~3.0	2	11	∅20.5

▼ CIRCUITS FOR SWITCH WITH LAMP

