

KSD

SWITCH CONNECTOR



SPECIFICATIONS

- FUNCTION:** Momentary action.
- MECHANICAL LIFE:** 100,000 make-and-break cycles.
- ELECTRICAL LIFE:** 50,000 cycles.
- CONTACT RESISTANCE:** 200 mΩ max. (initial value)
@ 2-4VDC 100mA
- CONTACT RATING:** 0.4Volt-Amps(VA) max. @20V max(AC or DC)
- OPERATING POSITION:** 0.65±0.2mm.
- OPERATING FORCE:** 630±130gf.
- INSULATION RESISTANCE:** 100 MΩ min.
- DIELECTRIC STRENGTH:** 1,000 V RMS@sea level.(initial value)
- OPERATING TEMPERATURE:** -30°C to 85°C.
- TORQUE:** 2.2 Nm max.

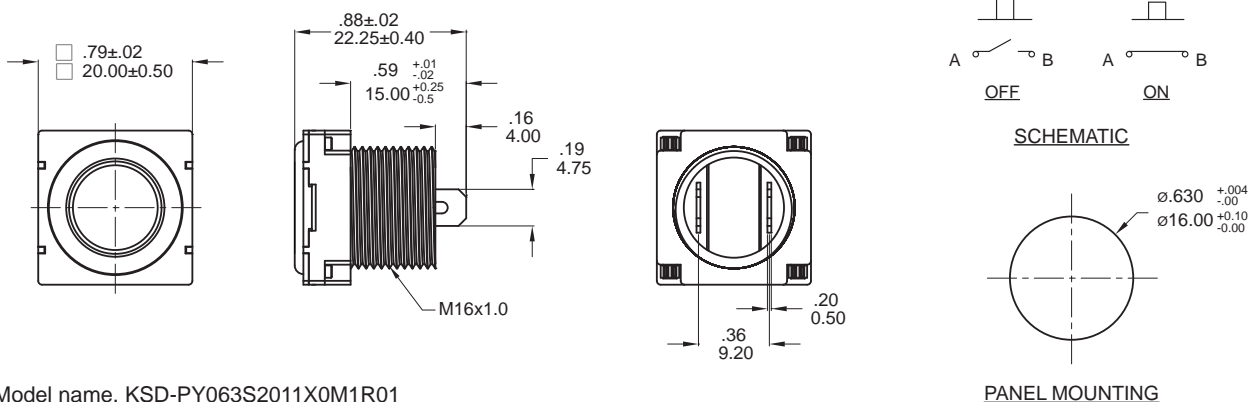
MATERIAL

- HOUSING & BUSHING:** Nylon 6/6.
- BUTTON:** Stainless steel.
- ACTUATOR:** Silicon.
- CONTACT / TERMINALS:** Copper with gold plated.

HOW TO ORDER

MODEL NO.	FORCE	HOUSING	HOUSING SIZE	BUSHING	COVER	TERMINAL TYPE	CONTACT PLATING	ADDITIONAL HARDWARE
PY OFF-ON	063 630±130gf.	S Square	20 20mm	11 11mm	X0 NO	M1 Solder Lug(std)	R Gold	01 Standard hardware

▼ DIMENSION

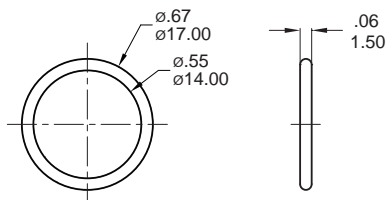


▼ HARDWARE

- * Standard hardware : 1 nut, 1 O-ring
- * For further information please consult sales representativity.

O-RING (Std.)

Model name. FCP-PY02



NUT (Std.)

Model name. MNU-PY01

