



KSD

SWITCH CONNECTOR



SPECIFICATIONS

RATING : 5-24V / 1A DC

OPERATING LIFE : 50 Million cycles min.

CONTACT RESISTANCE : 1Ω MAX.

OPERATING TEMPERATURE: -20°C to 65°C.

MATERIALS

BUSHING: Aluminum alloy / Stainless steel.

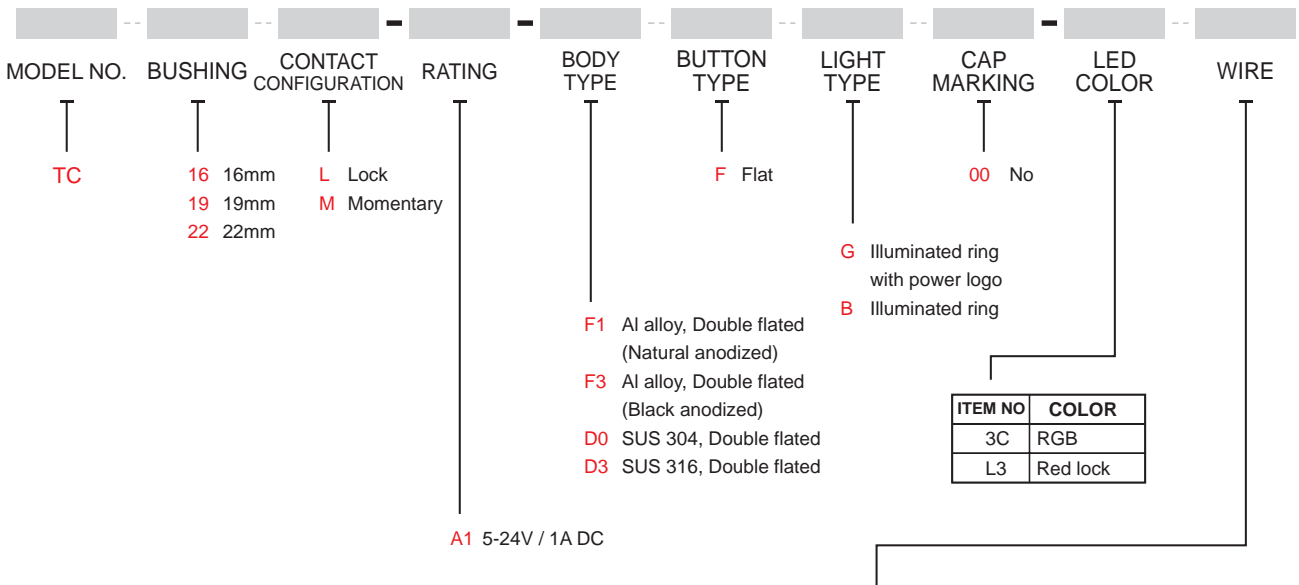
CAP : PC ; Aluminum alloy / Stainless steel.

SEALING : Silicone, EPOXY.

O-RING: Silicone.

HEX NUT : Nickel plated brass.

HOW TO ORDER



Available with TC16 model only

- D201 26AWG 150mm+2.54 2x3 Connector (std)
- D202 26AWG 300mm+2.54 2x3 Connector

Available with TC19 / TC22 model only

- D101 26AWG 150mm+2.54 1x6 Connector (std)
- D102 26AWG 300mm+2.54 1x6 Connector

Note: Please consult sales for additional wire options.

EXAMPLE:

TC16L-A1-□F□00-3CD201(STD)

Light options
Body options

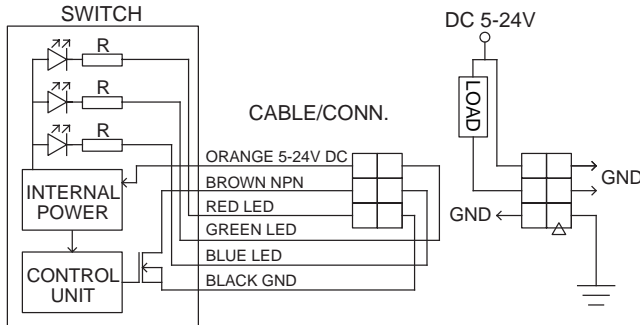
TC19L-A1-□F□00-3CD101(STD)

Light options
Body options

▼ CIRCUIT

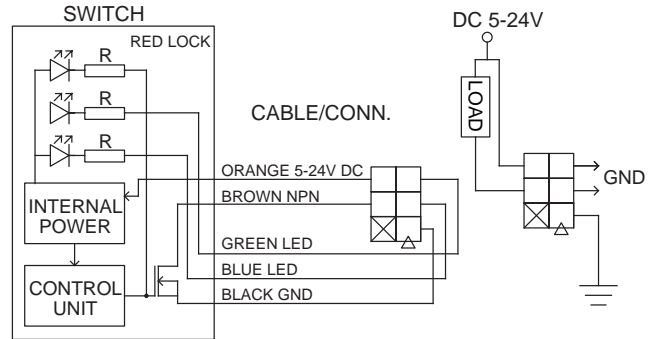
3C RGB LED application diagram

Available with TC16 model only



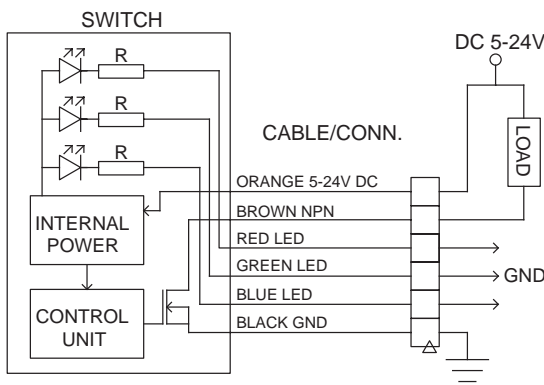
L3 Red LED application diagram

Available with TC16 model only



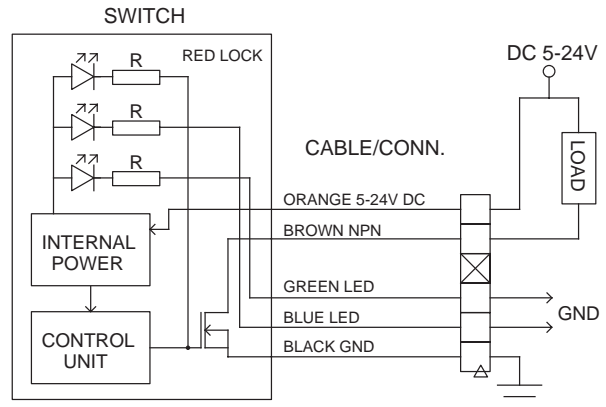
3C RGB LED application diagram

Available with TC19 and TC22 model only



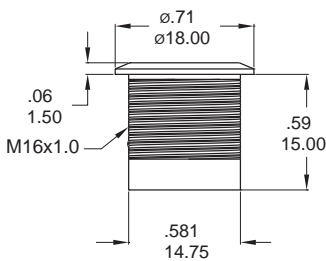
L3 Red LED application diagram

Available with TC19 and TC22 model only

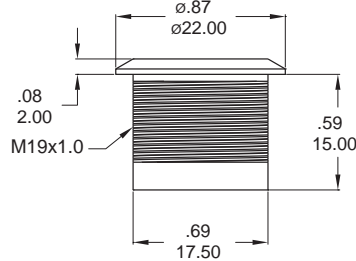


▼ BUSHING OPTIONS

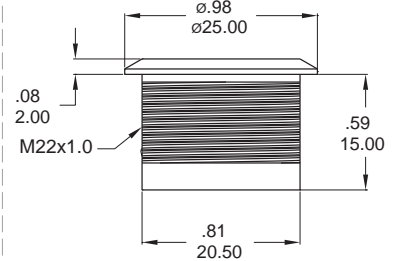
16 16mm



19 19mm

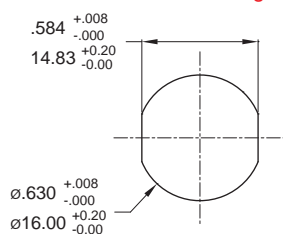


22 22mm

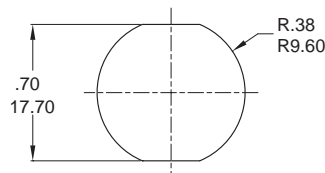


▼ PANEL MOUNTING

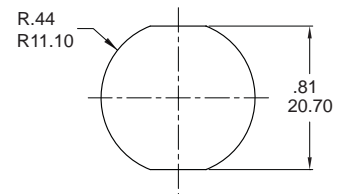
16mm Bushing



19mm Bushing



22mm Bushing



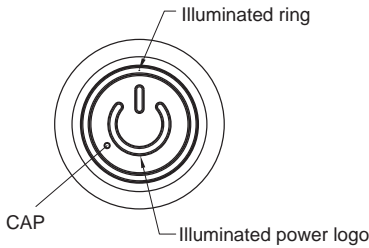
Panel thickness: .315inch(8.0mm) MAX.

Panel thickness: .394inch(10.0mm) MAX.

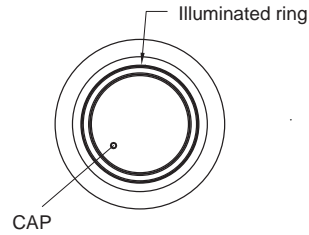


▼ LIGHT OPTIONS

G Illuminated Ring with Power logo

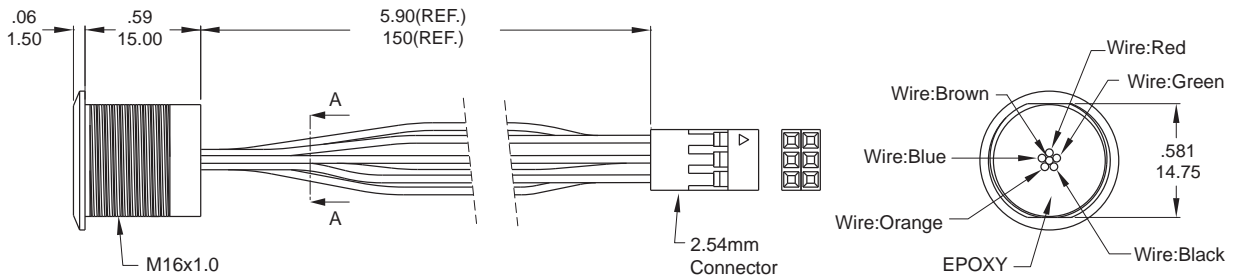


B Illuminated Ring



▼ WIRE

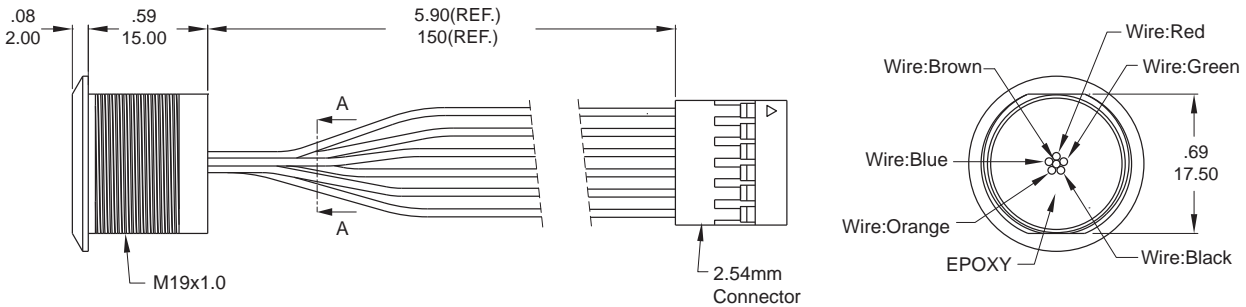
KSD-TC16 Wire leads 26 AWG



Section drawing for A-A.

Model name. KSD-TC16M-A1-F1FG00-3CD201

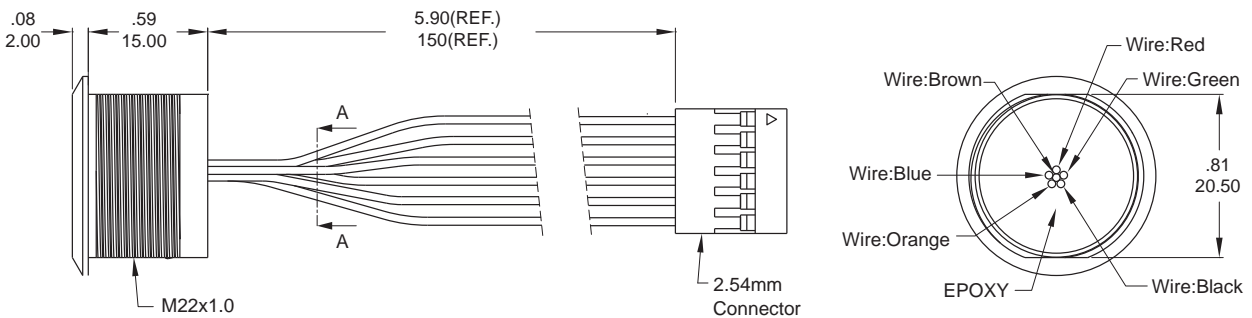
KSD-TC19 Wire leads 26 AWG



Section drawing for A-A.

Model name. KSD-TC19M-A1-F1FG00-3CD101

KSD-TC22 Wire leads 26 AWG



Section drawing for A-A.

Model name. TC22M-A1-F1FG00-3CD101