



KSD

SWITCH CONNECTOR



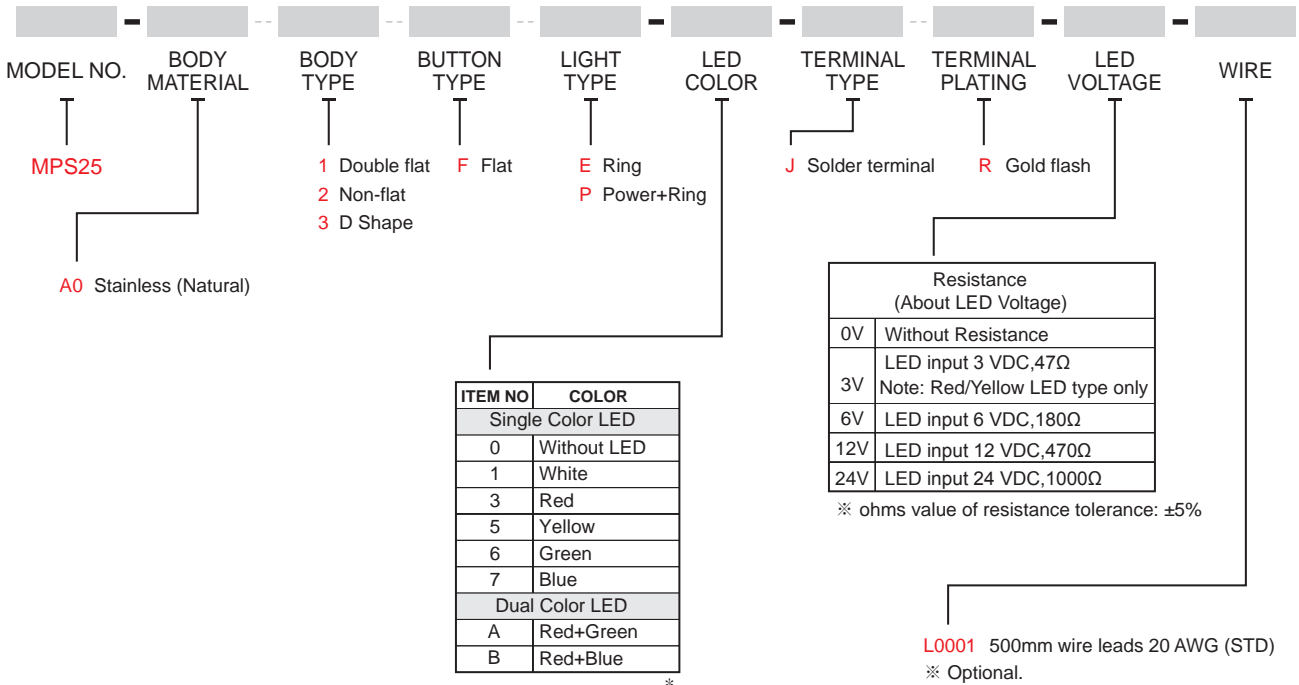
SPECIFICATIONS

- RATING :** 2A/36VDC
- ELECTRICAL LIFE:** 200,000 make-and-break cycles at full load.
- MECHANICAL LIFE:** 1,000,000 cycles.
- DIELECTRIC STRENGTH:** 2,000V RMS@sea level
- CONTACT RESISTANCE:** 50mΩ MAX.@1A 12VDC(initial value)
- OPERATING TEMPERATURE:** -20°C to 70°C
- TRAVEL:** ABOUT 1.8mm
- OPERATION PRESSURE:** 4.5±1.5N
- INGRESS PROTECTION:** IP67(In house test), IK10(Stainless)
- TORQUE:** 1~3Nm

MATERIALS

- BUSHING :** Stainless Steel
- BASE :** PA66, White UL-94V0
- ACTUATOR :** PC, Translucent UL-94V2, Stainless Steel
- INNER ASSEMBLY :** PC, Transparent UL-94V2
- SPRING :** Spring steel
- SEALING :** Silicone, Translucent
- O-Ring :** Silicone
- TERMINAL :** Brass, Gold flash plated
- CONTACT :** Brass, Sliver alloy
- HEX NUT :** Brass, Nickel plated

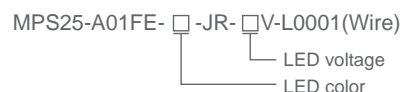
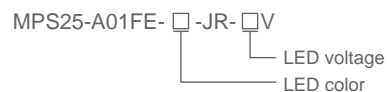
HOW TO ORDER



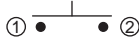
* Current limiting resistor is required to limit LED forward current to 20mA.

* Except standard color, for other colors information please consult sales representativity.

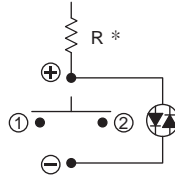
EXAMPLE:



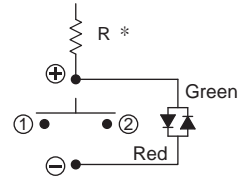
▼ CIRCUIT



Without LED



Single Color LED

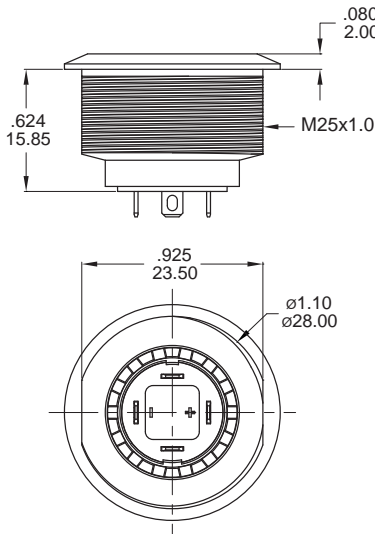


Dual Color LED

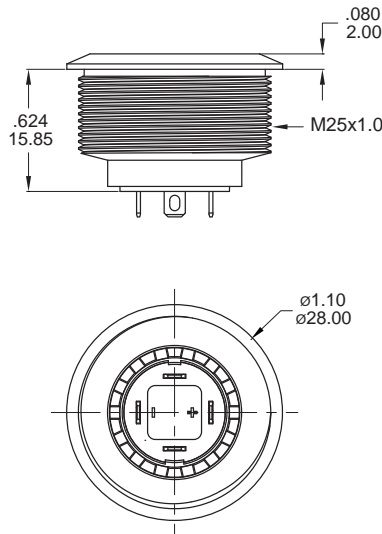
* Note: Adjust the resistance according to the input voltage.

▼ BODY OPTIONS

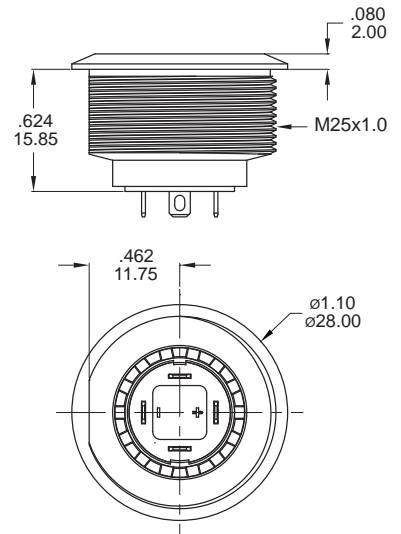
1 Double flat



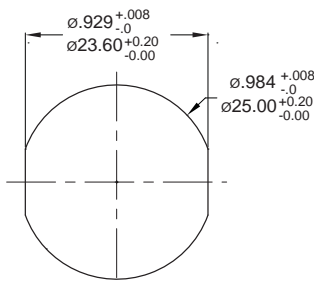
2 Non-flat



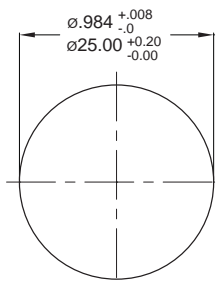
3 D Shape



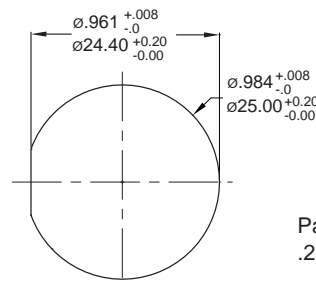
▼ PANEL MOUNTING



Double flat



Non-flat

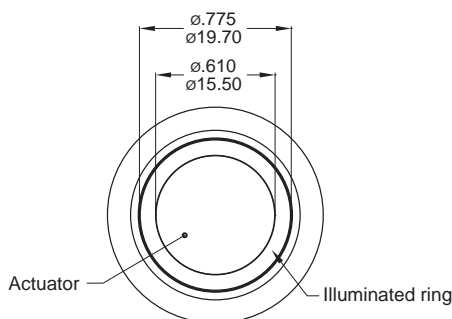


D Shape

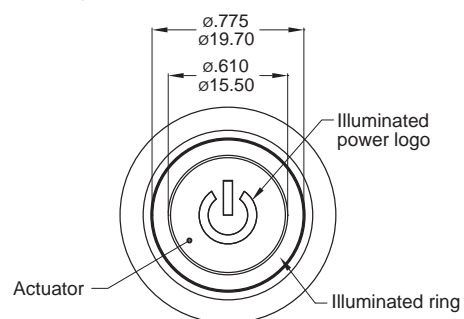
Panel thickness:
.236inch(6.0 mm) MAX.

▼ LIGHT OPTIONS

E Ring



P Power+Ring





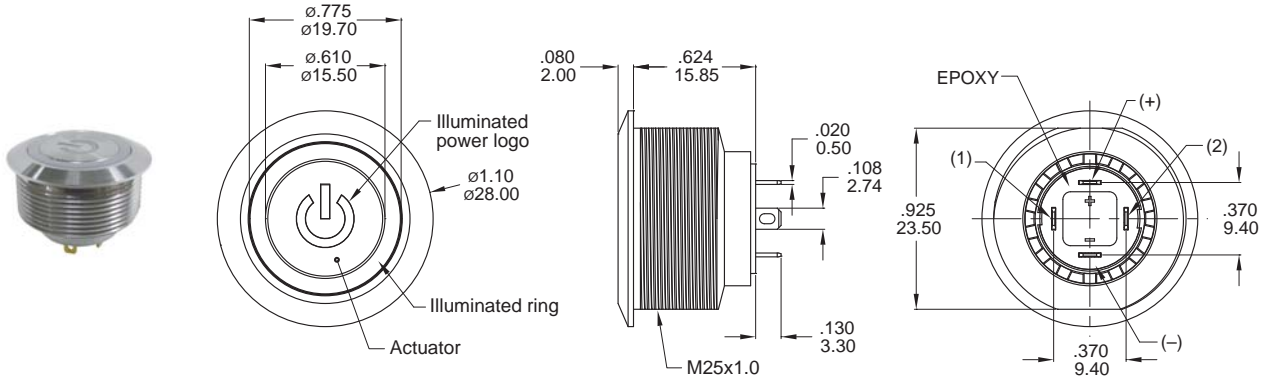
KSD-MPS25 Series

25mm Short Metal Pushbutton Switches



KSD-MPS25
Pushbutton Switches

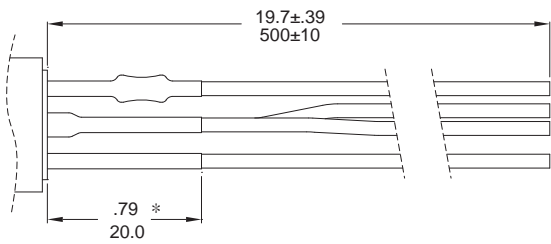
▼ DIMENSION



Model name: KSD-MPS25-A01FP-1-JR-12V

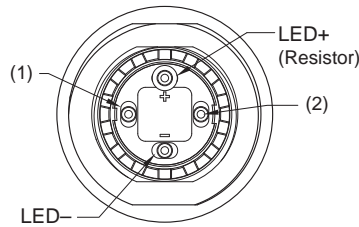
▼ WIRE

L0001 500mm wire leads 20 AWG



Heat shrink tube

* No external resistance heat shrink sleeve .39inch(10mm).



Wires:

Black wire - Terminal

Red wire - LED (+) Positive

Green wire - LED (-) Negative

* No Illumination: Black Wire - Terminal

* Please consult sales for additional wire options.

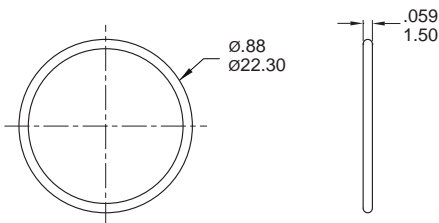
▼ HARDWARE

* Standard hardware : 1 nut, 1 O-ring

* For further information please consult sales representativity.

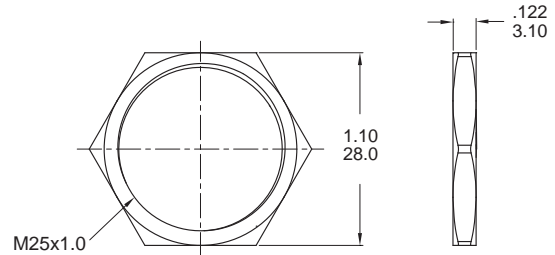
O-RING (Std.)

Model name: FCP-MPB25



NUT (Std.)

Model name: MNU-MPB03



▼ O-RING INSTALLATION

