



# KSD-R6 Series

Rocker Switches



KSD-R6  
Rocker Switches

## KSD SWITCH CONNECTOR



### SPECIFICATIONS

**Electrical rating :** 6A 250VAC/10A 125VAC (UL)  
4(1)A 250VAC (VDE)

**Mechanical life:** Over 30000 cycles

**Electrical life:** Over 10000 cycles

**Contact resistance:** < 20mΩ

**Insulation resistance:** > 1000MΩ

**High voltage resistance:** > 1500V 1 min.

**Ambient temperature:** Terminal side -20°C to +85°C  
Actuating side -20°C to +55°C

**Storage temperature:** -30°C to +85°C Max

**Atmospheric humidity:** Max.85%

**Actuating force:** 4N

**Flammability:** UL94 V-2

**Temperature rise at the terminal:** Max 30°C (UL1054)

**Solder ability of terminal:** Max 350°C, 3s

### MATERIALS

**Housing:** PA 66

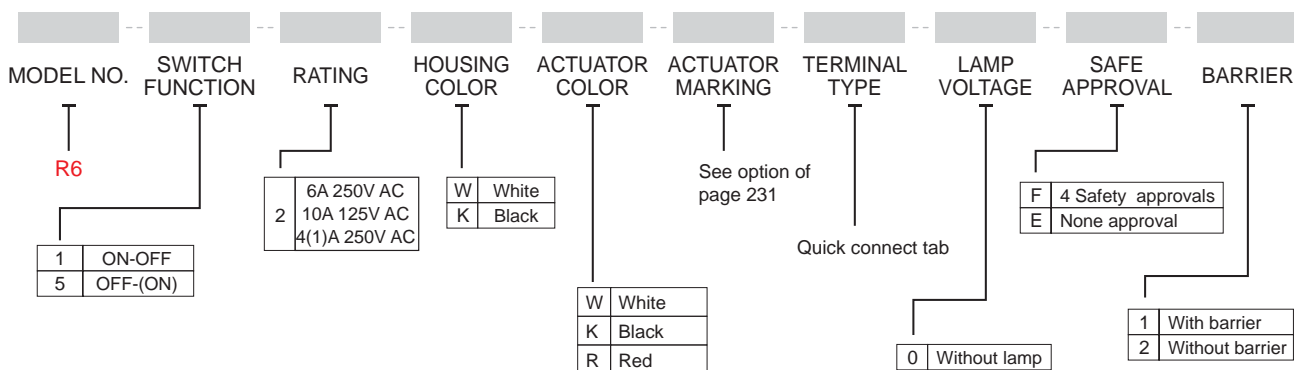
**Rocker:** PA66

**Contacts:** Silver alloy

**Terminal:** Brass silver platrđ

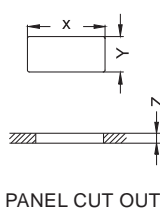
**Movable arm:** Copper silver plated

### HOW TO ORDER

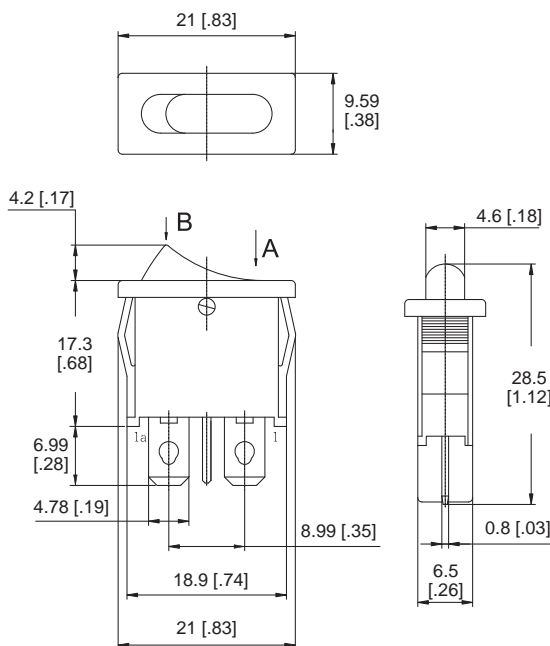


### ▼ OPTIONS OF SWITCH FUNCTION & DIMENSION

Item NO	POLES & THROWS	Rocker position ( ): Momentary		
		Left	Center	Right
R61	SPST	ON	None	OFF
R65	SPST	(ON)	None	OFF



Z	Y	X
0.70~1.25	6.65~6.75	19.20~19.30
1.25~2.00	6.65~6.75	19.25~19.35
2.00~3.00	6.65~6.75	19.30~19.40



## ▼ FOR ROCKER SWITCHES

A	B	C	D	E	F	G	H	I
J	K	L	M	N	O	P	Q	S
T	U	V	W	X	Y	Z	1A	1B
1C	1D	1E	1F	1G	1H	1I	1J	1K
1L	1M	1N	1O	1P	1Q	1R	1S	1T
1U	1V	1W	1Y	1Z	2A	2B	2C	2D
2E	2F	2G	2H	2I	2J	2K		