



KSD

SWITCH CONNECTOR



SPECIFICATIONS

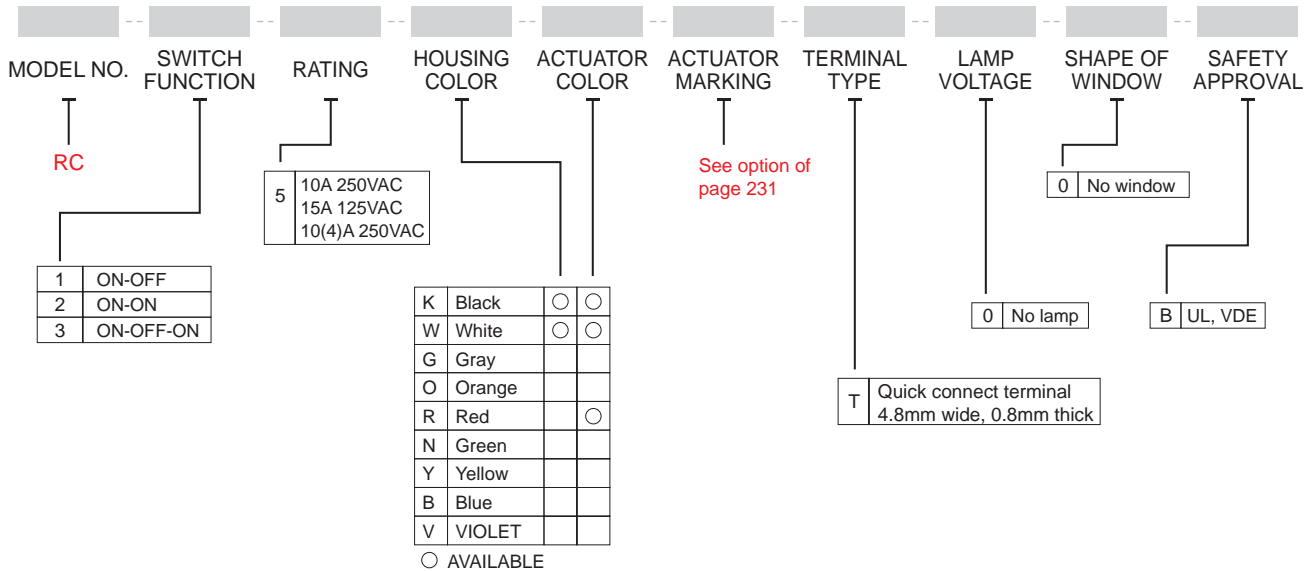
- Electrical rating :** 10A 250VAC/15A 125VAC (UL)
10(4)A 250VAC (VDE)
- Mechanical life:** Over 30000 cycles
- Electrical life:** Over 10000 cycles
- Contact resistance:** < 20mΩ
- Insulation resistance:** > 1000MΩ
- High voltage resistance:** > 1500VAC 1 min.
- Ambient temperature:** Terminal side -20°C to +85°C
Actuating side -20°C to +55°C
- Atmospheric humidity:** Max.85%
- Actuating force:** 3 to 6N (depends on different switch function)
- Flammability:** UL94V-2 & UL94V-0
- Storage temperature:** -30°C to +80°C Max
- Temperature rise at the terminal:** 30°C (UL1054)
- Solder ability of terminal:** Max 350°C, 3s

MATERIALS

- Housing:** PA 66
- Rocker:** PA66 & PC
- Contacts:** Silver alloy
- Terminal:** Copper or brass silver plated
- Spring:** SWP
- Movable arm:** Copper silver plated
- Lamp:** Neon lamp, Tungsten lamp, LED
- Bracket:** PA66

KSD-RC
Rocker Switches

HOW TO ORDER



NOTE: ORDERING PROCEDURE(PART I): NON-ILLUMINATED



KSD-RC
Rocker Switches

HOW TO ORDER

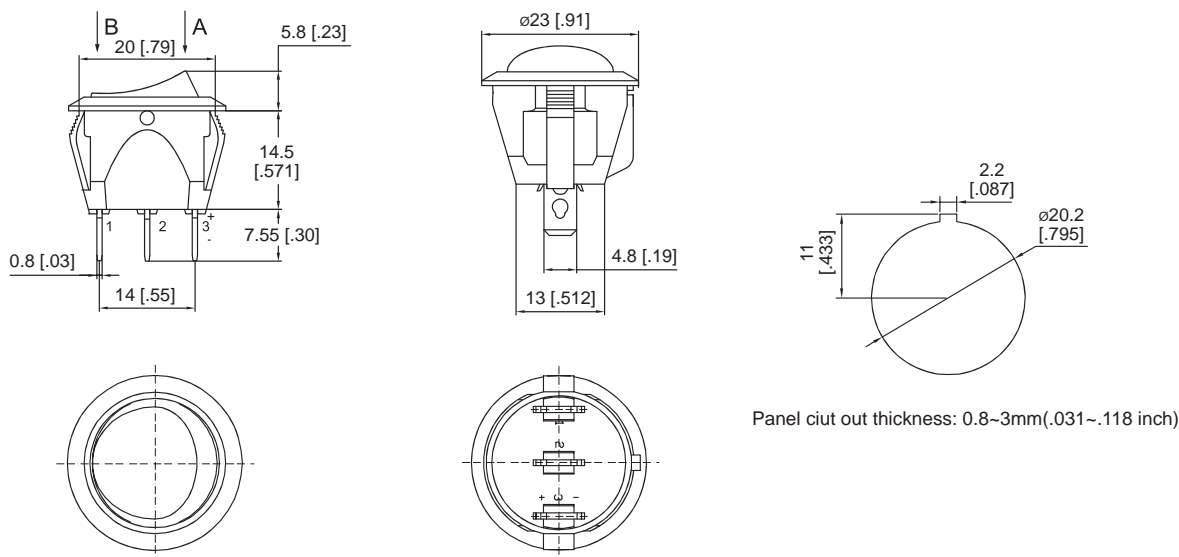
MODEL NO.	SWITCH FUNCTION	RATING	HOUSING COLOR	ACTUATOR COLOR	COLOR OF WINDOW	ACTUATOR MARKING	TERMINAL TYPE	LAMP VOLTAGE	SHAPE OF WINDOW	COLOR OF LAMP	SAFETY APPROVAL
RC	1 ON-OFF (LIGHTED)	5 10A 250VAC 15A 125VAC 10(4)A 250VAC	K Black W White G Gray O Orange R Red N Green Y Yellow B Blue V VIOLET D Red(illu.) M Green(illu.) Y Yellow(illu.) F Blue(illu.)		E No window D Red(illu.) M Green(illu.) Y Yellow(illu.) F Blue(illu.)	See option of page 231	T Quick connect terminal 4.8mm wide, 0.8mm thick	1 None lamp (125VAC) 2 None lamp (250VAC) L LED	L Ellipse (for LED lamp) C Round (for neon or tungsten lamp) E No window (for neon or tungsten lamp)		B UL, VDE

○ AVAILABLE

N	Transparent neon lamp
F	Green fluorescent neon lamp
B	Blue fluorescent neon lamp
R	Red LED lamp
M	Green LED lamp
Y	Yellow LED lamp

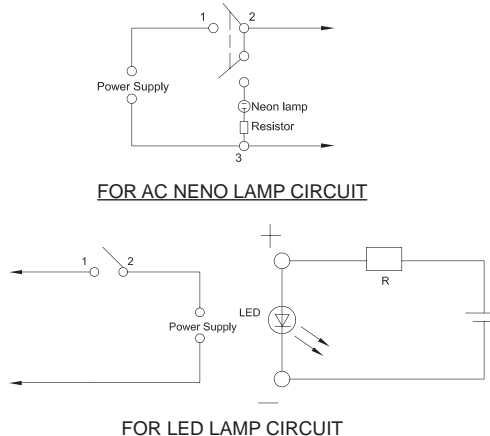
NOTE: ORDERING PROCEDURE(PART II): ILLUMINATED

▼ DIMENSION & PANEL CUT OUT



▼ OPTIONS OF SWITCH FUNCTION & LAMP CIRCUIT

Item NO	POLES & THROWS	Rocker position (): Momentary		
		Left	Center	Right
RC1	SPST	ON	None	OFF
RC2	SPDT	ON	None	ON
RC3	SPDT	ON	OFF	ON
RC9	SPST (With LED)	ON	None	OFF



▼ FOR ROCKER SWITCHES

A	B	C	D	E	F	G	H	I
J	K	L	M	N	O	P	Q	S
T	U	V	W	X	Y	Z	1A	1B
1C	1D	1E	1F	1G	1H	1I	1J	1K
1L	1M	1N	1O	1P	1Q	1R	1S	1T
1U	1V	1W	1Y	1Z	2A	2B	2C	2D
2E	2F	2G	2H	2I	2J	2K		