



# KSD

SWITCH CONNECTOR



### SPECIFICATIONS

**Electrical rating :** 20A 125VAC/16A 250VAC (UL)  
16A 250VAC (VDE)

**Mechanical life:** Over 30000 cycles

**Electrical life:** Over 10000 cycles

**Contact resistance:** < 20mΩ

**Insulation resistance:** > 1000MΩ

**High voltage resistance:** > 1500V 1 min.

**Ambient temperature:** Terminal side -20°C to 85°C

Actuating side -20°C to 55°C

**Storage temperature:** -30°C to 80°C Max

**Atmospheric humidity:** Max.85%

**Actuating force:** 4~8N (depends on different switch function)

**Flammability:** UL94 V-2

**Temperature rise at the terminal:** Max 30°C (UL1054)

**Solder ability of terminal:** Max 350°C, 3s

### MATERIALS

**Housing:** Nylon 66

**Rocker:** PC & PA66

**Contacts:** Silver alloy

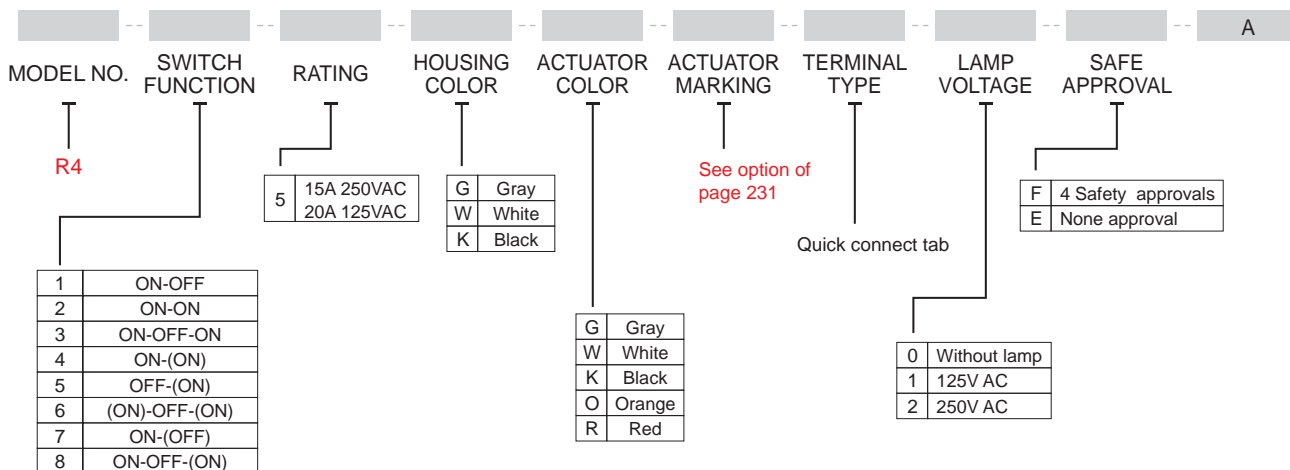
**Terminal:** Brass silver plated

**Lamp:** Neon lamp, Tungsten lamp

**Spring:** SWP, SUS

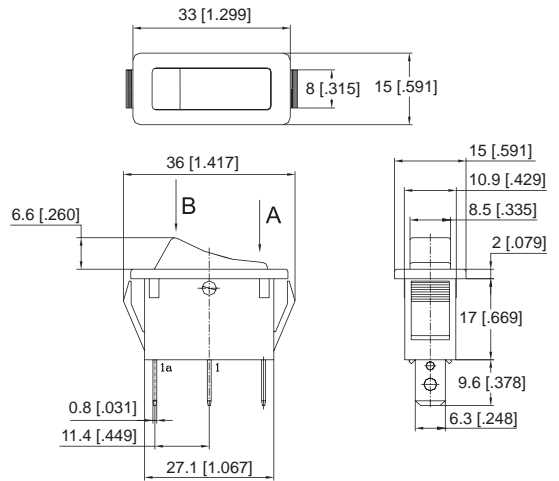
**Movable arm:** Brass silver plated

## HOW TO ORDER

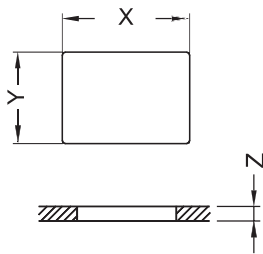


### ▼ OPTIONS OF SWITCH FUNCTION & DIMENSION

Item NO	POLES & THROWS	Rocker position ( ): Momentary		
		Left	Center	Right
R41	SPST	ON	None	OFF
R42	SPDT	ON	None	ON
R43	SPDT	ON	OFF	ON
R44	SPDT	ON	None	(ON)
R45	SPST	OFF	None	(ON)
R46	SPDT	(ON)	OFF	(ON)
R47	SPST	ON	None	(OFF)
R48	SPDT	ON	OFF	(ON)



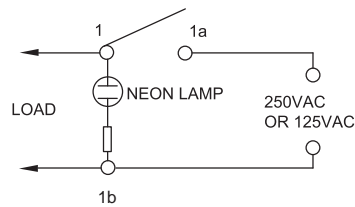
### ▼ PANEL CUT OUT



Z	Y	X
0.70~1.25	11.10~11.20	29.60~29.70
1.25~2.00	11.10~11.20	30.10~30.20
2.00~3.00	11.10~11.20	30.45~30.55

### ▼ CIRCUITS FOR SWITCH WITH LAMP

For circuit of 250V AC or 125V AC





## ▼ FOR ROCKER SWITCHES

Actuator Marking  
Rocker Switches

A	B	C	D	E	F	G	H	I
J	K	L	M	N	O	P	Q	S
T	U	V	W	X	Y	Z	1A	1B
1C	1D	1E	1F	1G	1H	1I	1J	1K
1L	1M	1N	1O	1P	1Q	1R	1S	1T
1U	1V	1W	1Y	1Z	2A	2B	2C	2D
2E	2F	2G	2H	2I	2J	2K		