



KSD

SWITCH CONNECTOR



SPECIFICATIONS

CIRCUIT: SPST

FUNCTION: Momentary

RATING: 50 mA 12V DC.

OPERATING FORCE: 350 gf ±100gf.

TOTAL TRAVEL: 0.25mm ± 0.10mm

MECHANICAL LIFE: 100,000 make-and-break cycles.

CONTACT RESISTANCE: 100mΩ max. (initial value)

INSULATION RESISTANCE: 100MΩ min/500VDC.

DIELECTRIC STRENGTH: 250 V RMS @ sea level. (initial value)

OPERATING TEMPERATURE: -25°C to 70°C.

INGRESS PROTECTION: IP67(In house test)

MATERIALS

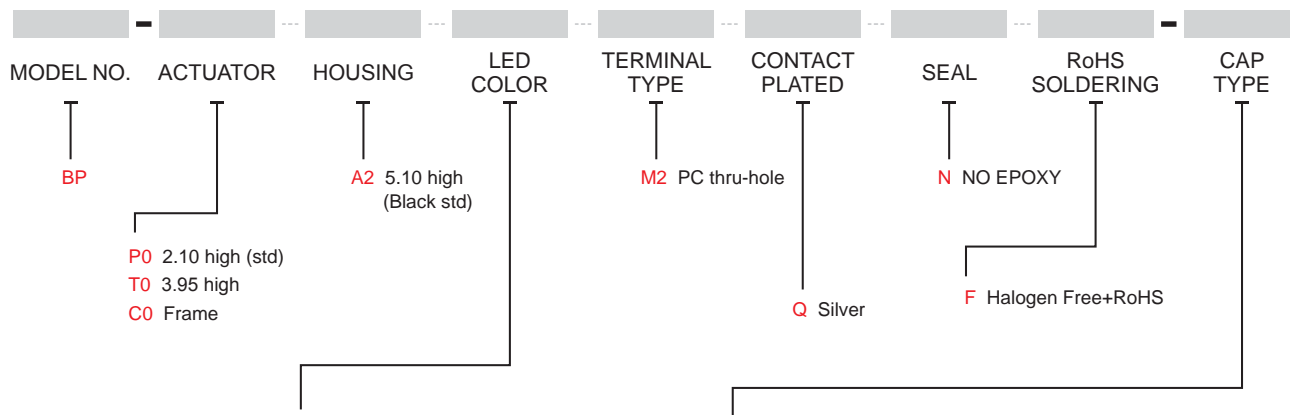
CASE: Glass filled Nylon 6/6(UL 94-V0).

HOUSING: Glass filled Nylon 6/6(UL 94-V0).

ACTUATOR: PC.

TERMINAL/CONTACT: Brass, Silver plated.

HOW TO ORDER



ITEM NO	COLOR
L0	Without LED
L1	White
L3	Red
L5	Yellow
L6	Green
L7	Blue

CAP				
DIMENSION	 □ 7.4 1.5	 □ 7.4 1.5	 □ 7.4 6.0 7.1	 □ 7.4 6.0 7.1
COLOR	CAP CODE			
Transparent with diffuser	—	BF	—	—
Transparent	—	BA	—	—
Ice	—	—	CB	DB
Snow	—	—	—	CC
White	AD	BD	—	—

Note: For actuator type T0 only.

※Optional

* For other colors information please consult sales representativity.

EXAMPLE:

BP-P0A2□M2QNF(STD)

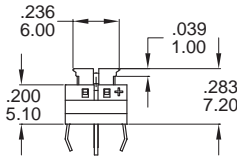
— LED color

BP-T0A2□M2QNF-□

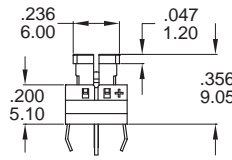
— CAP options
— LED color

▼ ACTUATOR OPTIONS

P0 Transparent actuation (STD)

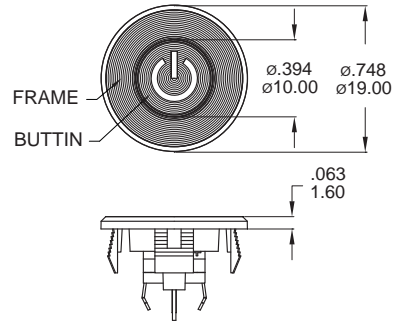


T0 Transparent actuation

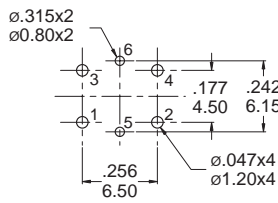
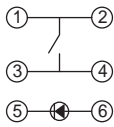


Note: Options for with caps.

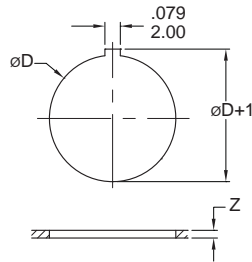
C0 Frame



▼ CIRCUIT & PANEL MOUNTING



PCB MOUNTING



Panel thickness:

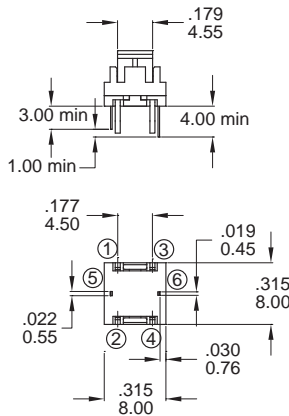
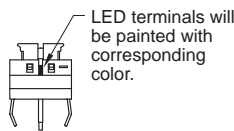
Z	øD
0~0.5	16.0~16.1
0.5~2.0	16.1~16.2
2.0~2.5	16.2~16.4
2.5~3.0	16.4~16.6
3.0~3.5	16.6~16.8

Units: mm

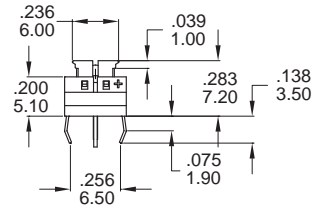
FRAME ACTUATOR

▼ DIMENSION

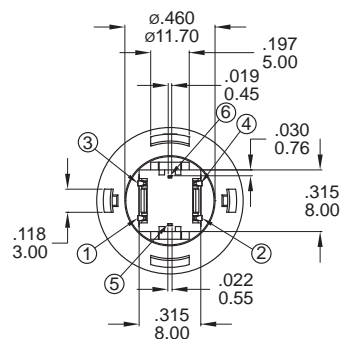
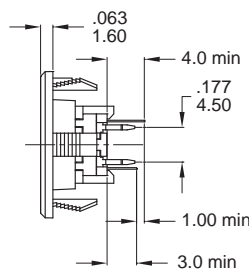
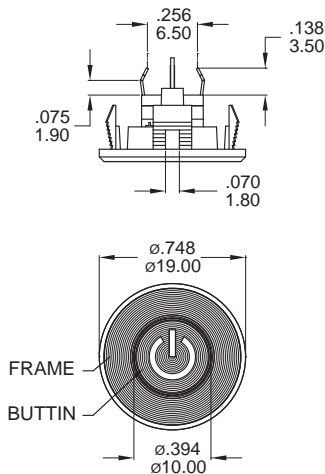
P0



Model name. KSD-BP-P0A2L3M2QNF



C0



Model name. KSD-BP-C0A2L3M2QNF