

Features/Benefits

- Detect interlock and movement
- Different lever options
- Various operating forces
- Extended mechanical life
- UL approval on some designs
- Customization available
- RoHS compatible and compliant

Typical Applications

- Office equipment
- Consumer electronics
- Appliances
- Audio & visual equipment
- Medical
- Industrial meters



Specifications

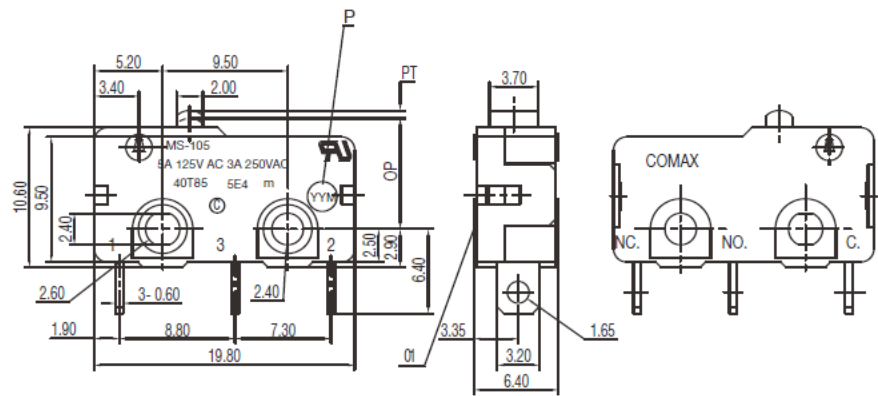
CONTACT ARRANGEMENT: SPDT
 CONTACT RATING: 5 A @ 125 VAC / 3 A @ 250 VAC
 OPERATING LIFE: 1,000,000 cycles without load
 6,000 cycles with load UL
 INITIAL CONTACT RESISTANCE: 100 mΩ max.
 INSULATION RESISTANCE: 100 MΩ min. @ 500 VDC
 DIELECTRIC STRENGTH: 1000 VAC (50-60 Hz)
 OPERATING TEMPERATURE: -40°C to + 85°C
 OPERATING FORCE: 130 ± 30 gf
 PRE-TRAVEL (PT): 0.6 mm max.
 OVERTRAVEL: 0.5 mm max.
 OPERATING POSITION (OP): 8.40 ± 0.40 mm

Materials

COVER: PBT (UL94V-0)
 HOUSING: PBT (UL94V-0)
 KNOB: PBT (UL94V-0)
 TERMINALS: Silver plated

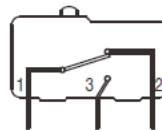
NOTE: Specifications and materials listed above are for switches with standard options. For information on specific and custom switches, consult Customer Service Center.

| |
|------------------|
| PART NUMBER |
| MS-105A01 |



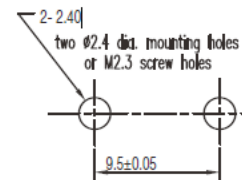
Standard Size

Circuit Diagram



SCHEMATIC

Mounting Holes

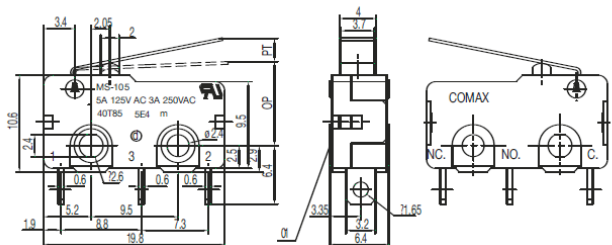


PIERCING PLAN

KSD-MS Series Small Size Snap-acting Switches

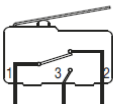
PART NUMBER

MS-105A01-01



Standard Size

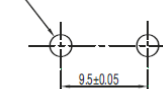
Circuit Diagram



SCHEMATIC

Mounting Holes

two $\varnothing 2.4$ dia. mounting holes or M2.3 screw holes



PIERCING PLAN

Specifications

- CONTACT ARRANGEMENT: SPDT
- CONTACT RATING: 5 A @ 125 VAC / 3 A @ 250 VAC
- OPERATING LIFE: 1,000,000 cycles without load
6,000 cycles with load UL
- INITIAL CONTACT RESISTANCE: 100 m Ω max.
- INSULATION RESISTANCE: 100 M Ω min. @ 500 VDC
- DIELECTRIC STRENGTH: 1000 VAC (50-60 Hz)
- OPERATING TEMPERATURE: -40°C to + 85°C
- OPERATING FORCE: 65 \pm 20 gf
- PRE-TRAVEL (PT): 3.0 mm max.
- OVERTRAVEL: 1.0 mm max.
- OPERATING POSITION (OP): 9.40 \pm 1.0 mm

Materials

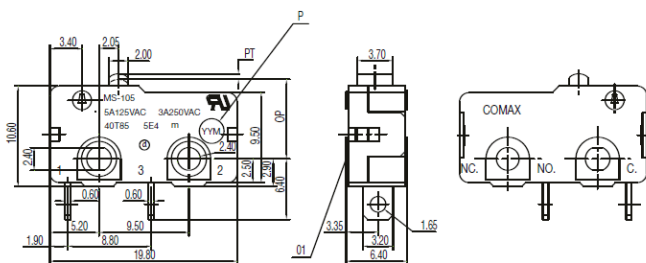
- COVER: PBT (UL94V-0)
- HOUSING: PBT (UL94V-0)
- KNOB: PBT (UL94V-0)
- TERMINALS: Silver plated

NOTE: Specifications and materials listed above are for switches with standard options. For information on specific and custom switches, consult Customer Service Center.

Snap-acting

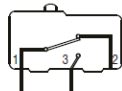
PART NUMBER

MS-105B01



Standard Size

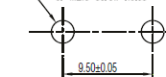
Circuit Diagram



SCHEMATIC

Mounting Holes

two $\varnothing 2.4$ dia. mounting holes or M2.3 screw holes



PIERCING PLAN

Specifications

- CONTACT ARRANGEMENT: SPST
- CONTACT RATING: 5 A @ 125 VAC / 3 A @ 250 VAC
- OPERATING LIFE: 1,000,000 cycles without load
6,000 cycles with load UL
- INITIAL CONTACT RESISTANCE: 100 m Ω max.
- INSULATION RESISTANCE: 100 M Ω min. @ 500 VDC
- DIELECTRIC STRENGTH: 1000 VAC (50-60 Hz)
- OPERATING TEMPERATURE: -40°C to + 85°C
- OPERATING FORCE: 230 \pm 50 gf
- PRE-TRAVEL (PT): 0.6 mm max.
- OVERTRAVEL: 0.5 mm max.
- OPERATING POSITION (OP): 8.40 \pm 0.40 mm

Materials

- COVER: PBT (UL94V-0)
- HOUSING: PBT (UL94V-0)
- KNOB: PBT (UL94V-0)
- TERMINALS: Silver plated

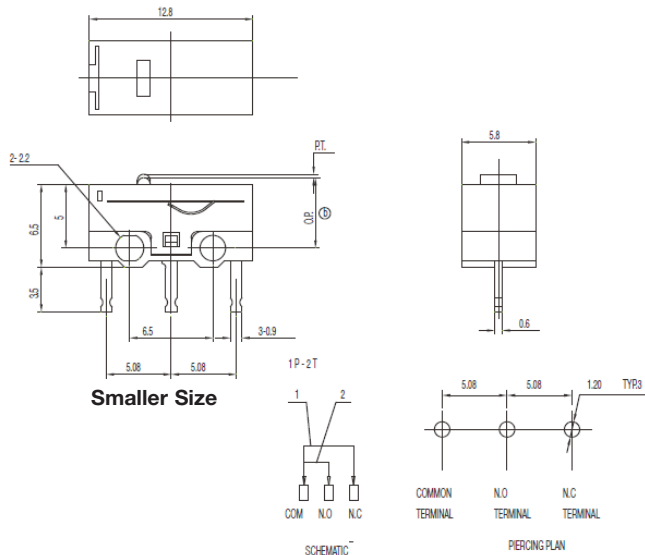
NOTE: Specifications and materials listed above are for switches with standard options. For information on specific and custom switches, consult Customer Service Center.



Dimensions are shown: Inch (mm)

Specifications and dimensions subject to change

| |
|--------------------|
| PART NUMBER |
| MS-118305 |



Specifications

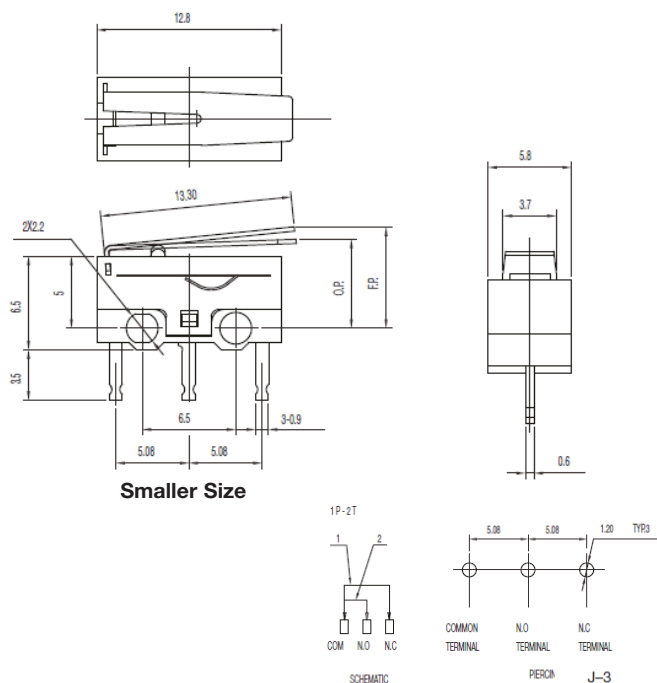
CONTACT ARRANGEMENT: SPDT
 CONTACT RATING: 0.1 A @ 30 VDC
 OPERATING LIFE: 500,000 cycles without load
 50,000 cycles with load
 INITIAL CONTACT RESISTANCE: 50 m Ω max.
 INSULATION RESISTANCE: 100 M Ω min. @ 500 VDC
 DIELECTRIC STRENGTH: 1000 VAC (50-60 Hz)
 OPERATING TEMPERATURE: -20°C to + 70°C
 OPERATING FORCE: 70 \pm 40 gf
 PRE-TRAVEL (PT): 0.50 mm max.
 OVERTRAVEL: 0.5 mm min.
 OPERATING POSITION (OP): 5.50 \pm 0.30 mm

Materials

COVER: PBT (UL94V-0)
 HOUSING: PBT (UL94V-0)
 KNOB: PBT (UL94V-0)
 TERMINALS: Silver plated

NOTE: Specifications and materials listed above are for switches with standard options. For information on specific and custom switches, consult Customer Service Center.

| |
|--------------------|
| PART NUMBER |
| MS-118305-A |



Specifications

CONTACT ARRANGEMENT: SPDT
 CONTACT RATING: 0.1 A @ 30 VDC
 OPERATING LIFE: 500,000 cycles without load
 50,000 cycles with load
 INITIAL CONTACT RESISTANCE: 50 m Ω max.
 INSULATION RESISTANCE: 100 M Ω min. @ 500 VDC
 DIELECTRIC STRENGTH: 1000 VAC (50-60 Hz)
 OPERATING TEMPERATURE: -20°C to + 70°C
 OPERATING FORCE: 25 \pm 15 gf
 OVERTRAVEL: 0.5 mm min.
 OPERATING POSITION (OP): 6.0 \pm 0.80 mm
 FREE POSITION (FP): 8.5mm max.

Materials

COVER: PBT (UL94V-0)
 HOUSING: PBT (UL94V-0)
 KNOB: PBT (UL94V-0)
 TERMINALS: Silver plated

NOTE: Specifications and materials listed above are for switches with standard options. For information on specific and custom switches, consult Customer Service Center.



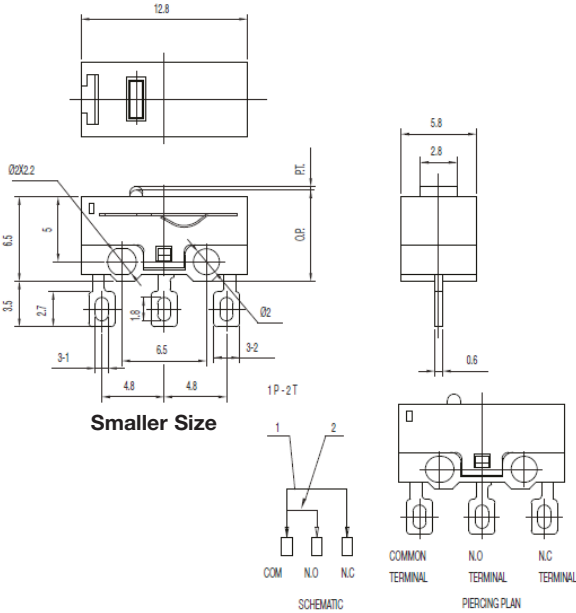
Snap-acting

KSD-MS Series Small Size Snap-acting Switches



Snap-acting

| |
|------------------|
| PART NUMBER |
| MS-118405 |



Specifications

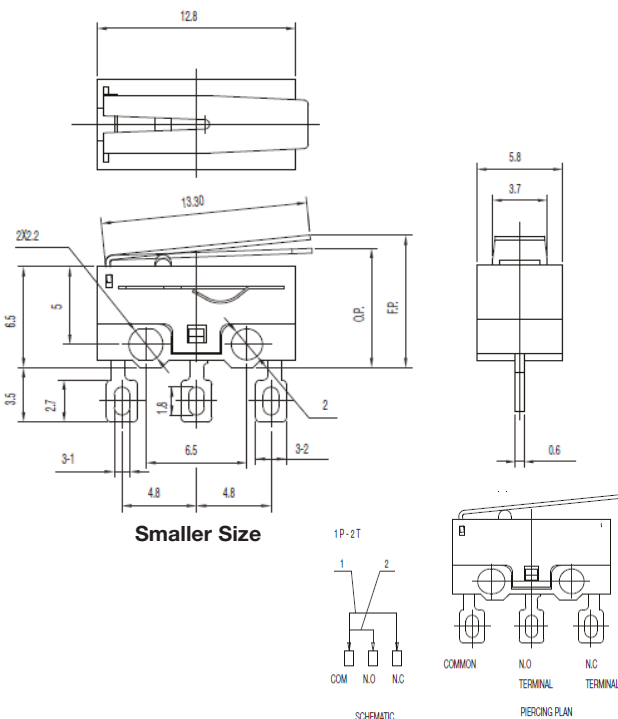
CONTACT ARRANGEMENT: SPDT
 CONTACT RATING: 0.1 A @ 30 VDC
 OPERATING LIFE: 500,000 cycles without load
 50,000 cycles with load
 INITIAL CONTACT RESISTANCE: 50 mΩ max.
 INSULATION RESISTANCE: 100 MΩ min. @ 500 VDC
 DIELECTRIC STRENGTH: 1000 VAC (50-60 Hz)
 OPERATING TEMPERATURE: -20°C to + 70°C
 OPERATING FORCE: 70 ± 40 gf
 PRE-TRAVEL (PT): 0.50 mm max.
 OVERTRAVEL: 0.5 mm min.
 OPERATING POSITION (OP): 7.0 ± 0.30 mm

Materials

COVER: PBT (UL94V-0)
 HOUSING: PBT (UL94V-0)
 KNOB: PBT (UL94V-0)
 TERMINALS: Silver plated

NOTE: Specifications and materials listed above are for switches with standard options. For information on specific and custom switches, consult Customer Service Center.

| |
|--------------------|
| PART NUMBER |
| MS-118405-A |



Specifications

CONTACT ARRANGEMENT: SPDT
 CONTACT RATING: 0.1 A @ 30 VDC
 OPERATING LIFE: 500,000 cycles without load
 50,000 cycles with load
 INITIAL CONTACT RESISTANCE: 50 mΩ max.
 INSULATION RESISTANCE: 100 MΩ min. @ 500 VDC
 DIELECTRIC STRENGTH: 1000 VAC (50-60 Hz)
 OPERATING TEMPERATURE: -20°C to + 70°C
 OPERATING FORCE: 25 ± 15 gf
 OVERTRAVEL: 0.5 mm min.
 OPERATING POSITION (OP): 7.5 ± 0.80 mm
 FREE POSITION (FP): 10 mm max.

Materials

COVER: PBT (UL94V-0)
 HOUSING: PBT (UL94V-0)
 KNOB: PBT (UL94V-0)
 TERMINALS: Silver plated

NOTE: Specifications and materials listed above are for switches with standard options. For information on specific and custom switches, consult Customer Service Center.



Dimensions are shown: Inch (mm)
 Specifications and dimensions subject to change