

KSD-SSW Series

Surface Mount Mini Size 2 Pole Snap-acting Switches



Features/Benefits

- Surface mount terminations
- IP67
- Redundant contacts
- Change over time <15ms
- Top and side actuation
- Low acoustics

Typical Applications

- Automotive, ASIL related applications (electronic parking brake, by-wire functions)

Specifications

FUNCTION: momentary action
 CONTACT ARRANGEMENT: 2 change over contacts = DPDT
 SWITCHING MODE: non shorting
 TERMINAL: SMD terminals

Environmental

OPERATING TEMPERATURE: -40°C to 85°C
 STORAGE TEMPERATURE: -40°C to 85°C
 SEALING: IP67

Mechanical

Type	Force (N)	Operating life* (cycles)	Travel (mm)
SSW115S01 R370	2.0 +/- 1	Up to 300 000	1.2

* Under Max. electrical load

SHEAR FORCE RESISTANCE: 40N
 SIDE ACTUATION: cam angle at 40°

Process

SOLDERING: Depending on the application, this component is suited to the following methods:
 - Infrared Reflow Soldering in accordance with C&K product specification
 TERMINALS: Silver plated

Packaging

Reel containing 370 pieces
 Reel dimensions according to EIA RS481. External diameter 380 mm

NOTE: This datasheet is describing main product characteristics. It cannot be considered as a contractual document for design in and subject to change without prior notice. We recommend contacting your closest sales representative to obtain contractual specifications. Product compliance to final application requirement remains customer responsibility.

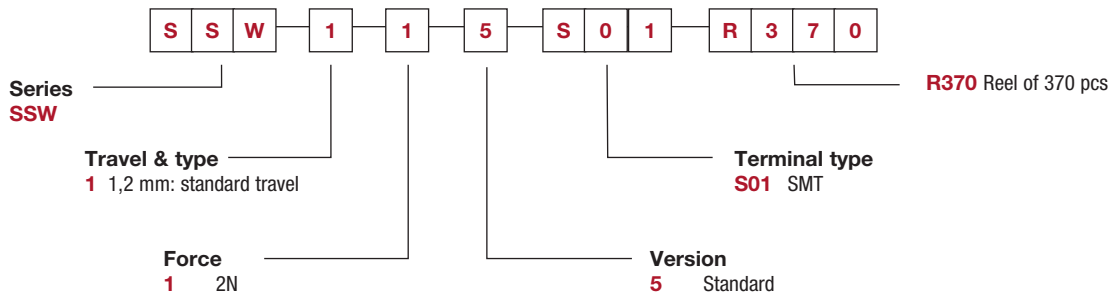
Specifications

MAXIMUM POWER: 0.36 W
 MAXIMUM VOLTAGE: 18 VDC
 MINIMUM VOLTAGE: 5 V
 MAXIMUM CURRENT: 20 mA
 MINIMUM CURRENT: 1 mA
 DIELECTRIC STRENGTH (50 Hz, 1min.): > 250 Vrms
 CHANGEOVER TIME: < 15 ms
 INSULATION RESISTANCE (100 V): > 100 MΩ
 CONTACT RESISTANCE initial: 100 mΩ

How To Order

Our easy build-a-switch concept allows you to mix and match options to create the switch you need. To order, select desired option from each category and place it in the appropriate box.

For any part number different from those listed above, please consult your local representative.



NOTE: other versions available upon request. Please consult your customer service.



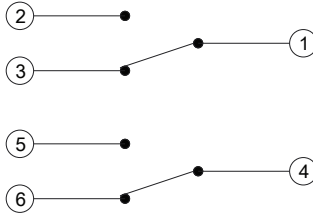
Dimensions are shown: mm

Specifications and dimensions subject to change

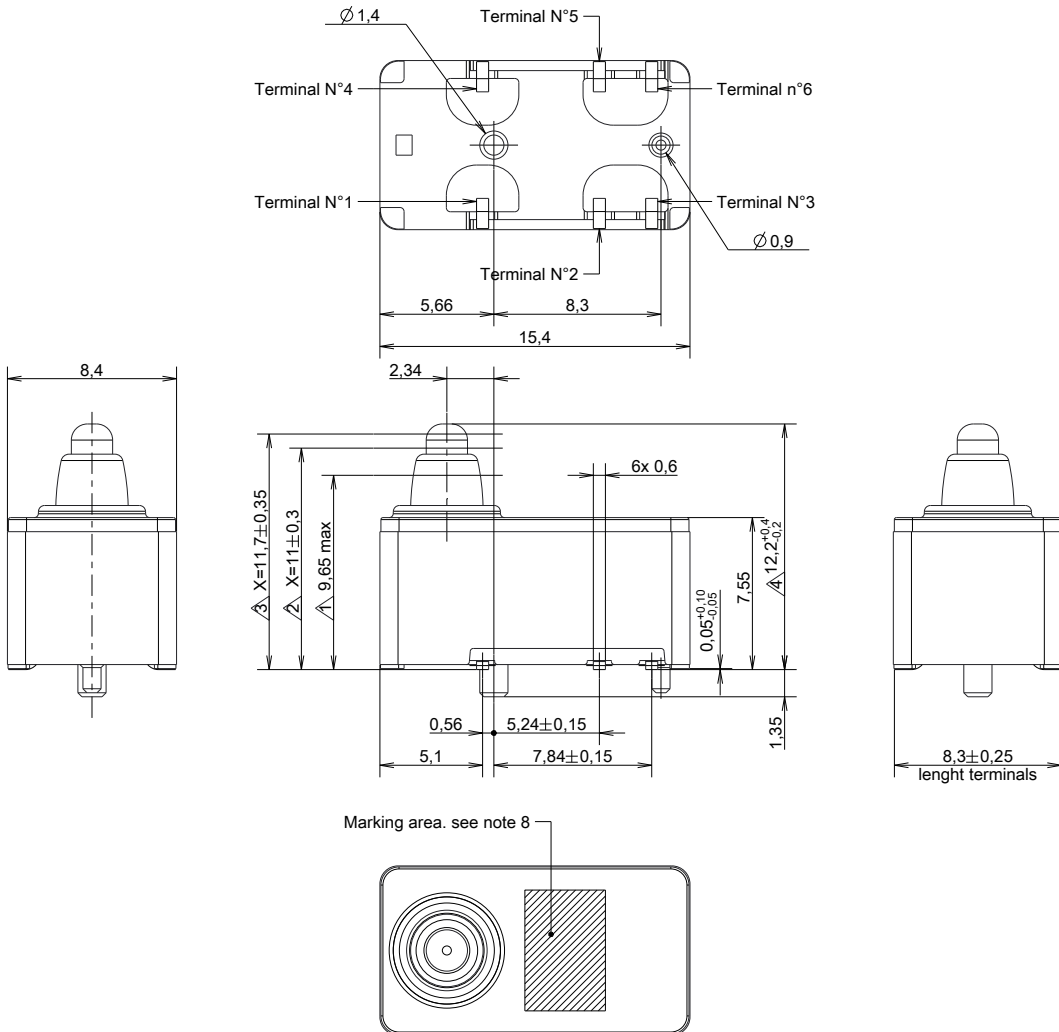
TYPE CONFIGURATION

Type	Actuator height (mm)	Terminal 1-3 / 4-6 ON Terminal 1-2 / 4-5 OFF (mm)	Terminal 1-3 / 4-6 OFF Terminal 1-2 / 4-5 ON (mm)	Minimum height (mm)
1	12.2 + 0.4 /- 0.2	11.7 +/- 0.35	11.0 +/- 0.3	9.65

ELECTRICAL ARRANGEMENT



DIMENSIONS

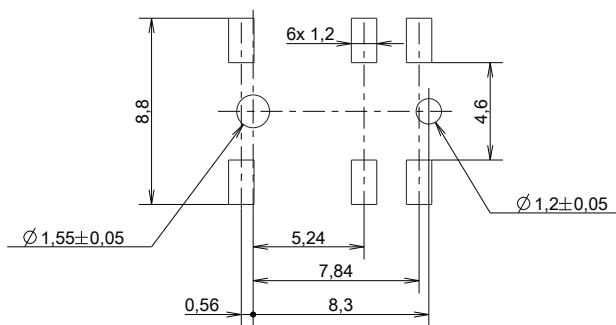


Snap-acting



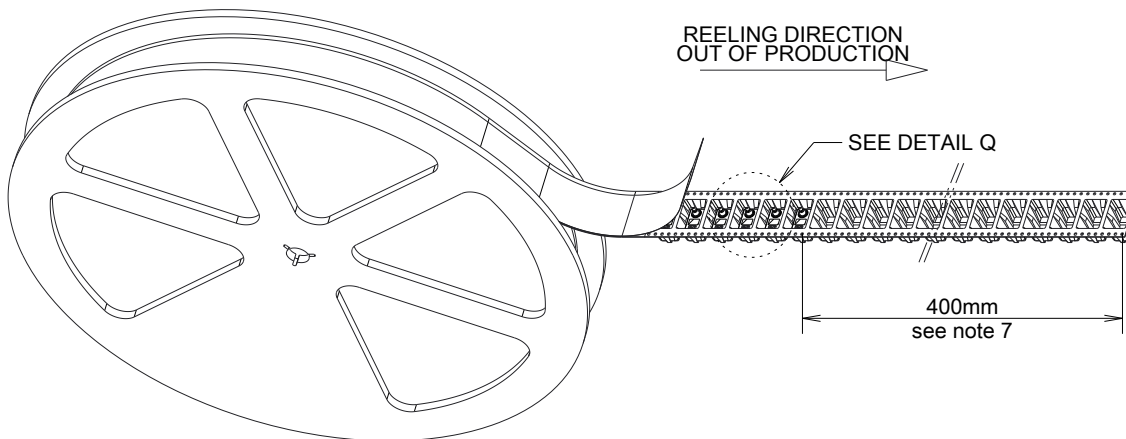
First Angle Projection
Dimensions are shown: Inches (mm)
Specifications and dimensions subject to change

RECOMMENDED PCB LAYOUT

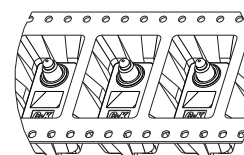


TAPE & REEL

PACKAGING OF SWITCHES



- NOTES : 5 Quantity per reel 370 pcs.
 6 Trailer length 160mm (10 cavities).
 7 Loader length 400mm (25 cavities).



DETAIL Q
 SCALE (1/1)

Snap-acting



First Angle
 Projection

Dimensions are shown: mm
 Specifications and dimensions subject to change