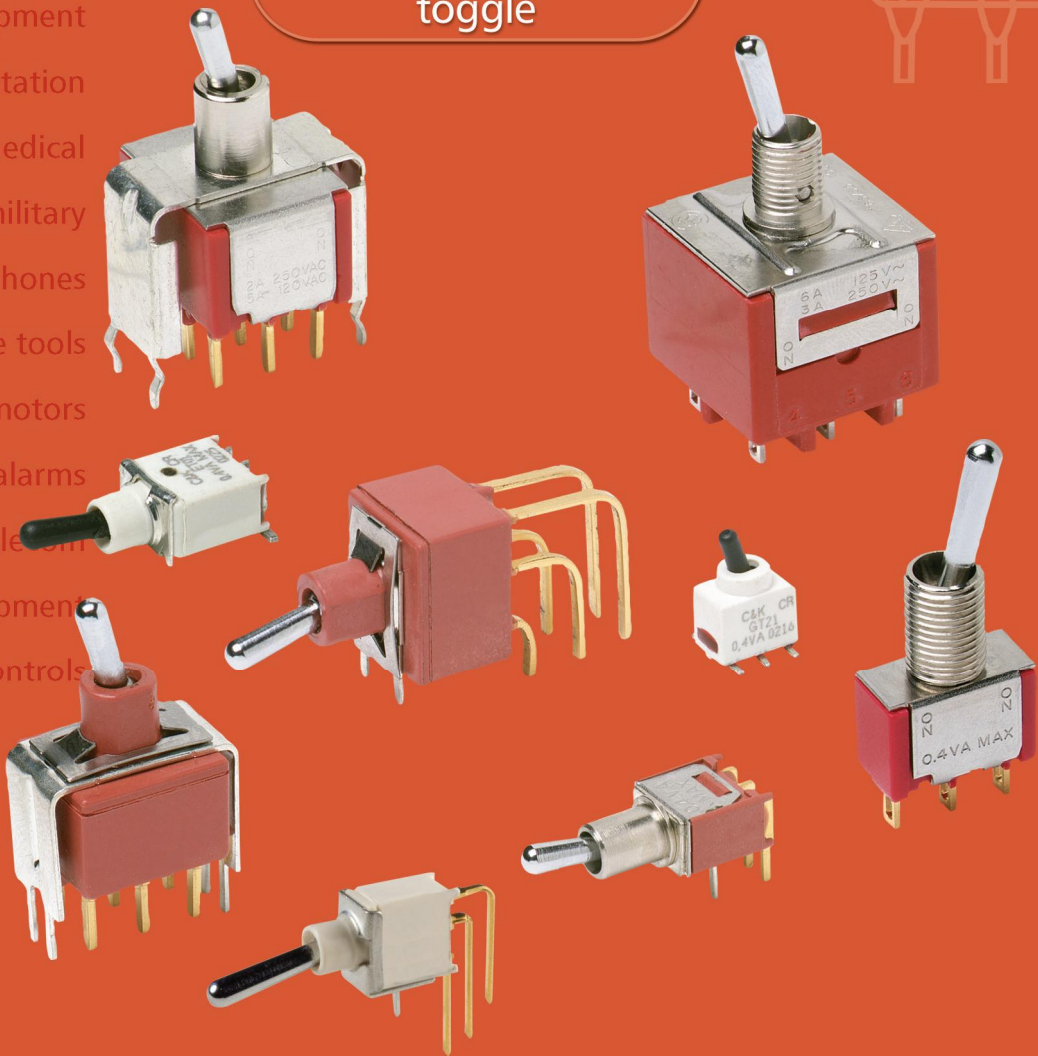


audio
automotive
aerospace
communication devices
consumer appliances
consumer electronics
datacom
data storage
handheld devices
industrial
industrial equipment
instrumentation
medical
military
mobile phones
portable tools
pumps & motors
security alarms
telecom
test equipment
thermostatic controls

KSD

SWITCH CONNECTOR



toggle

KSD

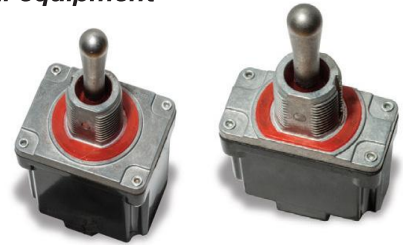
SWITCH CONNECTOR

Features/Benefits

- **IP66/IP68 versatile rating to withstand harsh outdoor environments, intense, wet weather, wind blown rain, dirt**
- **UL 61058-1 certified has global acceptance with no additional testing needed**
- **Integrated panel seal for extra protection**
- **Superior oil and fuel resistance**
- **High strength, heat resistant housing designed for demanding applications subjected to vibration and harsh conditions**

Typical Applications

- **Off-road, Construction/Agricultural vehicles**
- **Material handling equipment**
- **Articulating, scissor, and bucket lift controls**
- **Outdoor industrial equipment**
- **Lift gate control:**



Specifications

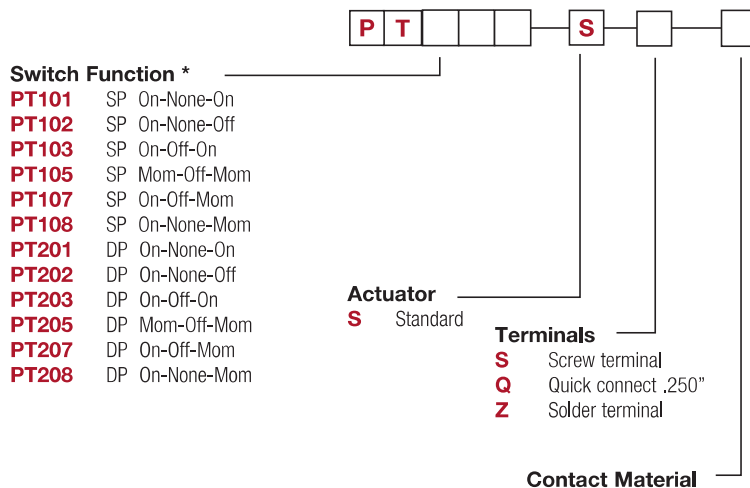
UL ELECTRICAL RATINGS:	UL 61058-1
MAINTAINED FUNCTIONS:	15A GP, 277VAC 50/60Hz T85 15(4)A, 277VAC 50/60Hz T85 1/2 hp, 125VAC 50/60Hz T85 1 hp, 250VAC 50/60Hz T85
MOMENTARY FUNCTIONS:	10A GP, 277VAC 50/60Hz T85 10(4)A, 277VAC 50/60Hz T85 1/4hp, 125VAC 50/60Hz T85 1/2 hp, 250VAC 50/60Hz T85
ELECTRICAL LIFE:	10,000 cycles
DC ELECTRICAL RATINGS:	Resistive Loads
ALL FUNCTIONS:	Up to 25A, 24VDC 0.75A, 125VDC 0.5A, 250VDC
MAINTAINED FUNCTIONS:	15A, 28VDC
MOMENTARY FUNCTIONS:	10A, 28VDC
DIELECTRIC STRENGTH:	2500V min. initial (terminal to toggle)
INSULATION RESISTANCE:	1000 MΩ min. initial
CONTACT RESISTANCE:	50 mΩ max. initial(terminal to toggle)
OPERATING AND STORAGE TEMPERATURE:	-40°C to +85°C
IP RATINGS:	IP66/IP68 Versatile

Materials

CASE:	Thermoset
ACTUATOR:	Stainless Steel
PIVOT PIN:	Stainless Steel
BUSHING:	Zinc Die Cast
SEAL:	Silicone
MOVEABLE CONTACT(S):	Copper alloy, silver plated
BUTTON:	Silver Cadmium
TERMINALS:	Brass for Quick connect, silver plated brass for solder and screw terminals
HARDWARE:	Hex nut & locking ring: brass, nickel plated Screws: brass Lock washer: brass, nickel plated
PACKAGING:	Trays

Build-A-Switch

To order, simply select desired option from each category and place in the appropriate box. Available options are shown and described on pages F-53 thru F-56. For additional options not shown in catalog, consult Customer Service Center.



F

Toggle

Dimensions are shown: mm
Specifications and dimensions subject to change

KSD-PT Series Sealed Power Toggle Switch

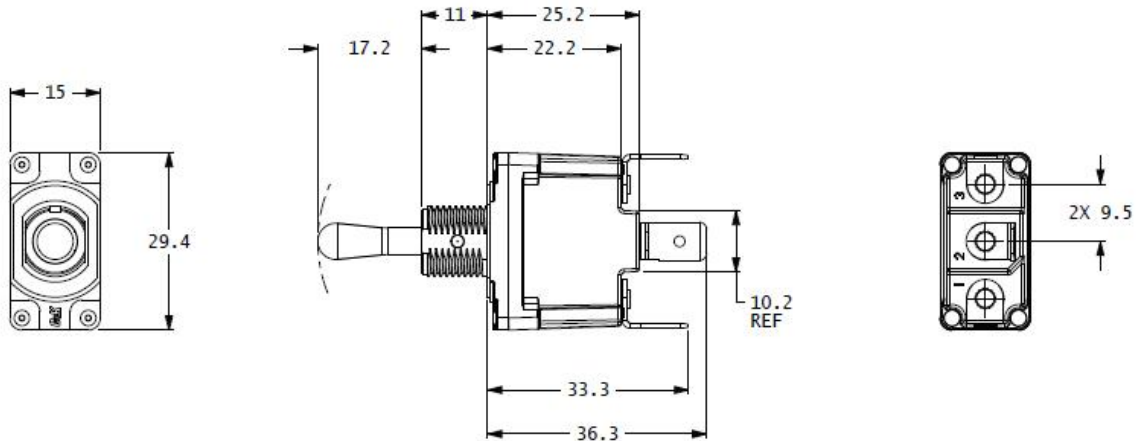
NEW

KSD
SWITCH CONNECTOR

SP

NO. POLES	MODEL NO.	SWITCH FUNCTION			CONNECTED TERMINALS			SCHEMATIC
		POS.1	POS.2	POS.3	POS.1	POS.2	POS.3	
SP	PT101	ON	NONE	ON	2-3	N/A	2-1	
	PT102*	ON	NONE	OFF	2-3	N/A	OPEN	
	PT103	ON	OFF	ON	2-3	OPEN	2-1	
	PT105	MOM	OFF	MOM				
	PT107	ON	OFF	MOM	2-3	N/A	2-1	
	PT108	ON	NONE	MOM				

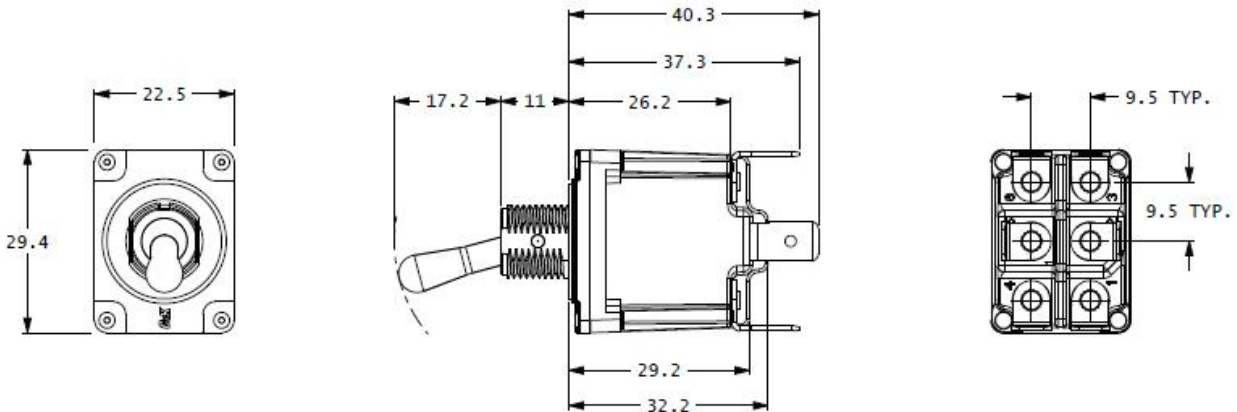
* PT102 OMIT TERMINAL 1



DP

NO. POLES	MODEL NO.	SWITCH FUNCTION			CONNECTED TERMINALS			SCHEMATIC
		POS.1	POS.2	POS.3	POS.1	POS.2	POS.3	
DP	PT201	ON	NONE	ON	2-3, 5-6	N/A	2-1, 4-5	
	PT202*	ON	NONE	OFF	2-3, 5-6	N/A	OPEN	
	PT203	ON	OFF	ON	2-3, 5-6	OPEN	2-1, 4-5	
	PT205	MOM	OFF	MOM				
	PT207	ON	OFF	MOM	2-3, 5-6	N/A	2-1, 4-5	
	PT208	ON	NONE	MOM				

* PT202 OMIT TERMINAL 1 AND 4

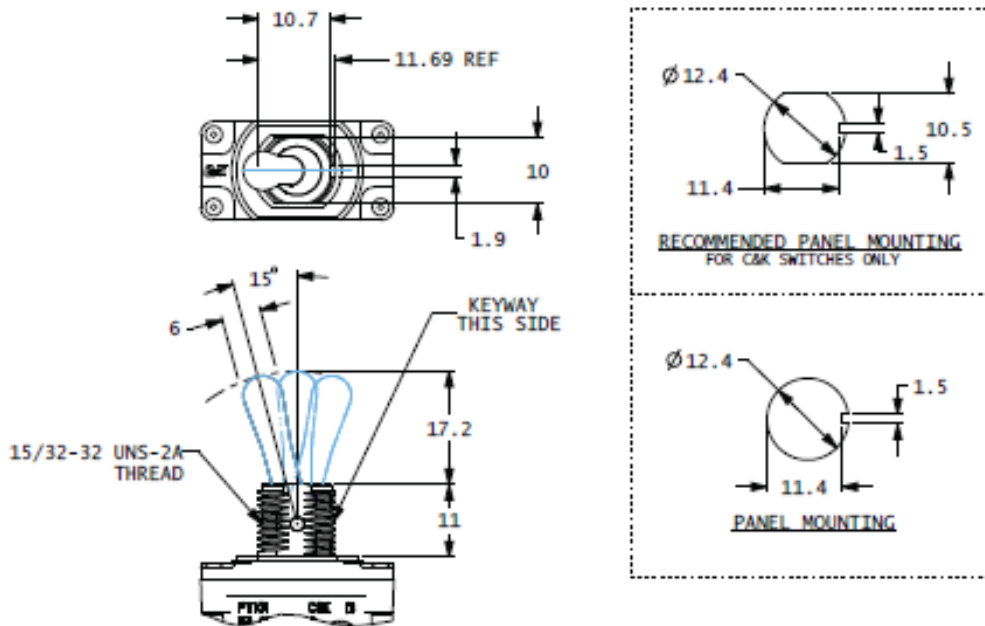


Dimensions are shown: mm
Specifications and dimensions subject to change

www.bodongkaiguan.net

ACTUATOR

S STANDARD

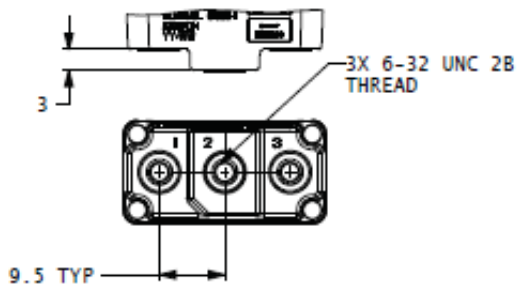


TERMINALS

S SCREW TERMINAL

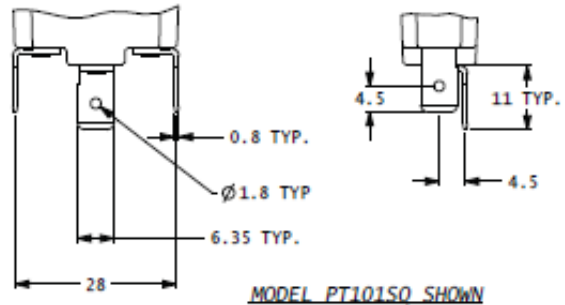
Q QUICK CONNECT

SP



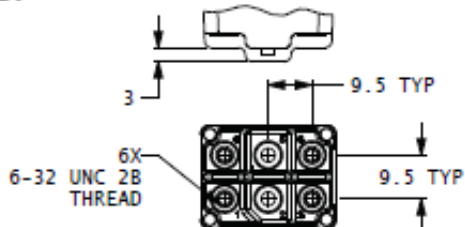
MODEL PT101SS SHOWN

SP



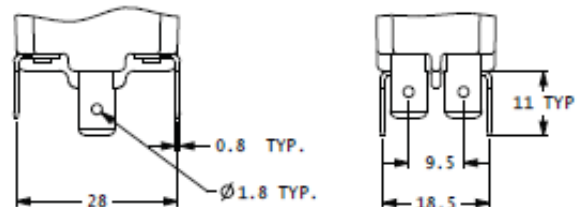
MODEL PT101SQ SHOWN

DP



MODEL PT201SS SHOWN

DP



MODEL PT201SQ SHOWN



F

Toggle

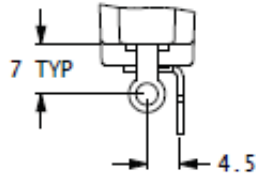
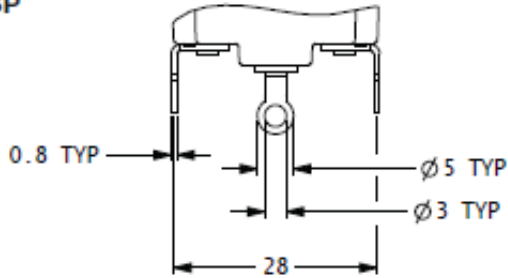
KSD-PT Series Sealed Power Toggle Switches

NEW

KSD
SWITCH CONNECTOR

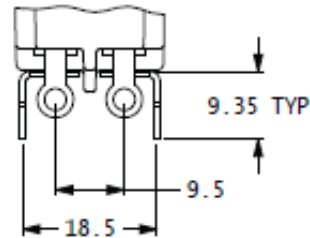
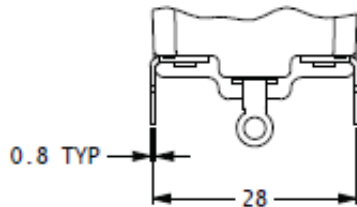
Z SOLDER TERMINAL SP

SP



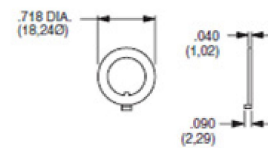
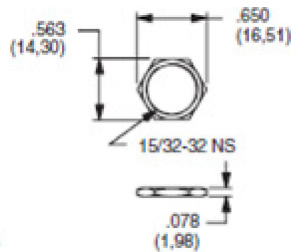
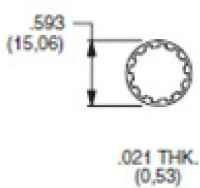
MODEL PT101SZ SHOWN

DP



MODEL PT201SZ SHOWN

MOUNTING HARDWARE



PART NO.
700302202 NICKEL PLATED

PART NO.
707100201 NICKEL PLATED

PART NO.
707200201 NICKEL PLATED WITH KEYWAY

Note: Standard hardware shipped with each switch is 1 pc each



F

Toggle

Dimensions are shown: mm
Specifications and dimensions subject to change

www.bodongkaiguan.net

Toggle Switch Product Selection Guide

Toggles									
Series	7000	Military	E	ET	T	GT	9000	PT	ILT
Switch Type	Miniature	Miniature	Miniature	Subminiature	Subminiature	Ultraminiature	Power	Sealed power	Power
Poles/Throws	SPDT, DPDT, 3PDT, 4PDT	SPDT, DPDT	SPDT, DPDT, 3PDT	SPST, SPDT, DPDT	SPST, SPDT, DPDT	SPST, SPDT, DPST, DPDT	DPDT	SPST, DPST	SPST
Maximum Current Silver/Gold	5 Amps	5 Amps	7.5 Amps/ 5 Amps	3 Amps/ 2 Amps	3 Amps/ 2 Amps	0.4 VA	10 Amps	25 Amps	20 Amps
Process Sealed			•	•		•		•	
PCB Mount Options									
Vertical	•	•	•	•	•	•	•		
Right Angle	•	•	•	•	•	•			
Vertical Right Angle	•	•	•	•	•	•	•		
Surface Mount Options									
Vertical						•			
Right Angle				•		•			
Panel Mount Options									
Rear Mount	•	•	•		•		•	•	•
Termination Options									
PCB Thru-hole	•	•	•	•	•	•	•		
Wire Wrap	•		•	•	•				
Solder Lug	•	•	•		•		•	•	
Quick Connect	•		•				•	•	•
Other Available Options									
Support Brackets	•	•	•	•	•	•	•		•
Snap-in Retention	•		•	•					•
ESD Protection	•		•	•	•				•
Tape & Reel				•		•			
Bushing Options									
10-48					•				
1/4-40	•	•	•		•		•		
15/32	•						•	•	
M6P 0.75 (Metric)	•								
Page No.	F-3	F-17	F-22	F-30	F-37	F-43	F-50	F-55	F-59



F

Toggle