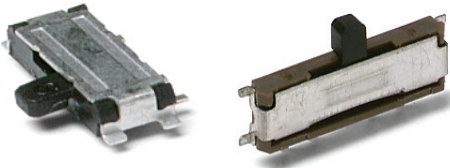


KSD-PCM Series Ultraminiature Surface Mount Slide Switches



Features/Benefits

- Ultraminiature surface mount
- Low profile
- SPDT & SP3T models
- RoHS compliant

Typical Applications

- Computer peripherals & network products
- Telecommunication products
- Test & measurement equipment

Specifications

CONTACT RATING: 0.3A @ 6 VDC.
 ELECTRICAL LIFE: 10,000 cycles.
 CONTACT RESISTANCE: 70 m Ω max.
 INSULATION RESISTANCE: 100 M Ω min. @ 500V.
 DIELECTRIC STRENGTH: 500 VAC min.
 OPERATING TEMPERATURE: -20°C to +85°C for PCM12SMTR.
 OPERATING TEMPERATURE: -10°C to +85°C for PCM13SMTR.
 SOLDERABILITY: 255C max. solder temperature.
 PACKAGING: Tape & reel.

Materials

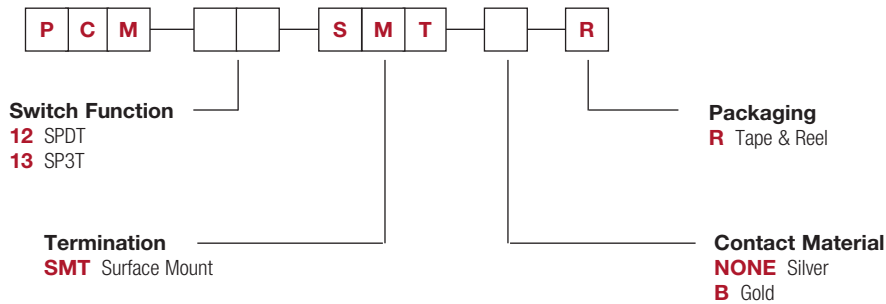
CASE: PPA
 COVER: Stainless steel.
 SLIDER: Nylon 4/6
 CONTACTS: Copper alloy silver or gold plated
 TERMINALS: Copper alloy, silver or gold plated

NOTE: All models RoHS compliant and compatible with all options.

NOTE: Specifications and materials listed above are for switches with standard options. For information on specific and custom switches, consult Customer Service Center.

How To Order

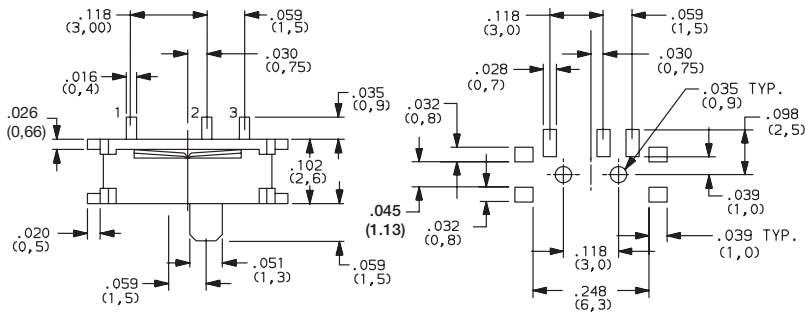
Our easy build-a-switch concept allows you to mix and match options to create the switch you need. To order, select desired option from each category and place it in the appropriate box.



KSD-PCM Series Ultraminiature Surface Mount Slide Switches

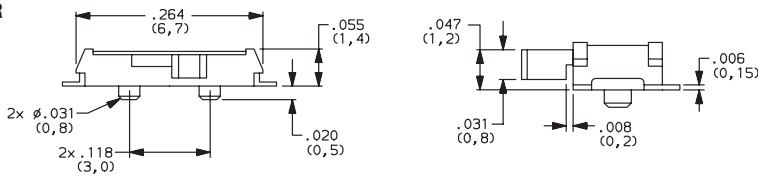


PC MOUNTING



PART NUMBER	SWITCH FUNCTION	
	POS. 1	POS. 2
PCM12SMTR	ON	ON
CONN. TERMINALS	1-2	2-3
SCHMATIC	①	② ③
SPDT		

PCM12SMTR
SPDT

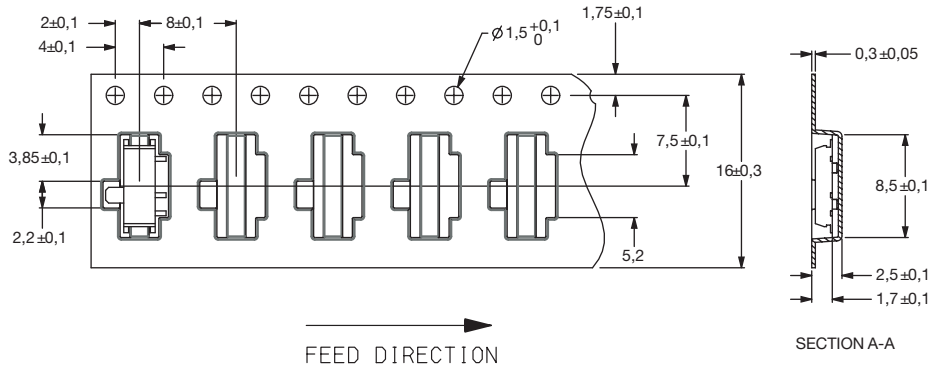


Actuator shown in pos. 2

TAPE & REEL

For part number PCM12SMTR

Quantity per reel 3500



Dimensions are shown: Inches (mm)
Specifications and dimensions subject to change

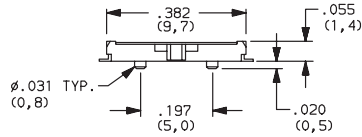
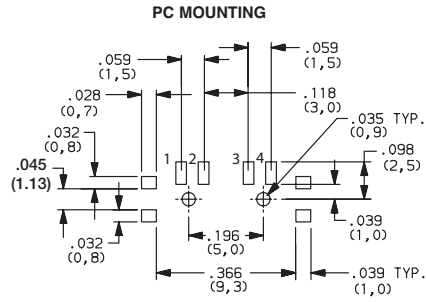
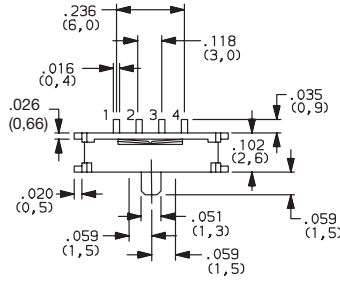
www.bodongkaiguan.net





PCM13SMTR
SP3T

PART NUMBER	SWITCH FUNCTION		
	POS. 1	POS. 2	POS. 3
PCM13SMTR	ON	ON	ON
CONN. TERMINALS	1-3	2-3	3-4
SCHMATIC			
SP3T			

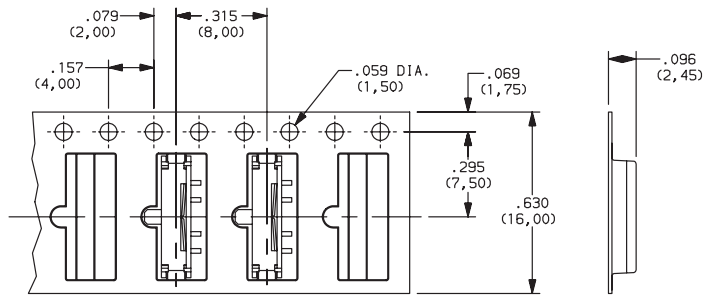


Actuator shown in pos. 2

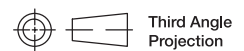
TAPE & REEL

For part number PCM13SMTR

Quantity per reel 3500



→
FEED DIRECTION



Third Angle
Projection

Dimensions are shown: Inches (mm)
Specifications and dimensions subject to change



Slide