



KSD

SWITCH CONNECTOR



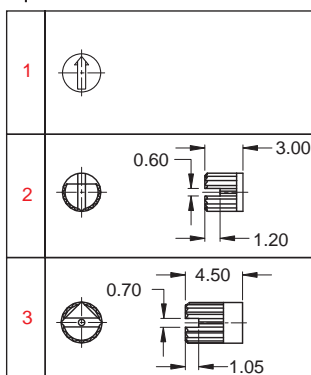
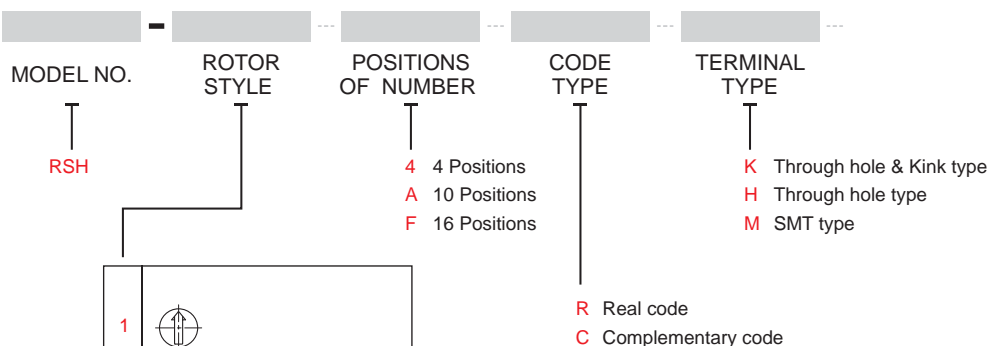
SPECIFICATIONS

- MAXIMUM RATING** : 50VDC. 100mA.
- MINIMUM RATING** : 20VDC. 10A.
- CONTACT RESISTANCE** : 100mΩ MAX.
- INSULATION RESISTANCE** : 100VDC-1000M MIN.
- WITHSTAND VOLTAGE** : 250VAC-1 MINUTE
- ROTARY TORQUE** : 40~200gf.cm
- TOTAL ROTARY ANGLE** : 360° (4,10,16 STEPS)
- LIFE CYCLE** : 10,000 STEPS

MATERIALS

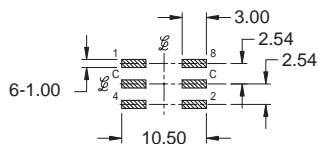
- FRAM**: PA+G
- COVER**: SUS
- ROTOR**: LCP+G
- TERMINAL**: BRASS, Au/Su PLATED
- CONTACT**: BeCu, Au PLATED
- O-RING**: SILICONE RUBBER
- SPACER**: SUS

HOW TO ORDER

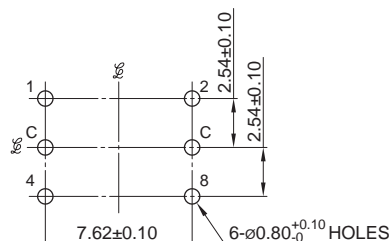


▼ P.C.B. LAYOUT

Terminal type M



Terminal type K





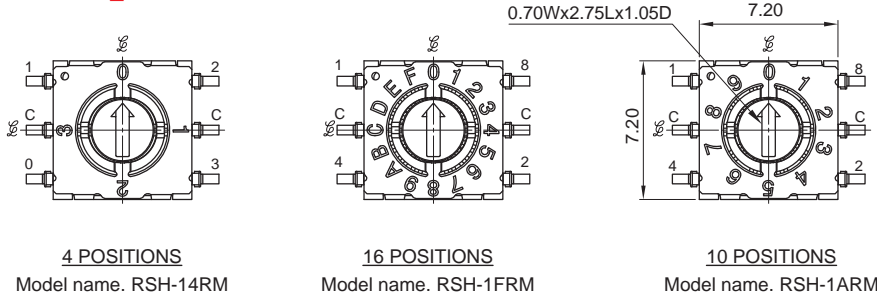
KSD-RSH(C) Series

Rotary Switches

RHS(C)
Rotary Switches

▼ DIMENSION

KSD-RSH-1_RM



CIRCUIT CHART

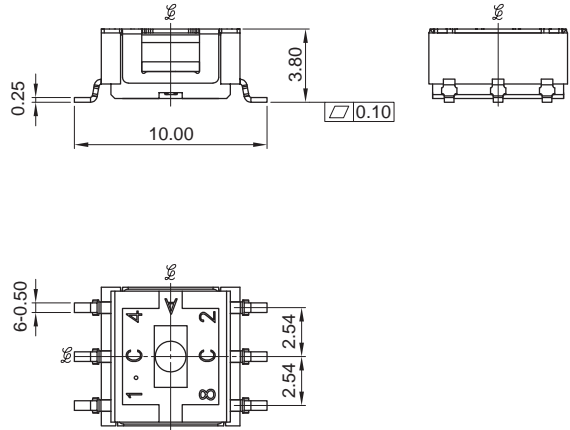
CODE		C	0	1	2	3
0	●	●				
1	●		●			
2	●			●		
3	●					●

4 POSITIONS

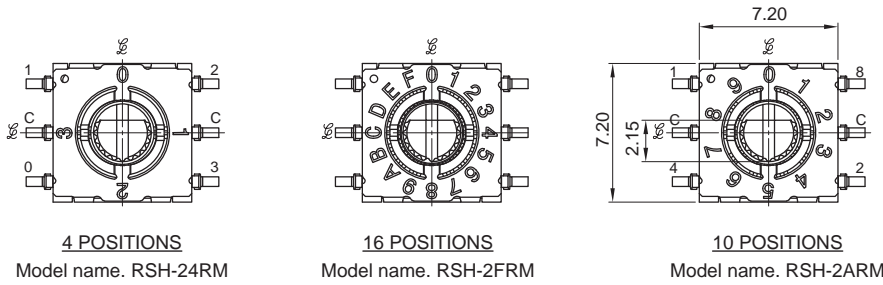
CODE		C	1	2	4	8
0	●	●				
1	●		●			
2	●			●		
3	●				●	
4	●					●
5	●		●			
6	●			●		
7	●				●	
8	●					●
9	●		●			
A	●			●		
B	●				●	
C	●					●
D	●		●			
E	●			●		
F	●				●	

10 POSITIONS

16 POSITIONS



KSD-RSH-2_RM



CIRCUIT CHART

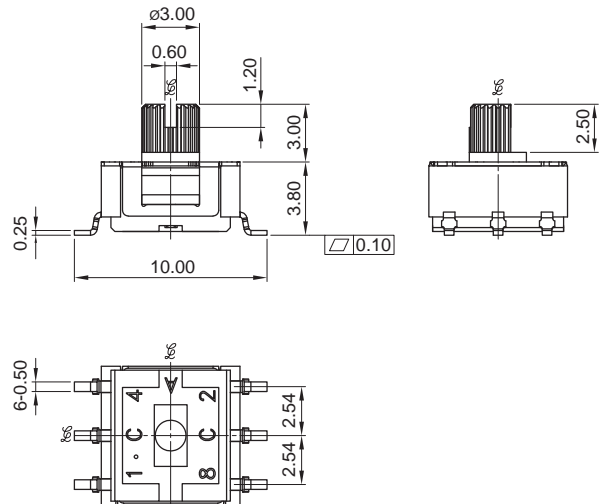
CODE		C	0	1	2	3
0	●	●				
1	●		●			
2	●			●		
3	●					●

4 POSITIONS

CODE		C	1	2	4	8
0	●	●				
1	●		●			
2	●			●		
3	●				●	
4	●					●
5	●		●			
6	●			●		
7	●				●	
8	●					●
9	●		●			
A	●			●		
B	●				●	
C	●					●
D	●		●			
E	●			●		
F	●				●	

10 POSITIONS

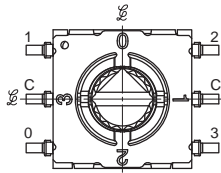
16 POSITIONS





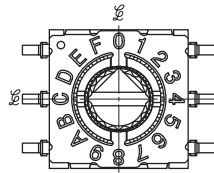
▼ DIMENSION

KSD-RSH-3_RM



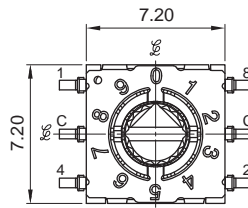
4 POSITIONS

Model name. RSH-14RM



16 POSITIONS

Model name. RSH-3FRM



10 POSITIONS

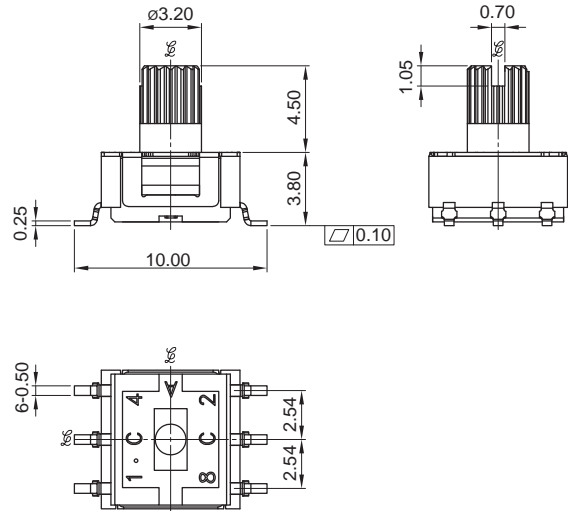
Model name. RSH-3ARM

CIRCUIT CHART

		CODE				
		C	0	1	2	3
0	●					
1	●		●			
2	●				●	
3	●					●

4 POSITIONS

		CODE				
		C	1	2	4	8
0	●					
1	●		●			
2	●			●		
3	●				●	
4	●					●
5	●					
6	●					
7	●					
8	●					
9	●					
A	●					●
B	●					
C	●					
D	●					
E	●					
F	●					



Through hole & Kink type

SPECIFICATIONS

MAXIMUM RATING : 24VDC. 25mA.

MINIMUM RATING : 3.5VDC. 10 μ A.

CONTACT RESISTANCE : 200m Ω MAX.

INSULATION RESISTANCE : 250VDC-100M MIN.

WITHSTAND VOLTAGE : 250VAC-1 MINUTE

ROTARY TORQUE : 350gf.cm MAX.

TOTAL ROTARY ANGLE : 360° (10 or 16 STEPS)

LIFE CYCLE : 20,000 STEPS

MATERIALS

FRAM: PA+G

COVER: PA+G

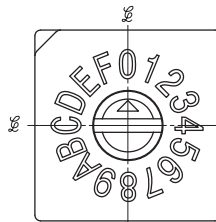
ROTOR: LCP+G

TERMINAL: BRASS, Au/Su PLATED

CONTACT: BeCu, Au PLATED

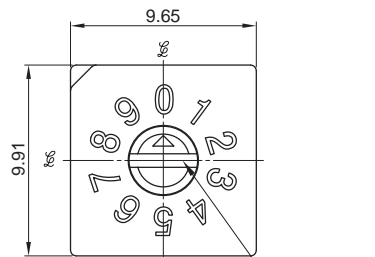
O-RING: SILICONE RUBBER

SPACER: SUS



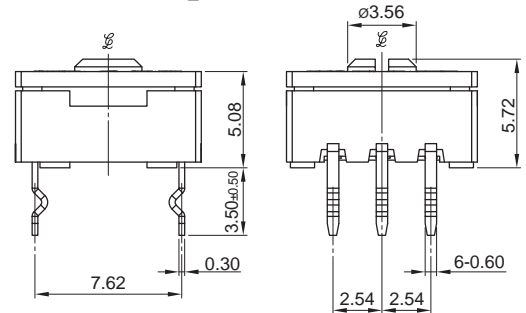
16 POSITIONS

Model name. RSH-AF_K



10 POSITIONS

Model name. RSH-AA_K



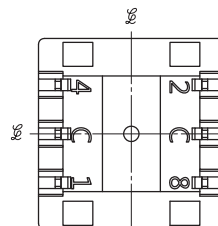
CIRCUIT CHART

		CODE				
		C	1	2	4	8
0	●					
1	●		●			
2	●			●		
3	●				●	
4	●					●
5	●					
6	●					
7	●					
8	●					
9	●					
A	●					●
B	●					
C	●					
D	●					
E	●					
F	●					

REAL CODE
RSH-A_RK

		CODE				
		C	1	2	4	8
0	●					
1	●		●			
2	●			●		
3	●				●	
4	●					●
5	●					
6	●					
7	●					
8	●					
9	●					
A	●					●
B	●					
C	●					
D	●					
E	●					
F	●					

GRAY CODE
RSH-A_GK





KSD-RSH(C) Series

Rotary Switches

KSD-RSH(C)
Rotary Switches

▼ DIMENSION

KSD-RSC-1ARR

SPECIFICATIONS

MAXIMUM RATING : 50VDC. 100mA.

MINIMUM RATING : 20VDC. 1A μ .

CONTACT RESISTANCE : 100m Ω MAX.

INSULATION RESISTANCE : 100VDC-1000M MIN.

WITHSTAND VOLTAGE : 250VAC-1 MINUTE

ROTARY TORQUE : 40~200gf.cm

TOTAL ROTARY ANGLE : 360° (10 STEPS)

LIFE CYCLE : 10,000 STEPS

MATERIALS

FRAM: PA+G

COVER: SUS

ROTOR: LCP+G

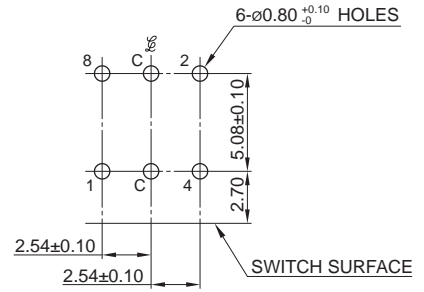
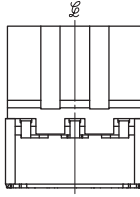
TERMINAL: PBS, Au/Su PLATED

CONTACT: BeCu, Au PLATED

O-RING: SILICONE RUBBER

SPACER: SUS

BLOCK: PA+G



CIRCUIT CHART

		CODE				
		C	1	2	4	8
POSITIONS	0	●				
	1	●	●			
	2	●		●		
	3	●	●	●		
	4	●			●	
	5	●				●
	6	●	●	●	●	
	7	●	●	●	●	
	8	●				●
	9	●	●			●

