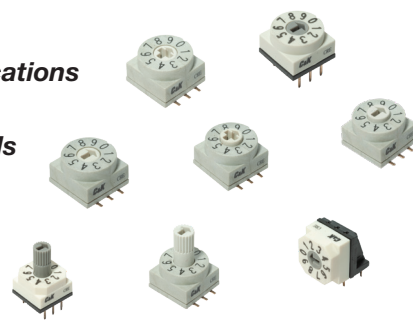


### Features/Benefits

- **Process sealed – withstands soldering and cleaning**
- **Thru-hole and surface mount models**
- **New designs with different actuators**
- **RoHS compatible and compliant**
- **New generation price competitive**
- **IP65**

### Typical Applications

- **Address switching applications**
- **Data storage devices**
- **Computer and peripherals**
- **Instrumentation**



### Specifications

CONTACT RATING: 42 V DC 150mA (switching), 200mA (non-switching)  
 MECHANICAL & ELECTRICAL LIFE: 10,000 cycles  
 INITIAL CONTACT RESISTANCE: 200 mΩ max.  
 INSULATION RESISTANCE: 100 MΩ min.  
 OPERATING TEMPERATURE: -40°C to 85°C.  
 STORAGE TEMPERATURE: -40°C to 85°C.  
 OPERATING FORCE: 700 gf max.  
 SOLDER CONDITIONS:  
 - Straight and right-angle types: Iron soldering 2s/340°C, wave soldering 5s/280°C  
 - Through-hole and SMT types: Iron soldering 2s/340°C, wave soldering: 5s/280°C, reflow soldering 10s/260°C

SOLDERABILITY: Dip and look solderability testing per C&K spec #448

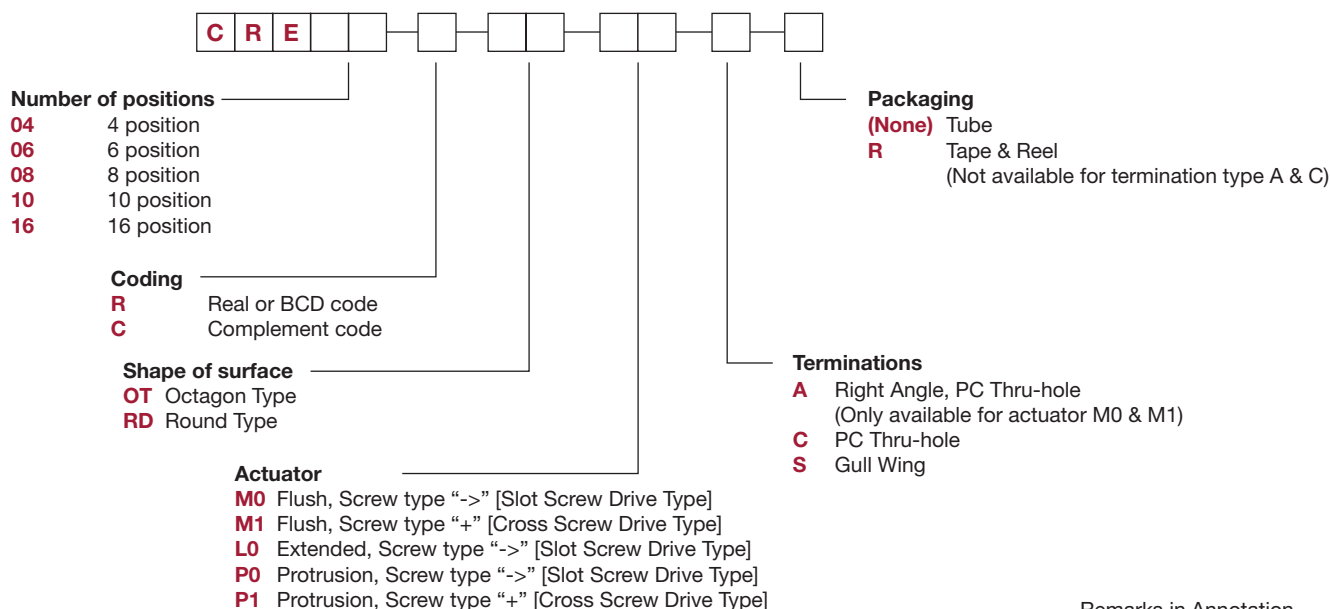
PACKAGING: Switches are supplied in rigid dispensing tubes in full-tube quantities only, this may affect order quantities. Number of switches per tube varies with model. Tape and reel packing also available with exception for the right-angle “A” type terminations.

### Materials

COVER:  
 - Straight and right-angle types: Nylon#66 (G45%)  
 - Through-hole and SMT types: LCP (G30%)  
 BASE:  
 - Straight and right-angle types: Nylon#66 (G45%)  
 - Through-hole and SMT types: LCP (G30%)  
 ACTUATOR:  
 - Straight and right-angle types: Poly Acetal  
 - Through-hole and SMT types: Nylon#66 (G45%)  
 CONTACTS: Brass with Gold nickel plating  
 TERMINALS: Brass with Gold nickel plating

### How To Order

The Build-A Switch concept allows you to mix and match options to create the switch you need. Below is a complete listing of options shown in catalog. To order, simply select desired option from each category and place in the appropriate box.



Dimensions are shown: Inch (mm)  
 Specifications and dimensions subject to change

# KSD-CRE Series 10mm DIP Coded Rotary Switches

## CODING

DIP I

### R Real Code

04 POSITION

		Real Code				
		C	1	2	4	8
04 POSITION	0	•				
	1	•	•			
	2	•		•		
	3	•			•	

06 POSITION

		Real Code				
		C	1	2	4	8
06 POSITION	0	•				
	1	•	•			
	2	•		•		
	3	•			•	
	4	•				•
	5	•	•	•	•	•

08 POSITION

		Real Code				
		C	1	2	4	8
08 POSITION	0	•				
	1	•	•			
	2	•		•		
	3	•			•	
	4	•				•
	5	•	•	•	•	•
	6	•	•	•	•	•
	7	•	•	•	•	•

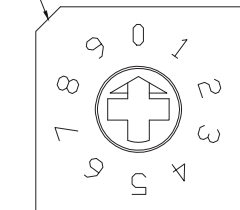
10 POSITION

		Real Code				
		C	1	2	4	8
10 POSITION	0	•				
	1	•	•			
	2	•		•		
	3	•			•	
	4	•				•
	5	•	•	•	•	•
	6	•	•	•	•	•
	7	•	•	•	•	•
	8	•	•	•	•	•
	9	•	•	•	•	•

16 POSITION

		Real Code				
		C	1	2	4	8
16 POSITION	0	•				
	1	•	•			
	2	•		•		
	3	•			•	
	4	•				•
	5	•	•	•	•	•
	6	•	•	•	•	•
	7	•	•	•	•	•
	8	•	•	•	•	•
	9	•	•	•	•	•
	A	•	•	•	•	•
	B	•	•	•	•	•
	C	•	•	•	•	•
	D	•	•	•	•	•
	E	•	•	•	•	•
	F	•	•	•	•	•

PIN 1 INDICATOR



### C Complement Code

04 POSITION

		Complement Code				
		C	1	2	4	8
04 POSITION	0		•	•	•	•
	1			•	•	•
	2				•	•
	3					•

06 POSITION

		Complement Code				
		C	1	2	4	8
06 POSITION	0		•	•	•	•
	1			•	•	•
	2				•	•
	3					•
	4		•	•	•	•
	5		•	•	•	•

08 POSITION

		Complement Code				
		C	1	2	4	8
08 POSITION	0		•	•	•	•
	1			•	•	•
	2				•	•
	3					•
	4		•	•	•	•
	5		•	•	•	•
	6		•	•	•	•
	7		•	•	•	•

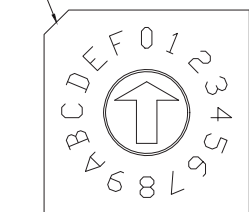
10 POSITION

		Complement Code				
		C	1	2	4	8
10 POSITION	0		•	•	•	•
	1			•	•	•
	2				•	•
	3					•
	4		•	•	•	•
	5		•	•	•	•
	6		•	•	•	•
	7		•	•	•	•
	8		•	•	•	•
	9		•	•	•	•

16 POSITION

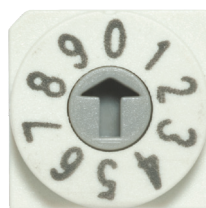
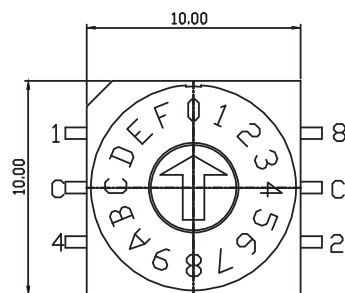
		Complement Code				
		C	1	2	4	8
16 POSITION	0		•	•	•	•
	1			•	•	•
	2				•	•
	3					•
	4		•	•	•	•
	5		•	•	•	•
	6		•	•	•	•
	7		•	•	•	•
	8		•	•	•	•
	9		•	•	•	•
	A		•	•	•	•
	B		•	•	•	•
	C		•	•	•	•
	D		•	•	•	•
	E		•	•	•	•
	F		•	•	•	•

PIN 1 INDICATOR

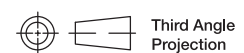
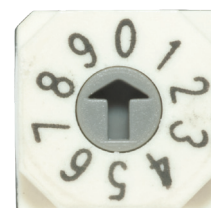
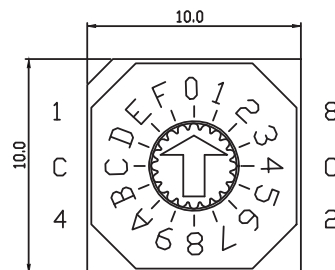


## SHAPE OF SURFACE

### RD Round Type



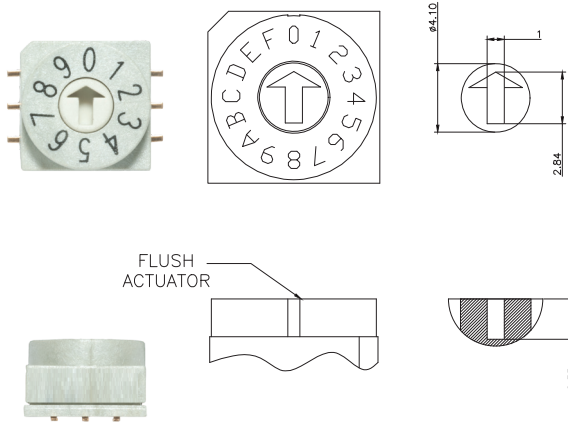
### OT Octagon Type



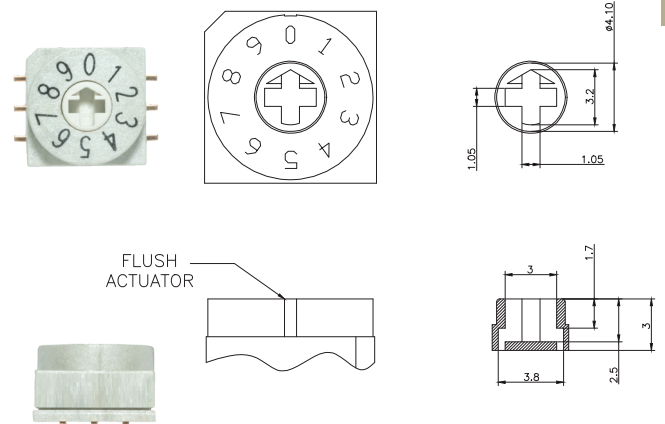
Third Angle Projection  
Dimensions are shown: Inch (mm)  
Specifications and dimensions subject to change

### ACTUATOR

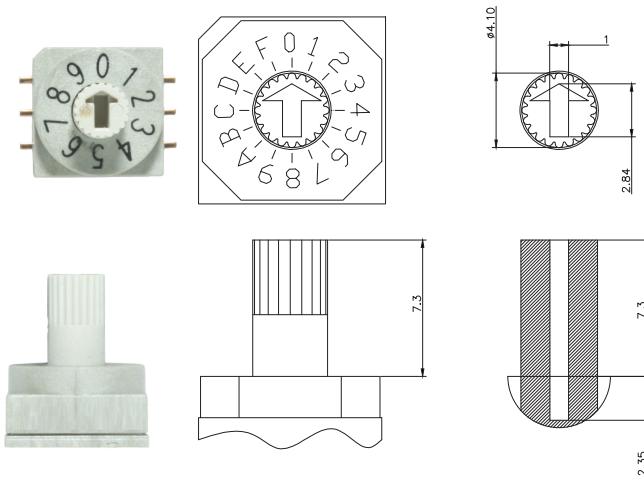
**M0** Flush, Screw type “->”



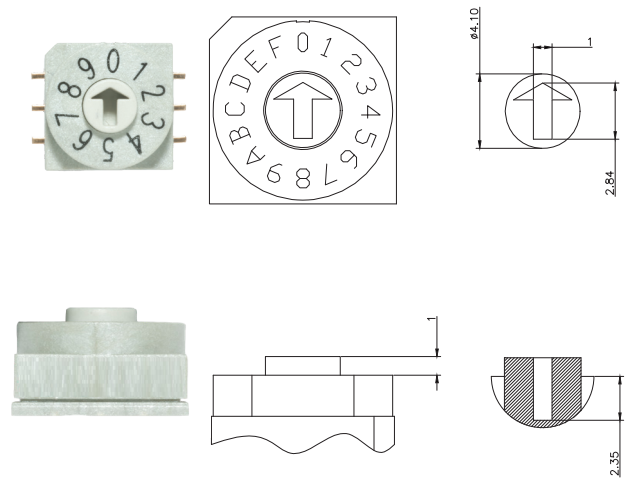
**M1** Flush, Screw type “+”



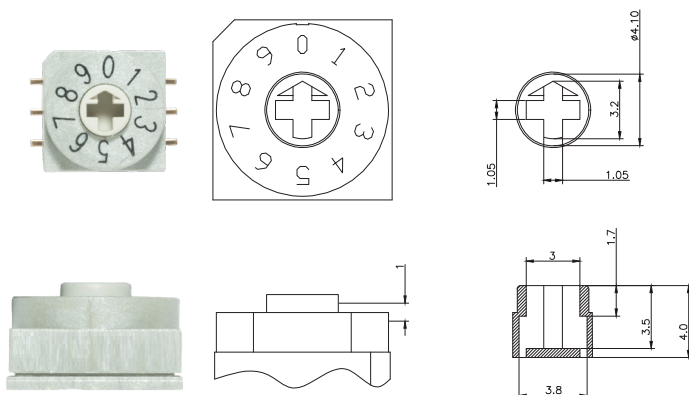
**L0** Extended, Screw type “->”



**P0** Protrusion, Screw type “->”



**P1** Protrusion, Screw type “+”



Dimensions are shown: Inch (mm)  
Specifications and dimensions subject to change

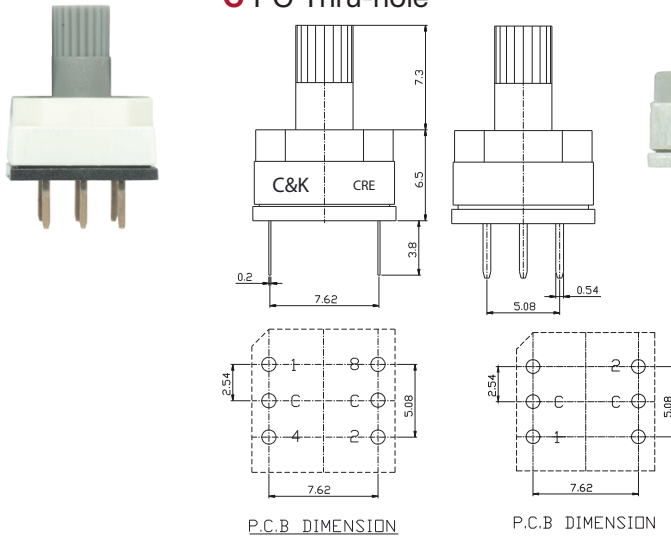
# KSD-CRE Series 10mm DIP Coded Rotary Switches



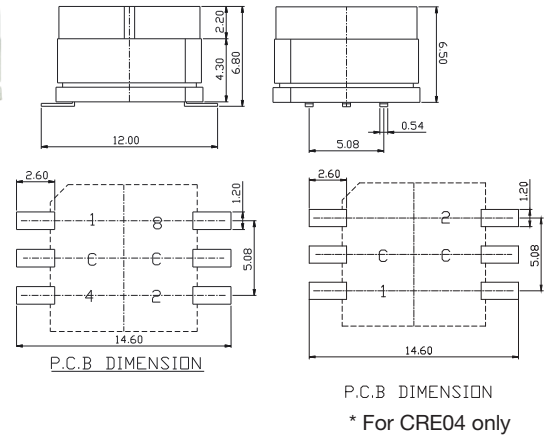
## TERMINATIONS

DIP

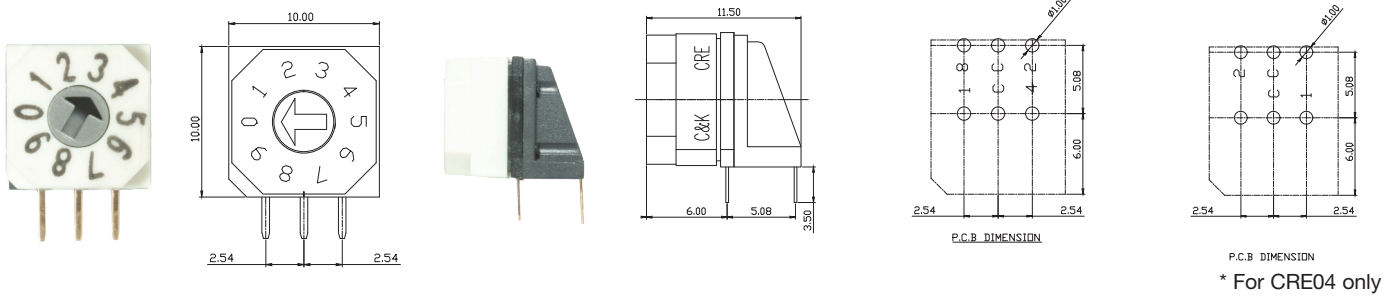
### C PC Thru-hole



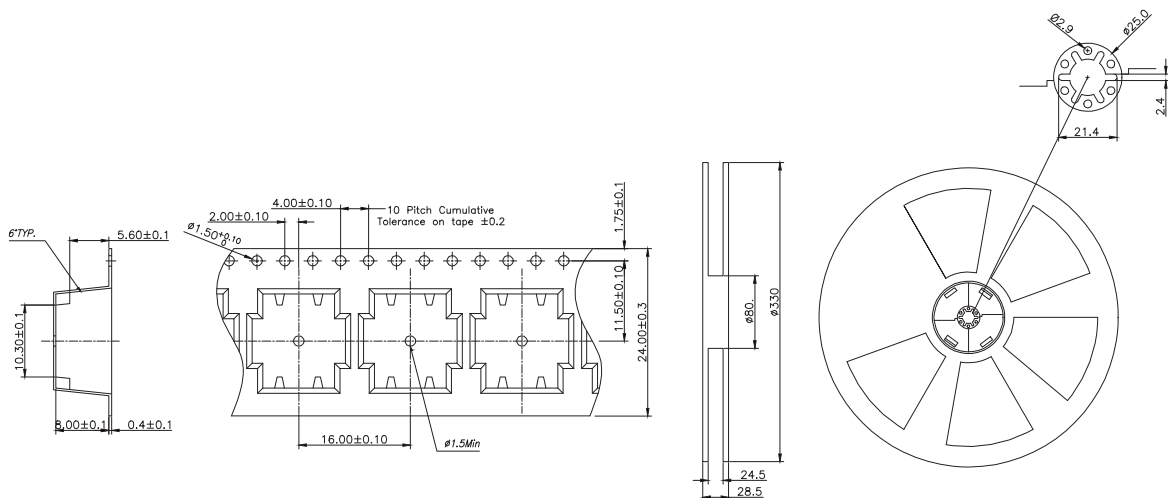
### S Gull wing



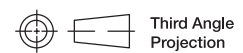
### A Right Angle Thru-hole



## TAPE & REEL



TAPE & REEL: 600 pcs



Dimensions are shown: Inch (mm)  
Specifications and dimensions subject to change