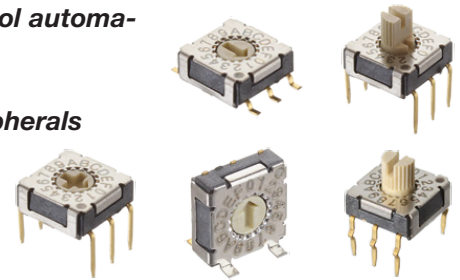


Features/Benefits

- **New generation**
- **Most compact rotary DIP switch**
- **Thru-hole, Crimped, J-Bend, Angled and Surface Mount Models**
- **New designs with different actuators**
- **IP67**
- **RoHS compatible and compliant**

Typical Applications

- **Industrial and control automation**
- **Automotive**
- **Computer and peripherals**
- **Instrumentation**
- **Security devices**



Specifications

CONTACT RATING: 100mA, DC 5V (switching)
100mA, DC 50V (non-switching)

MECHANICAL & ELECTRICAL LIFE: 10,000 cycles
INITIAL CONTACT RESISTANCE: 100 milliohms max.
INSULATION RESISTANCE: 100 megohms min.
OPERATING TEMPERATURE: -40°C to 85°C.
STORAGE TEMPERATURE: -40°C to 85°C.
OPERATING FORCE: 200 gf max.

SOLDER CONDITIONS:

- Iron soldering: C/K/S/A/J termination: 3s/350°C
- Wave soldering: C/K/A termination: 5s/280°C
- Reflow soldering: S/J termination: 10s/260°C

SOLDERABILITY: Dip and look solderability testing per C&K spec #448

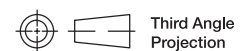
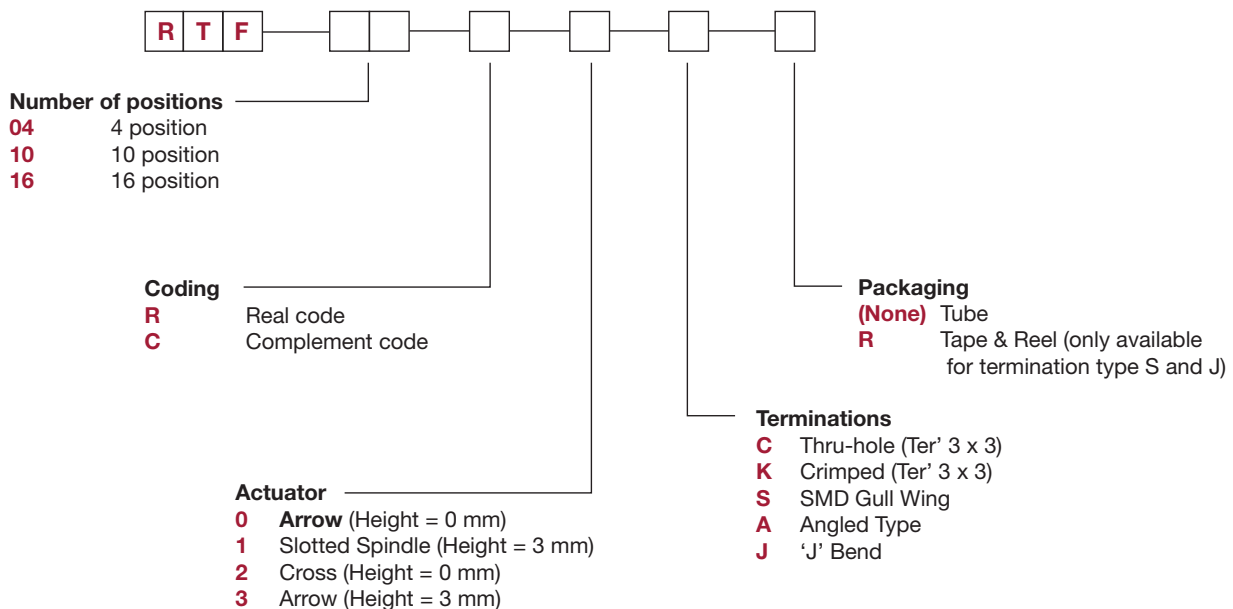
PACKAGING: Switches are supplied in rigid dispensing tubes in full-tube quantities only, this may affect order quantities. Number of switches per tube varies with model. Tape and reel packing is only available with "S" and "J" type terminations.

Materials

COVER: Stainless steel
BASE: LCP
ACTUATOR: LCP
CONTACTS: Phosphor bronze, gold plated
SPRING & GUIDE PLATE: Stainless steel
TERMINALS: Brass, gold plated
O-RING: Silicon

How To Order

The Build-A Switch concept allows you to mix and match options to create the switch you need. Below is a complete listing of options shown in catalog. To order, simply select desired option from each category and place in the appropriate box.



Dimensions are shown: Inch (mm)
Specifications and dimensions subject to change

KSD-RTF Series 7.2mm x 7.2mm Low Profile Rotary DIP Switches

CODING

R Real Code

04 POSITION

		Real Code				
		C	1	2	4	8
04 POSITION	0	●				
	1	●	●			
	2	●	●	●		
	3	●	●	●	●	

10 POSITION

		Real Code				
		C	1	2	4	8
10 POSITION	0	●				
	1	●	●			
	2	●	●	●		
	3	●	●	●	●	
	4	●	●	●	●	●
	5	●	●	●	●	●
	6	●	●	●	●	●
	7	●	●	●	●	●
	8	●	●	●	●	●
	9	●	●	●	●	●

16 POSITION

		Real Code				
		C	1	2	4	8
16 POSITION	0	●				
	1	●	●			
	2	●	●	●		
	3	●	●	●	●	
	4	●	●	●	●	●
	5	●	●	●	●	●
	6	●	●	●	●	●
	7	●	●	●	●	●
	8	●	●	●	●	●
	9	●	●	●	●	●
	A	●	●	●	●	●
	B	●	●	●	●	●
	C	●	●	●	●	●
	D	●	●	●	●	●
	E	●	●	●	●	●
	F	●	●	●	●	●

C Complement Code

04 POSITION

		Complement Code				
		C	1	2	4	8
04 POSITION	0		●	●	●	●
	1			●	●	●
	2				●	●
	3					●

10 POSITION

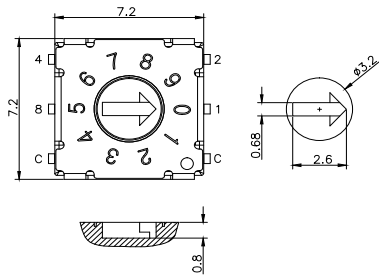
		Complement Code				
		C	1	2	4	8
10 POSITION	0		●	●	●	●
	1			●	●	●
	2				●	●
	3					●
	4					
	5					
	6					
	7					
	8					
	9					

16 POSITION

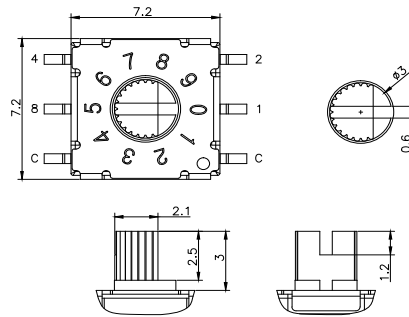
		Complement Code				
		C	1	2	4	8
16 POSITION	0		●	●	●	●
	1			●	●	●
	2				●	●
	3					●
	4					
	5					
	6					
	7					
	8					
	9					
	A					
	B					
	C					
	D					
	E					
	F					

ACTUATOR

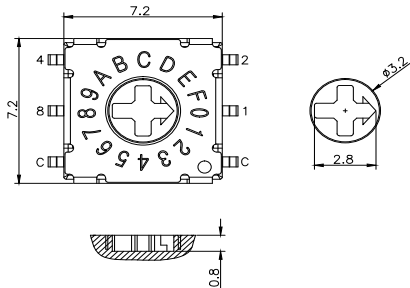
0 Arrow (Height = 0 mm)



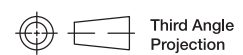
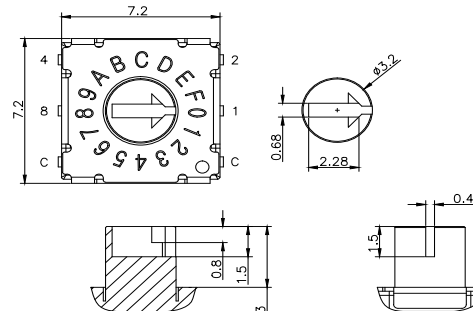
1 Slotted Spindle (Height = 3 mm)



2 Cross (Height = 0 mm)



3 Arrow (Height = 3 mm)



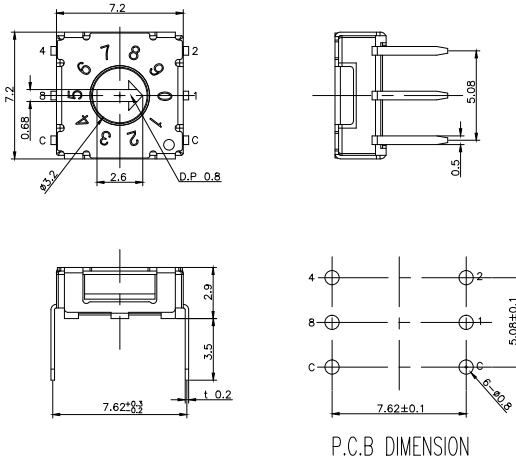
Dimensions are shown: Inch (mm)
Specifications and dimensions subject to change

TERMINATIONS

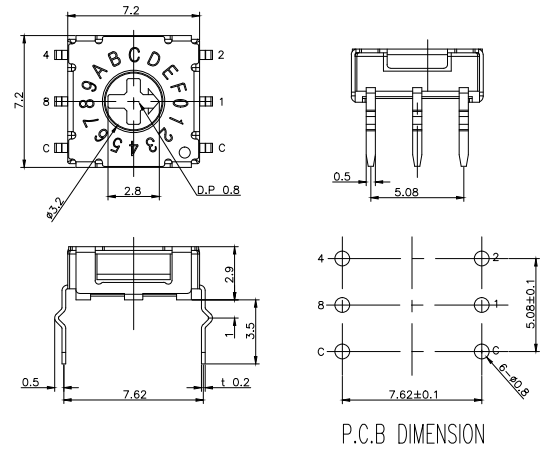


H
DIP

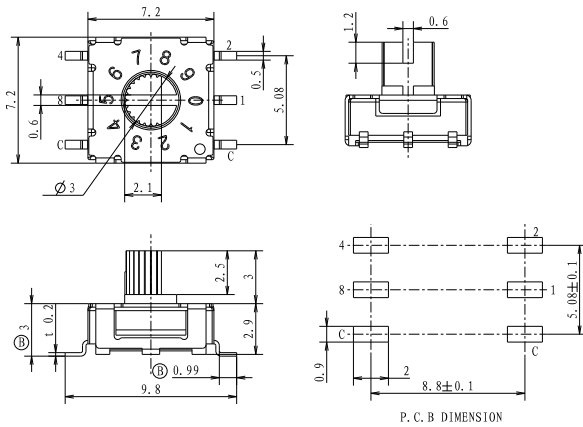
C Thru-hole



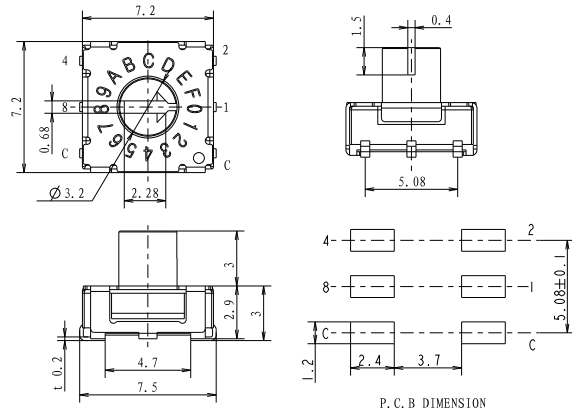
K Crimped (Ter' 3 x 3)



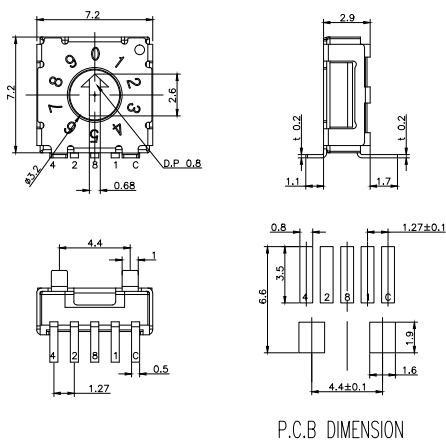
S SMD Gull Wing



J Bend SMD



A Angled Type



Dimensions are shown: Inch (mm)
Specifications and dimensions subject to change

KSD-RTF Series 7.2mm x 7.2mm Low Profile Rotary DIP Switches

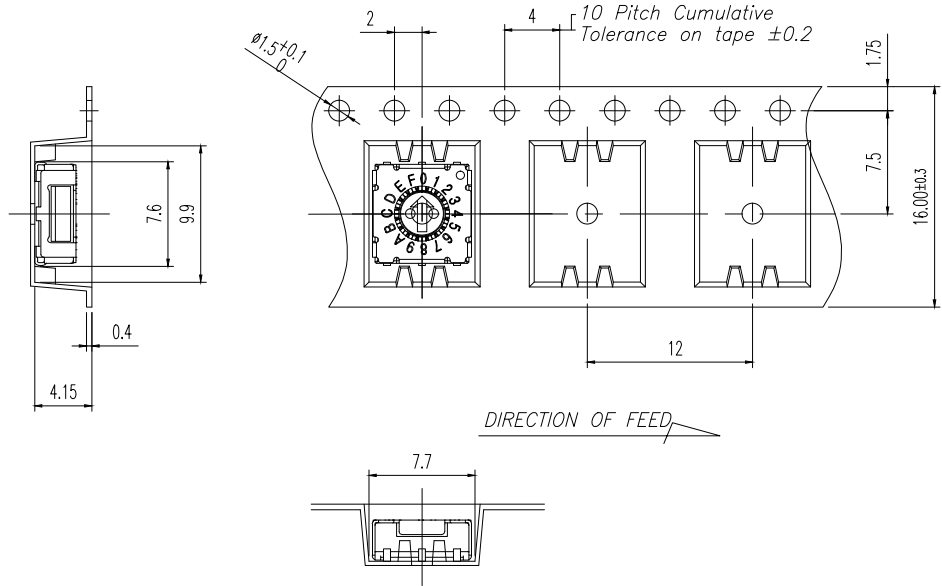


TAPE & REEL

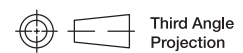
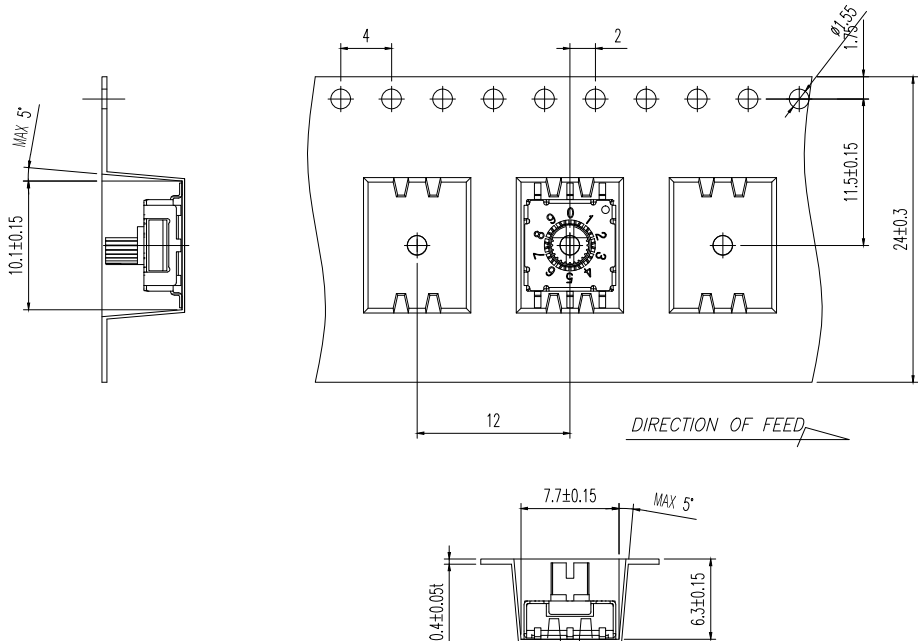


DIP

The tape and reel is applicable for
Actuator 0 or 2 with
Termination S or J
1300 pcs/reel



The tape and reel is applicable for
Actuator 1 or 3 with
Termination S or J
800 pcs/reel



Dimensions are shown: Inch (mm)
Specifications and dimensions subject to change