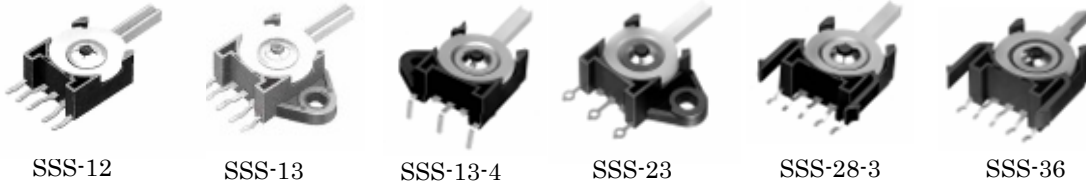


Detector Switch SSS-12 Series

Features

- ◇ Dimensions 12.4x11x5.8mm,
- ◇ Long ON travel (single side: about 27 degree)
- ◇ Wide variation as printed wiring and lead wiring, etc. are possible.
- ◇ Custom-made of the knob style is possible and please feel free to contact us beforehand.

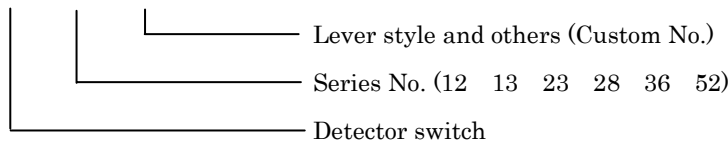


Applications

- ◇ CD, DVD, VTR
- ◇ Detection of operating direction

Product Number

SSS - [[]] - [[]]



Products Line

No	Products No.	Operating force	Travel		Terminal Type	Recommended Thickness of P.C.B	Mounting Method
		R direction L direction	OFF Duration	Total Travel			
1	SSS-12	MAX 0.69N	18 (single side 9 degree)	Single side 36 degree	Straight	1.2mm to 1.6mm	P.C.B mounting
2	SSS-13				Straight	1.2mm to 1.6mm	Screw
3	SSS-13-4				Light angle	1.6mm	Screw
4	SSS-23				For lead wiring	-	Screw
5	SSS-28-3				Straight	1.6mm	Snap in
6	SSS-36				Straight	1mm	Snap in

Typical Specifications

Item	Specifications
Circuit-Position	1 pole - 2 positions
Type	Normally Open
Ratings (max.) (Resistive load)	100mA 12V DC
Contact resistance	100 milliohm max. (Initial)
Operating life	50,000 cycles
Operating temperature range	-20 to +70 degree Celsius
Storage temperature range	-40 to +85 degree Celsius

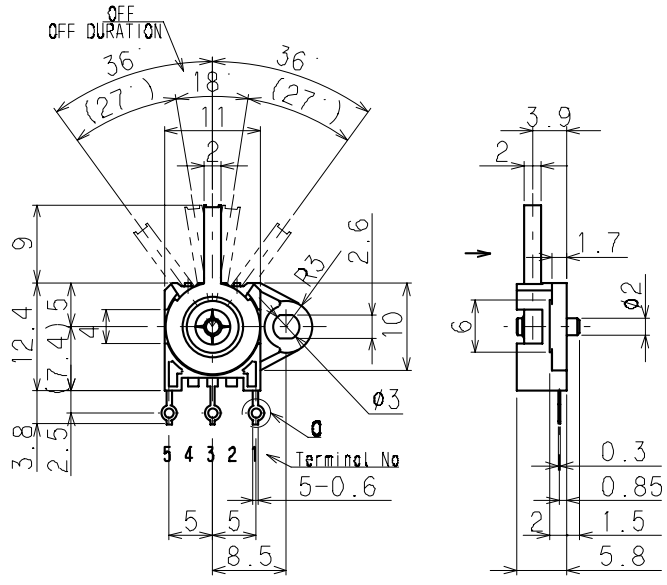
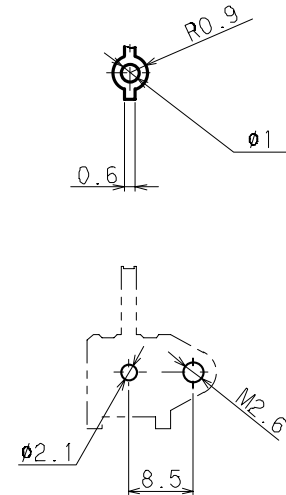
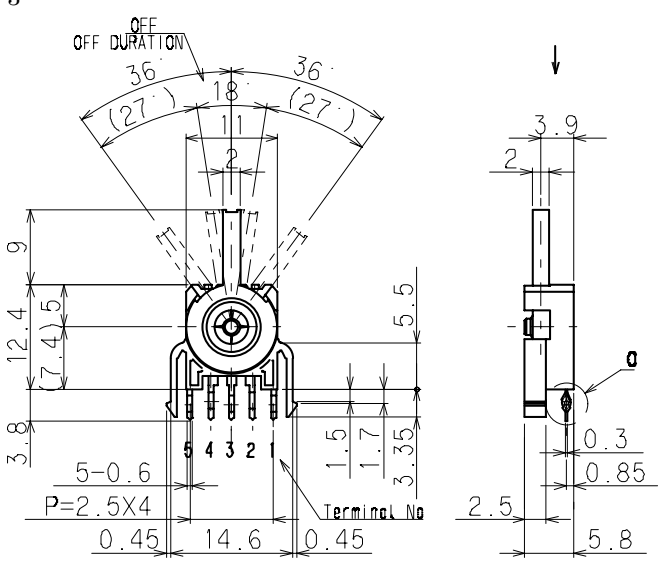
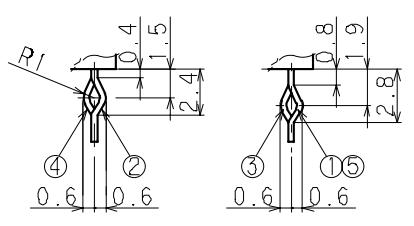
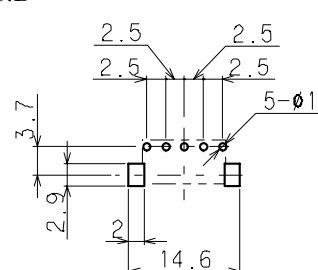
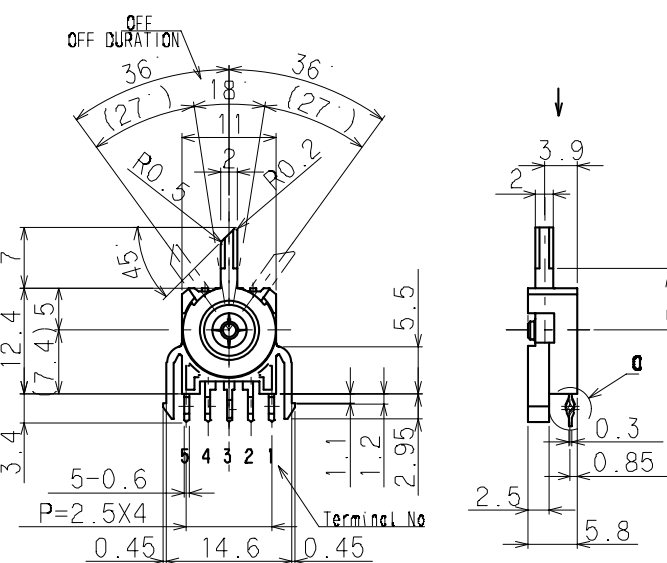
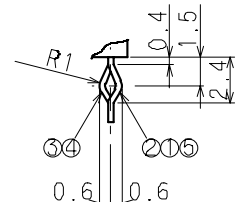
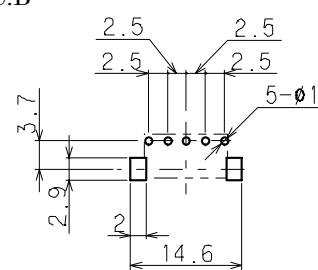
Dimensions

Unit : mm

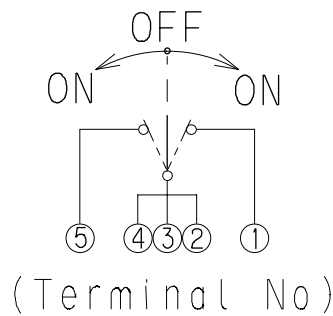
No	Style	P.C.B mounting hole Dimensions Terminal style (TOP VIEW)
1	<p>SSS-12</p>	<p>Terminal style (a)</p> <p>P.C.B</p>
2	<p>SSS-13</p>	<p>Terminal style (a)</p> <p>P.C.B</p>
3	<p>SSS-13-4</p>	<p>P.C.B</p>

Dimensions

Unit : mm

No	Style	P.C.B mounting hole Dimensions Terminal style (TOP VIEW)
4	<p>SSS-23</p>  <p>OFF DURATION</p> <p>36° (27°) 18° (27°)</p> <p>9, 12.4, 7.4, 5, 4, 3.8, 2.5, 5, 8.5, 11, 2, R3, 2.6, 10, 3, 5, 4, 3, 2, Terminal No 5-0.6, 5-0.6, 5, 5, 8.5</p> <p>3.9, 2, 1.7, 6, 2, 0.3, 0.85, 2, 1.5, 5.8</p>	<p>Terminal style (a)</p>  <p>P.C.B</p>
5	<p>SSS-28-3</p>  <p>OFF DURATION</p> <p>36° (27°) 18° (27°)</p> <p>9, 12.4, 7.4, 5, 3.8, 5-0.6, P=2.5X4, 0.45, 14.6, 0.45, 5, 4, 3, 2, Terminal No 1.5, 1.7, 3.35, 5.5</p> <p>3.9, 2, 0.3, 0.85, 2.5, 5.8</p>	<p>Terminal style (a)</p>  <p>P.C.B</p> 
6	<p>SSS-36</p>  <p>OFF DURATION</p> <p>36° (27°) 18° (27°)</p> <p>7, 12.4, 7.4, 5, 3.4, 5-0.6, P=2.5X4, 0.45, 14.6, 0.45, 5, 4, 3, 2, Terminal No 1.1, 1.2, 2.95, 5.5</p> <p>3.9, 2, 7.3, 0.3, 0.85, 2.5, 5.8</p>	<p>Terminal style (a)</p>  <p>P.C.B</p> 

□ Circuit diagram



□ Notes

1. The appearance and specifications of the product may be modified to improve its performance without prior notice.
2. This catalog shows only outline specifications. When using the product, please obtain formal specifications.
3. Please see appendix [Cautions in Using Switches].
4. This lever switch is not washable.
5. Soldering shall be done with lever at free position and take care not to attach flux on plastic portion.
6. Note that if the stress is applied to the terminals during soldering, they might cause deformation and defects in electrical performance.
7. In manual soldering, consideration should be given to apply the soldering iron to the tip of the terminal so that unusual pressure is not applied to the terminal
8. In case circuit and software design consideration against chattering and bouncing shall be taken as below.
 - Read a few times. (Ex. 5ms for 5 times)
 - Set delay time.
 - Set integral circuit.
9. As to threshold voltage, center setting is recommended.
10. Care shall be taken not to apply stress to the body of switch as it may affect the performance.
11. Please confirm the performance on actual operation by simulation with actual environment environments for high reliability.